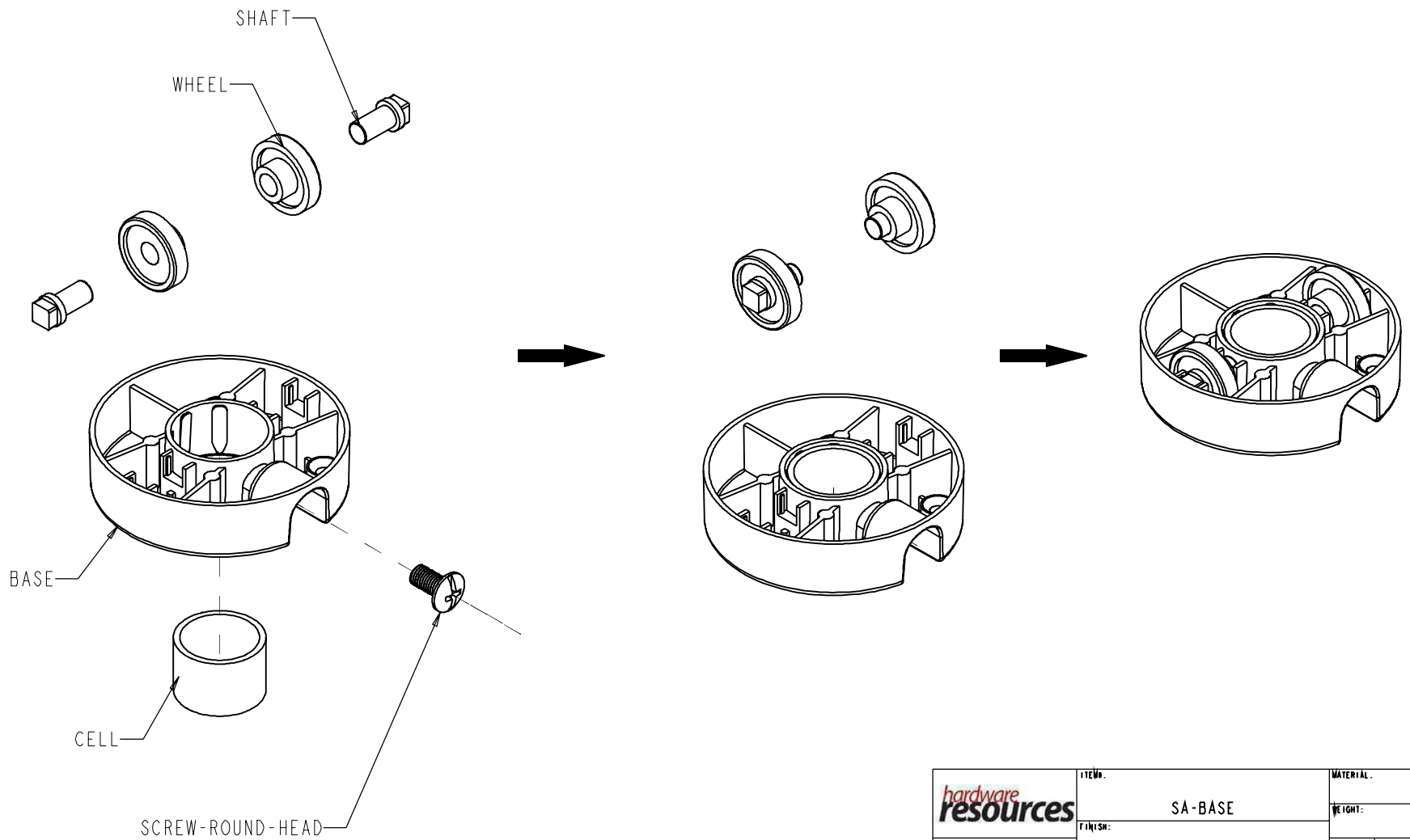


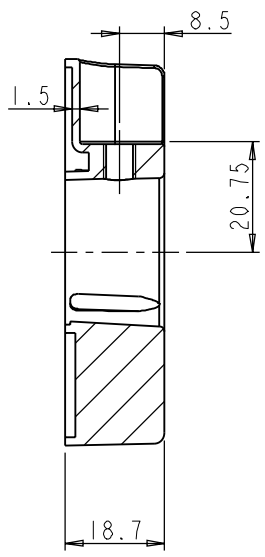
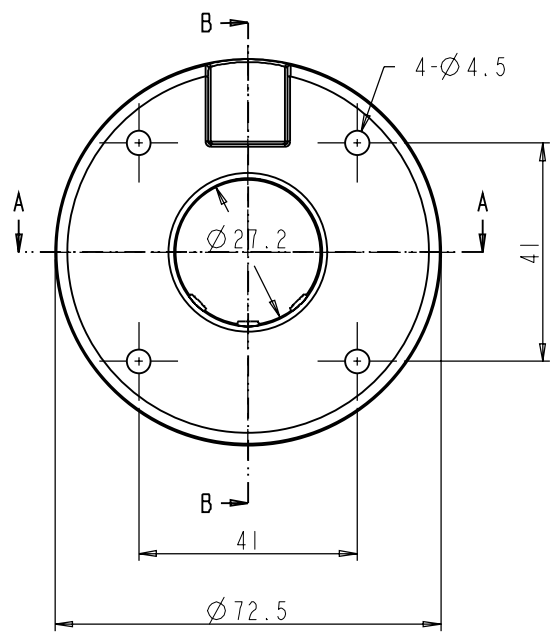
BILLS OF MATERIAL:

NO.	ITEM#	MATERIAL	QTY	UNIT WEIGHT	TOTL WEIGHT	TYPE	ASSY LEVEL
9	SA-INNER-PIPE	ASSEMBLY	1	238.81	238.81	ASSEMBLY	1
8	SA-LOCKER	ASSEMBLY	1	83.83	83.83	ASSEMBLY	1
7	SCREW-FLAT-HEAD-LONG	STEEL	6	1.33	7.95	PART	1
6	SA-COVER	ASSEMBLY	2	140.58	281.16	ASSEMBLY	1
5	LSK	WOOD	2			PART	1
4	SA-CONNECTOR	ASSEMBLY	2	225.90	451.81	ASSEMBLY	1
3	SCREW-WOODEN	STEEL	4	0.71	2.82	PART	1
2	SA-BASE	ASSEMBLY	2	159.39	318.78	ASSEMBLY	1
1	PIPE-OUTER	STEEL	1	326.59	326.59	PART	1

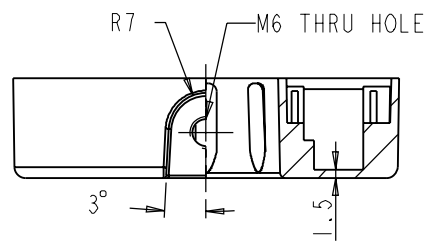
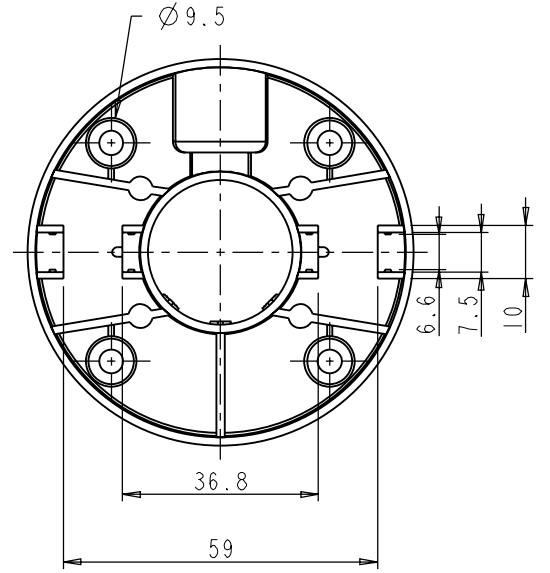
	ITEM#		LSR-SET		MATERIAL		
	FINISH:				WEIGHT:		
<p>PROPRIETARY AND CONFIDENTIAL</p> <p>THE INFORMATION CONTAINED IN THIS DRAWING IS THE SOLE PROPERTY OF HARDWARE RESOURCES INC. ANY REPRODUCTION IN PART OR AS A WHOLE WITHOUT THE WRITTEN PERMISSION OF HARDWARE RESOURCES INC. IS PROHIBITED.</p>	TOLERANCE UNLESS OTHERWISE SPECIFIED:		UNITS:		DRAWN BY:		
	X ±0.20		A4		DATE:		
	X.I ±0.10		APPROVED BY:		DATE:		
	X.II ±0.05		RELEASE LEVEL:		REVISION:		
ANGULAR: ±0.5°		DO NOT SCALE DRAWING					



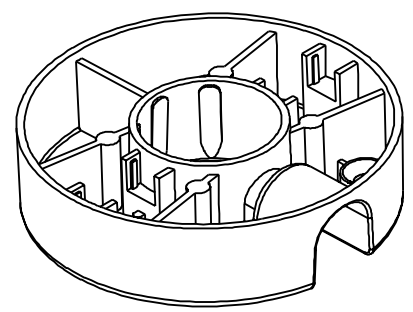
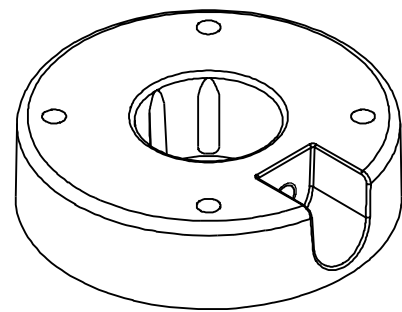
	ITEM# SA-BASE		MATERIAL	
	FINISH:		WEIGHT:	
	PROPRIETARY AND CONFIDENTIAL		PROJECTION	
	THE INFORMATION CONTAINED IN THIS DRAWING IS THE SOLE PROPERTY OF HARDWARE RESOURCES INC. ANY REPRODUCTION IN PART OR AS A WHOLE WITHOUT THE WRITTEN PERMISSION OF HARDWARE RESOURCES INC. IS PROHIBITED.		TOLERANCE UNLESS OTHERWISE SPECIFIED: X ±0.20 X.I ±0.10 X.II ±0.05 ANGULAR ±0.5°	
DO NOT SCALE DRAWING		UNITS: A4	DATE:	9
		APPROVED BY:	DATE:	
		RELEASE LEVEL:	REVISION:	



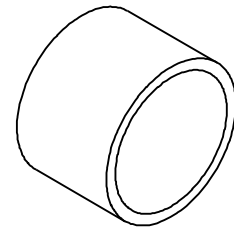
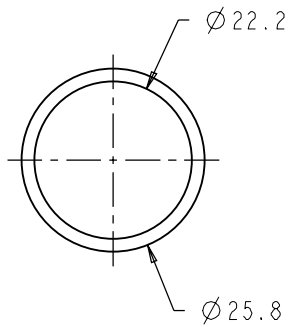
SECTION B-B


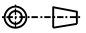



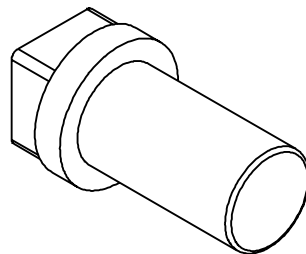
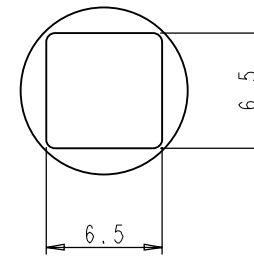
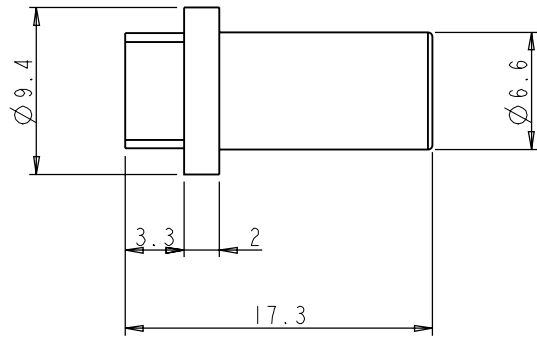
SECTION A-A



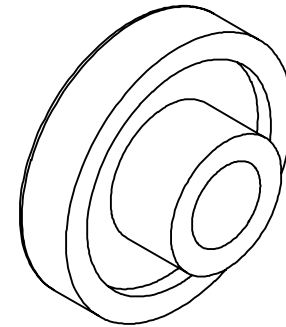
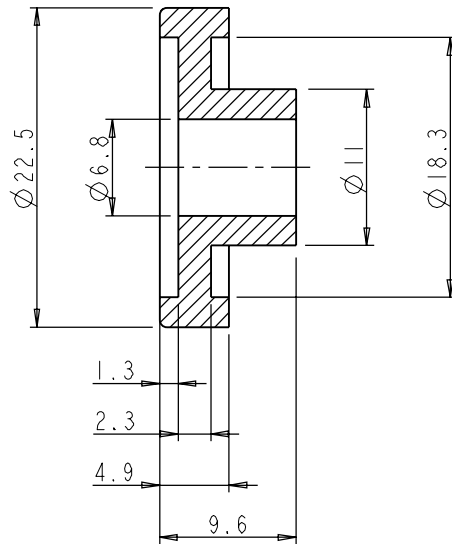
	ITEM#:		MATERIAL: ZINC	
	FINISH: BASE		WEIGHT: 133.30 g	
	PROPRIETARY AND CONFIDENTIAL		PROJECTION	
	THE INFORMATION CONTAINED IN THIS DRAWING IS THE SOLE PROPERTY OF HARDWARE RESOURCES INC. ANY REPRODUCTION IN PART OR AS A WHOLE WITHOUT THE WRITTEN PERMISSION OF HARDWARE RESOURCES INC. IS PROHIBITED.			
TOLERANCE UNLESS OTHERWISE SPECIFIED: X ±0.20 X.I ±0.10 X.II ±0.05 ANGULAR: ±0.5° DO NOT SCALE DRAWING		UNITS: MM SIZE: A4 SHEET:	DRAWN BY: <i>Shawn Lee</i> APPROVED BY: RELEASE LEVEL:	DATE: DATE: REVISION:




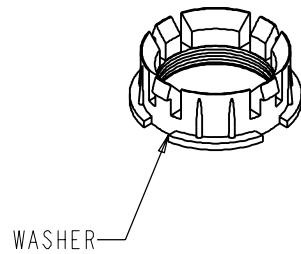
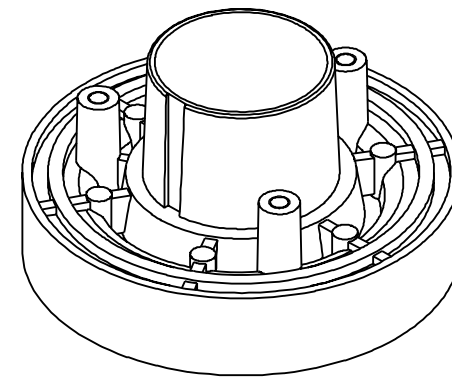
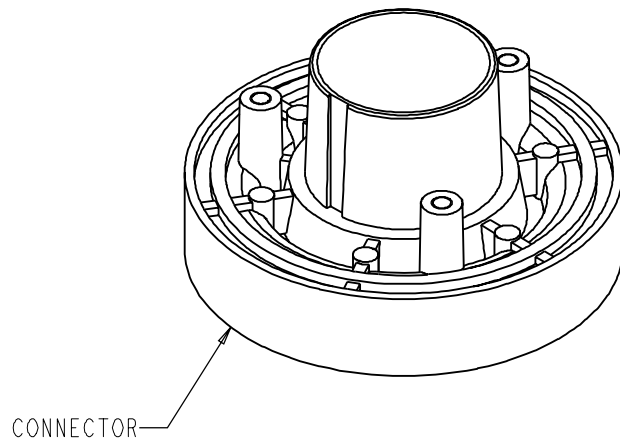
 PROPRIETARY AND CONFIDENTIAL THE INFORMATION CONTAINED IN THIS DRAWING IS THE SOLE PROPERTY OF HARDWARE RESOURCES INC. ANY REPRODUCTION IN PART OR AS A WHOLE WITHOUT THE WRITTEN PERMISSION OF HARDWARE RESOURCES INC. IS PROHIBITED.	ITEM:	CELL		MATERIAL:	PA
	FINISH:			WEIGHT:	2.80 g
	PROJECTION:				
	TOLERANCE UNLESS OTHERWISE SPECIFIED: X ±0.20 X.I ±0.10 X.II ±0.05 ANGULAR: ±0.5° DO NOT SCALE DRAWING	UNITS:	MM	DRAWN BY:	
	SIZE:	A4	APPROVED BY:	DATE:	
	SHEET:		RELEASE LEVEL:	REVISION:	



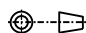


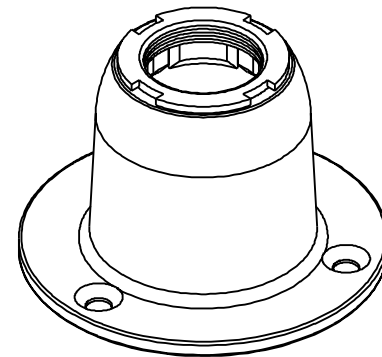
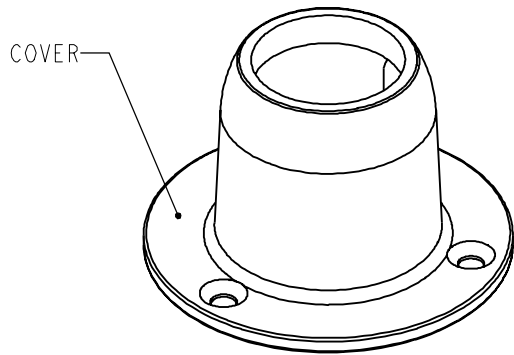
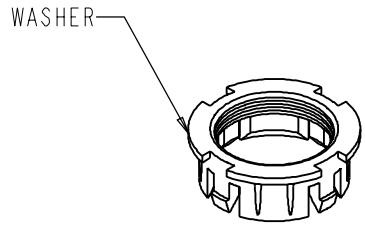
<p>hardware resources</p> <p>PROPRIETARY AND CONFIDENTIAL</p> <p>THE INFORMATION CONTAINED IN THIS DRAWING IS THE SOLE PROPERTY OF HARDWARE RESOURCES INC. ANY REPRODUCTION IN PART OR AS A WHOLE WITHOUT THE WRITTEN PERMISSION OF HARDWARE RESOURCES INC. IS PROHIBITED.</p> <p>DO NOT SCALE DRAWING</p>	ITEM:	SHAFT		MATERIAL:	ABS
	FINISH:			WEIGHT:	0.50 g
	PROJECTION:				
	TOLERANCE UNLESS OTHERWISE SPECIFIED: X ± 0.20 X.I ± 0.10 X.II ± 0.05 ANGULAR: $\pm 0.5^\circ$	UNITS:	MM	DRAWN BY:	
	SIZE:	A4	APPROVED BY:	DATE:	
	SHEET:		RELEASE LEVEL:	REVISION:	



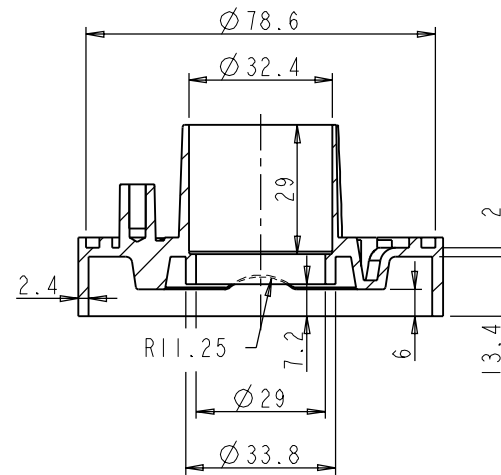
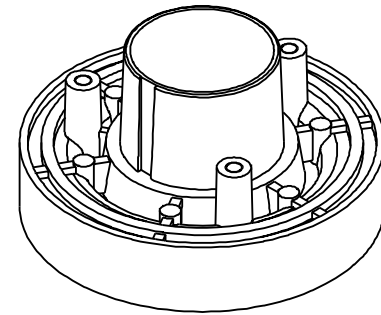
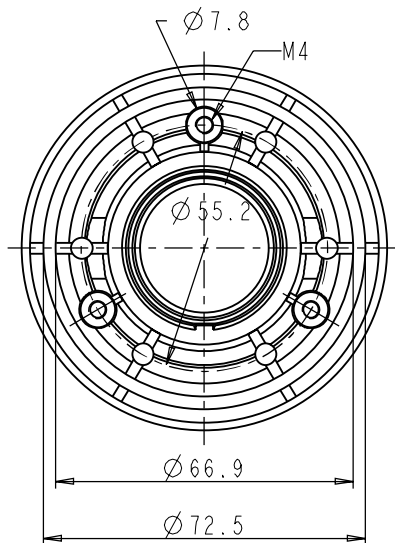
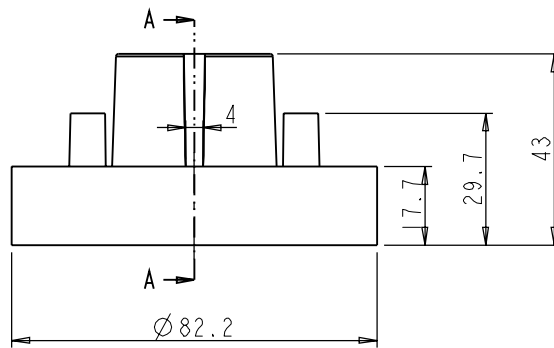
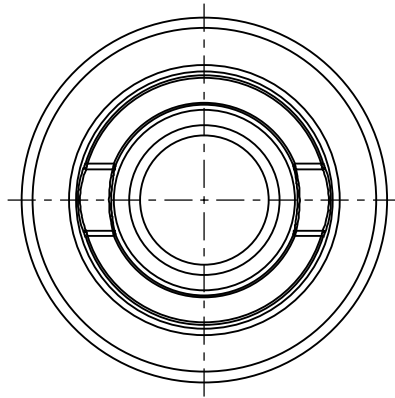
 PROPRIETARY AND CONFIDENTIAL THE INFORMATION CONTAINED IN THIS DRAWING IS THE SOLE PROPERTY OF HARDWARE RESOURCES INC. ANY REPRODUCTION IN PART OR AS A WHOLE WITHOUT THE WRITTEN PERMISSION OF HARDWARE RESOURCES INC. IS PROHIBITED.	ITEM:	WHEEL		MATERIAL:	ABS	
	FINISH:			WEIGHT:	1.30 g	
	TOLERANCE UNLESS OTHERWISE SPECIFIED:	UNITS:	MM	DRAWN BY:	<i>Shawn Lee</i>	DATE:
	X ±0.20 X.I ±0.10 X.II ±0.05 ANGULAR: ±0.5° DO NOT SCALE DRAWING	SIZE:	A4	APPROVED BY:		DATE:
	SHEET:		RELEASE LEVEL:		REVISION:	



 PROPRIETARY AND CONFIDENTIAL THE INFORMATION CONTAINED IN THIS DRAWING IS THE SOLE PROPERTY OF HARDWARE RESOURCES INC. ANY REPRODUCTION IN PART OR AS A WHOLE WITHOUT THE WRITTEN PERMISSION OF HARDWARE RESOURCES INC. IS PROHIBITED.	ITEM#:	SA-CONNECTOR		MATERIAL:
	FINISH:			WEIGHT:
	TOLERANCE UNLESS OTHERWISE SPECIFIED: X ±0.20 X.I ±0.10 X.II ±0.05 ANGULAR: ±0.5° DO NOT SCALE DRAWING	UNITS:	DRAWN BY: 	DATE:
	SIZE: A4	APPROVED BY:	DATE:	
	SHEET:	RELEASE LEVEL:	REVISION:	
		PROJECTION		9

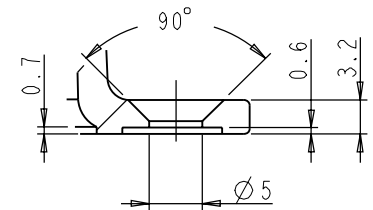
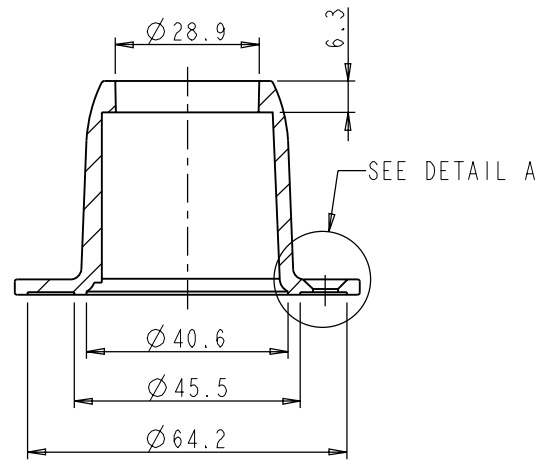
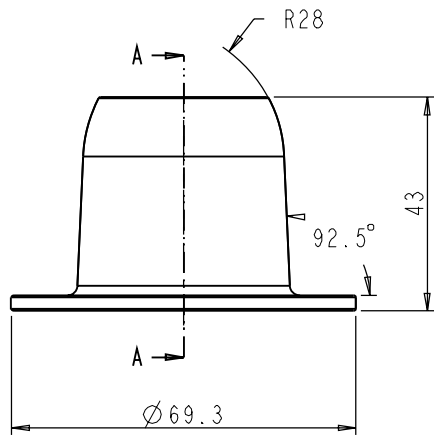
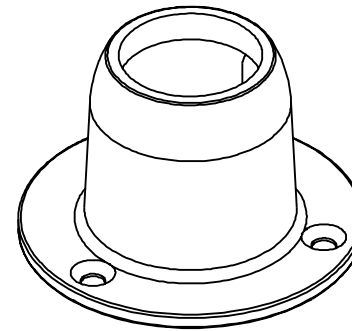
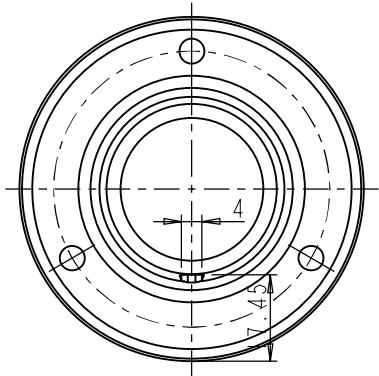


<p>hardware resources</p> <p>PROPRIETARY AND CONFIDENTIAL</p> <p>THE INFORMATION CONTAINED IN THIS DRAWING IS THE SOLE PROPERTY OF HARDWARE RESOURCES INC. ANY REPRODUCTION IN PART OR AS A WHOLE WITHOUT THE WRITTEN PERMISSION OF HARDWARE RESOURCES INC. IS PROHIBITED.</p>	ITEM:	SA-COVER		MATERIAL:	
	FINISH:			WEIGHT:	9
	PROJECTION			DATE:	
	<p>UNITS:</p> <p>SIZE: A4</p> <p>SHEET:</p>	<p>APPROVED BY:</p> <p>RELEASE LEVEL:</p>	<p>DATE:</p> <p>REVISION:</p>		
<p>TOLEANCE UNLESS OTHERWISE SPECIFIED:</p> <p>X ±0.20</p> <p>X.I ±0.10</p> <p>X.II ±0.05</p> <p>ANGULAR: ±0.5°</p> <p>DO NOT SCALE DRAWING</p>					

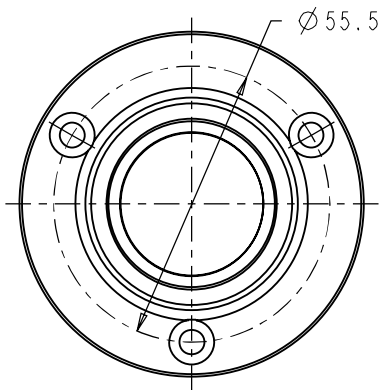


SECTION A-A

	ITEM#		MATERIAL	
	CONNECTOR		ZINC	
PROPRIETARY AND CONFIDENTIAL THE INFORMATION CONTAINED IN THIS DRAWING IS THE SOLE PROPERTY OF HARDWARE RESOURCES INC. ANY REPRODUCTION IN PART OR AS A WHOLE WITHOUT THE WRITTEN PERMISSION OF HARDWARE RESOURCES INC. IS PROHIBITED.	FINISH:		WEIGHT: 236.00 g	
	TOLERANCE UNLESS OTHERWISE SPECIFIED: X ±0.20 X.I ±0.10 X.II ±0.05 ANGULAR: ±0.5° DO NOT SCALE DRAWING		PROJECTION 	
	UNITS: MM	DATE:	DRAWN BY: <i>Shawn Liu</i>	
	SIZE: A4	DATE:	APPROVED BY:	
	SHEET:	RELEASE LEVEL:	REVISION:	

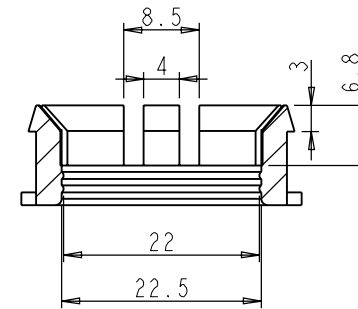
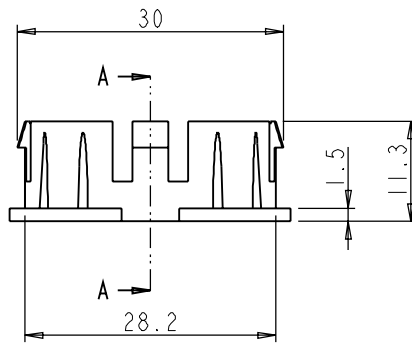
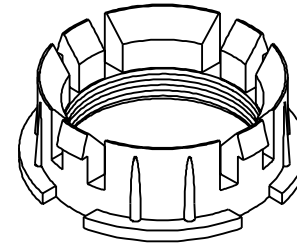
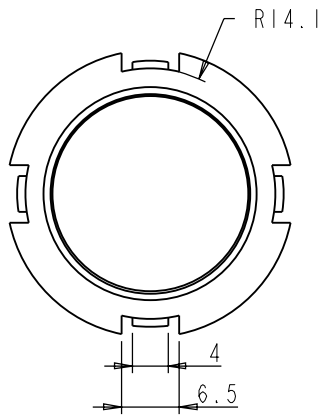


DETAIL A
SCALE 3:2

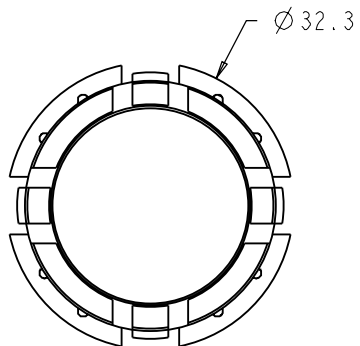


SECTION A-A

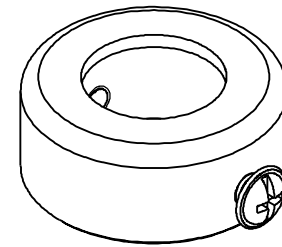
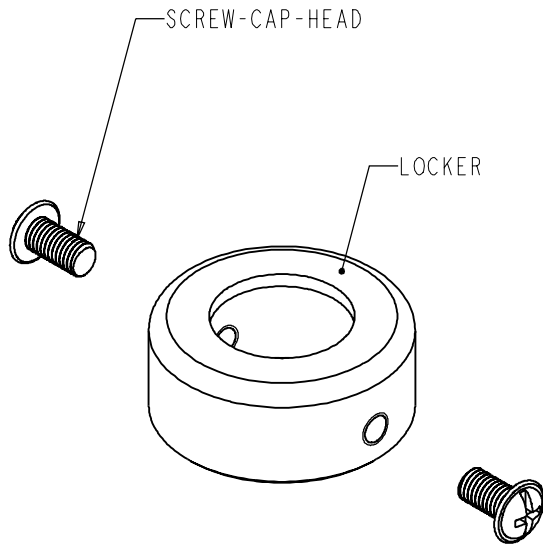
<p>hardware resources</p> <p>PROPRIETARY AND CONFIDENTIAL</p> <p>THE INFORMATION CONTAINED IN THIS DRAWING IS THE SOLE PROPERTY OF HARDWARE RESOURCES INC. ANY REPRODUCTION IN PART OR AS A WHOLE WITHOUT THE WRITTEN PERMISSION OF HARDWARE RESOURCES INC. IS PROHIBITED.</p> <p>DO NOT SCALE DRAWING</p>	ITEM#:	COVER	MATERIAL:	ZINC
	FINISH:		WEIGHT:	136.50 g
	PROJECTION:		PROJECTION:	
	TOLERANCE UNLESS OTHERWISE SPECIFIED:	UNITS: MM	DRAWN BY:	DATE:
X ±0.20	SIZE: A4	APPROVED BY:	DATE:	
X.I ±0.10	SHEET:	RELEASE LEVEL:	REVISION:	
X.II ±0.05				
ANGULAR: ±0.5°				



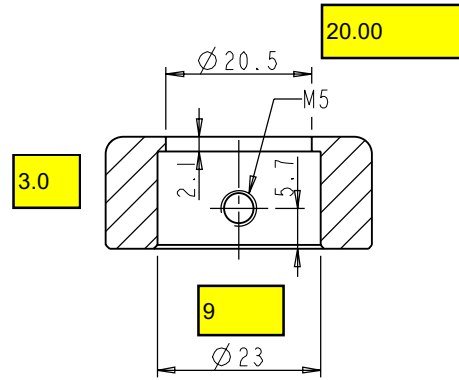
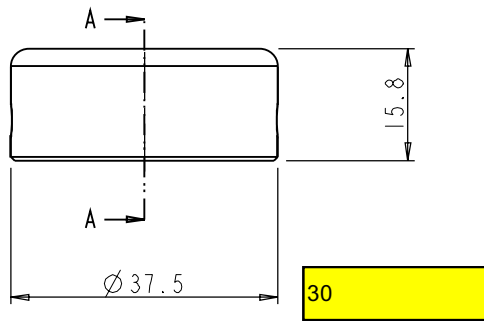
SECTION A-A



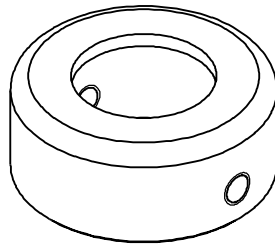
	ITEM: WASHER		MATERIAL: PA	
	FINISH:		WEIGHT: 2.90 g	
	PROPRIETARY AND CONFIDENTIAL		PROJECTION	
	THE INFORMATION CONTAINED IN THIS DRAWING IS THE SOLE PROPERTY OF HARDWARE RESOURCES INC. ANY REPRODUCTION IN PART OR AS A WHOLE WITHOUT THE WRITTEN PERMISSION OF HARDWARE RESOURCES INC. IS PROHIBITED.		TOLERANCE UNLESS OTHERWISE SPECIFIED: X ±0.20 X.I ±0.10 X.II ±0.05 ANGULAR: ±0.5° DO NOT SCALE DRAWING	
UNITS: MM		DRAWN BY: <i>Shawn Liu</i>		DATE:
SIZE: A4		APPROVED BY:		DATE:
SHEET:		RELEASE LEVEL:		REVISION:



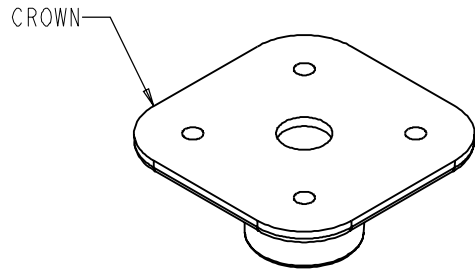
<p>PROPRIETARY AND CONFIDENTIAL</p> <p>THE INFORMATION CONTAINED IN THIS DRAWING IS THE SOLE PROPERTY OF HARDWARE RESOURCES INC. ANY REPRODUCTION IN PART OR AS A WHOLE WITHOUT THE WRITTEN PERMISSION OF HARDWARE RESOURCES INC. IS PROHIBITED.</p>	ITEM#:	SA-LOCKER		MATERIAL:	
	FINISH:			WEIGHT:	9
	PROJECTION			DATE:	
	<p>UNITS:</p> <p>TOLENRANCE UNLESS OTHERWISE SPECIFIED:</p> <p>X ±0.20</p> <p>X.I ±0.10</p> <p>X.II ±0.05</p> <p>ANGULAR: ±0.5°</p> <p>DO NOT SCALE DRAWING</p>	<p>APPROVED BY:</p> <p>DATE:</p>	<p>DATE:</p>	<p>DATE:</p>	
<p>SIZE: A4</p> <p>SHEET:</p>	<p>RELEASE LEVEL:</p>	<p>REVISION:</p>			



SECTION A-A



hardware resources PROPRIETARY AND CONFIDENTIAL THE INFORMATION CONTAINED IN THIS DRAWING IS THE SOLE PROPERTY OF HARDWARE RESOURCES INC. ANY REPRODUCTION IN PART OR AS A WHOLE WITHOUT THE WRITTEN PERMISSION OF HARDWARE RESOURCES INC. IS PROHIBITED.	ITEM:	LOCKER		MATERIAL:	STEEL
	FINISH:			WEIGHT:	83.00 g
	TOLERANCE UNLESS OTHERWISE SPECIFIED:	UNITS:	MM	DRAWN BY:	<i>Shawn Liu</i>
	X ± 0.20 X.I ± 0.10 X.II ± 0.05 ANGULAR: $\pm 0.5^\circ$	SIZE:	A4	APPROVED BY:	DATE:
DO NOT SCALE DRAWING	SHEET:	RELEASE LEVEL:	REVISION:		

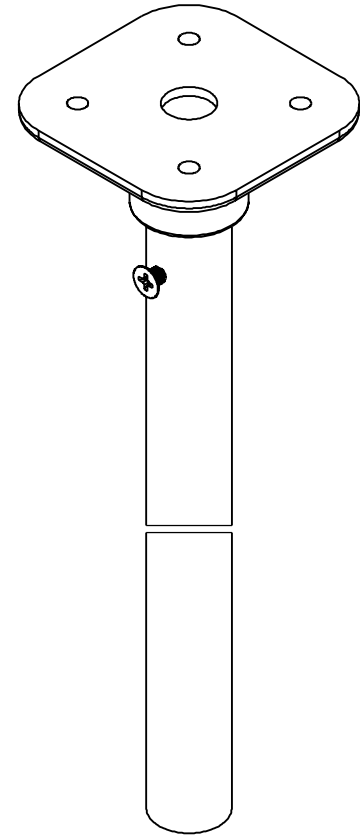


CROWN

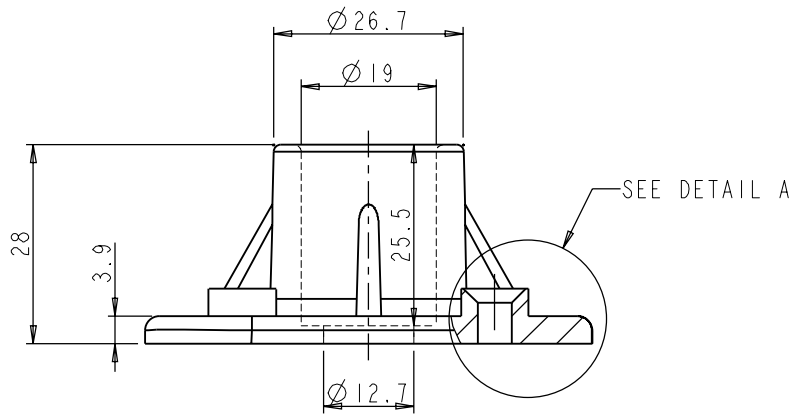


PIPE - INNOR

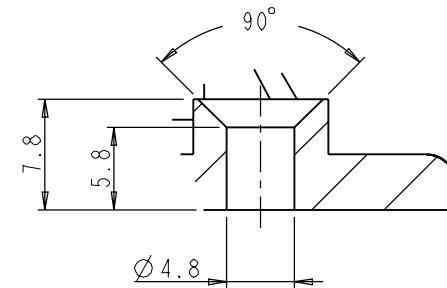
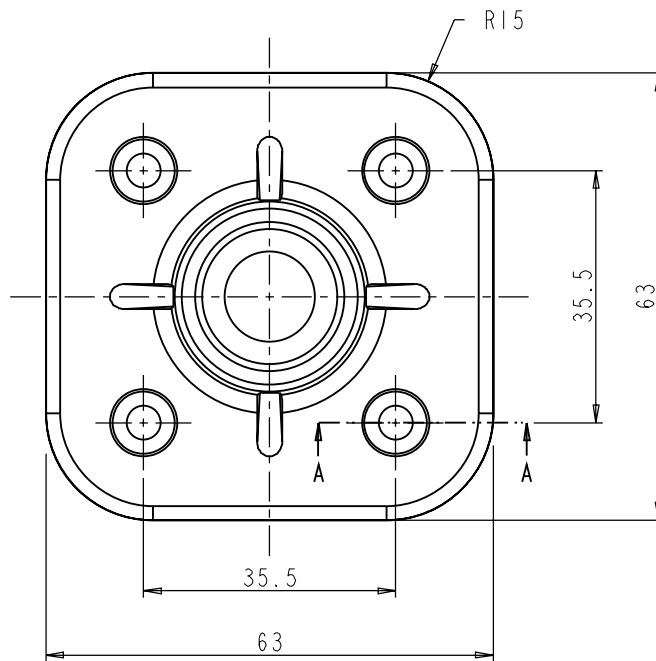
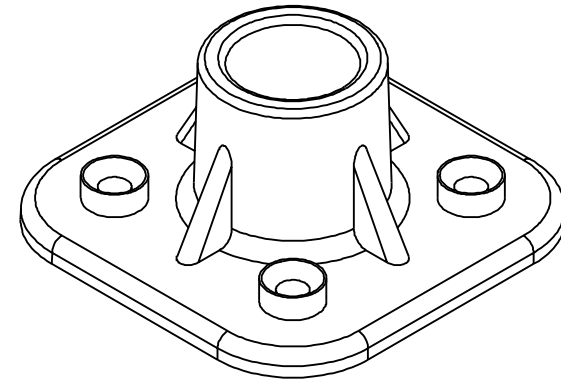
SCREW-FALT-HEAD-SHORT



	ITEM: SA - INNER-PIPE		MATERIAL:	
	FINISH:		WEIGHT:	
	PROPRIETARY AND CONFIDENTIAL THE INFORMATION CONTAINED IN THIS DRAWING IS THE SOLE PROPERTY OF HARDWARE RESOURCES INC. ANY REPRODUCTION IN PART OR AS A WHOLE WITHOUT THE WRITTEN PERMISSION OF HARDWARE RESOURCES INC. IS PROHIBITED.		PROJECTION 	
	TOLERANCE UNLESS OTHERWISE SPECIFIED: X ±0.20 X.I ±0.10 X.II ±0.05 ANGULAR: ±0.5° DO NOT SCALE DRAWING		UNITS: A4	DRAWN BY: <i>Shawn Lee</i>
		SHEET:	APPROVED BY:	DATE:
		SHEET:	RELEASE LEVEL:	REVISION:

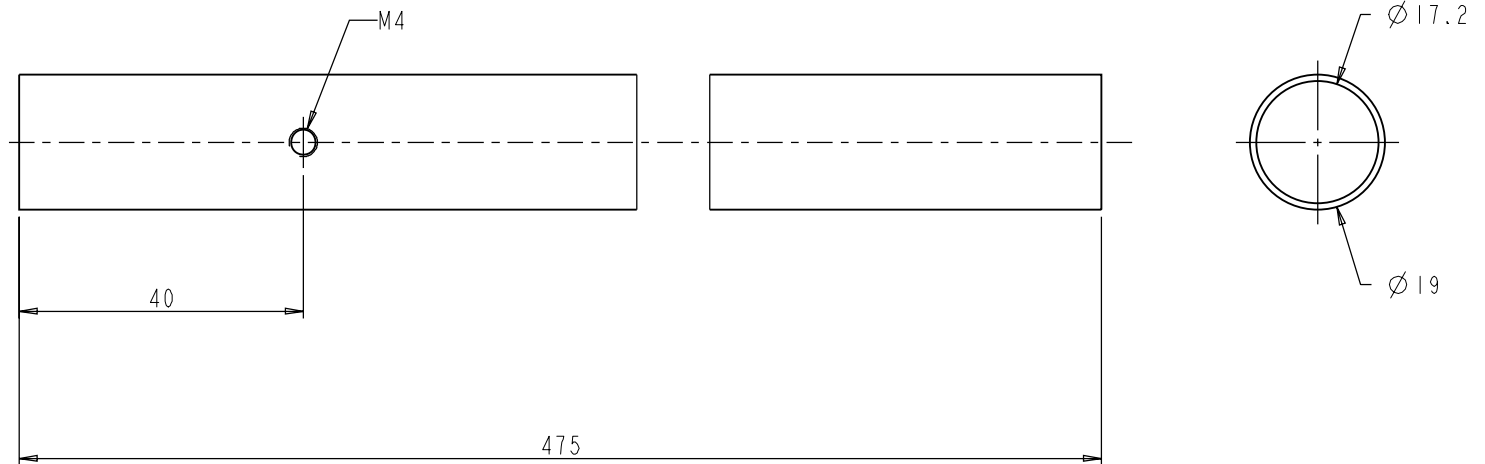



SECTION A-A

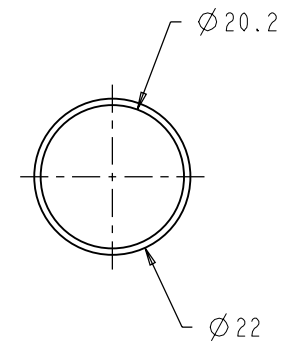
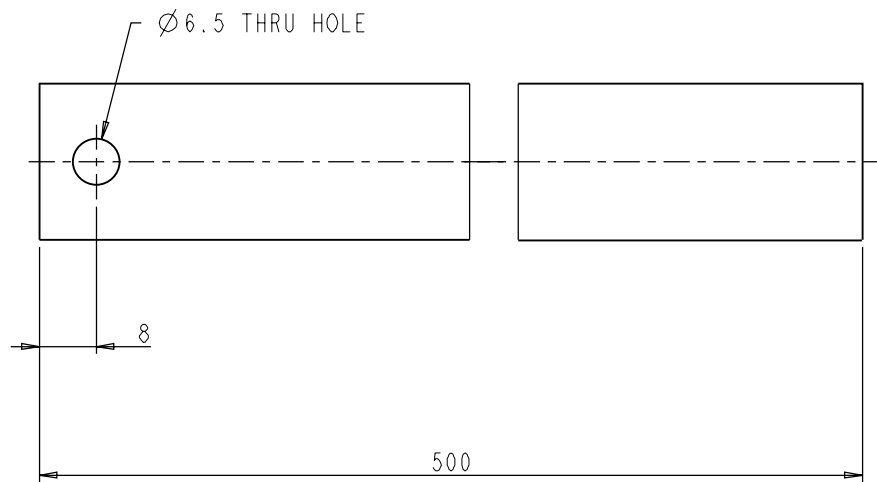



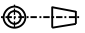

DETAIL A
SCALE 2:1

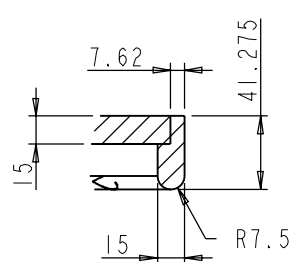
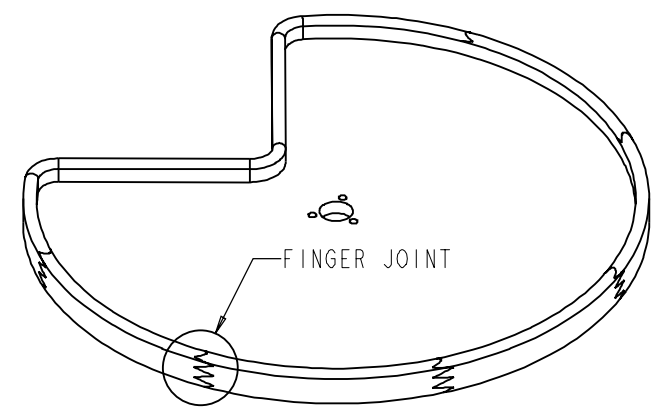
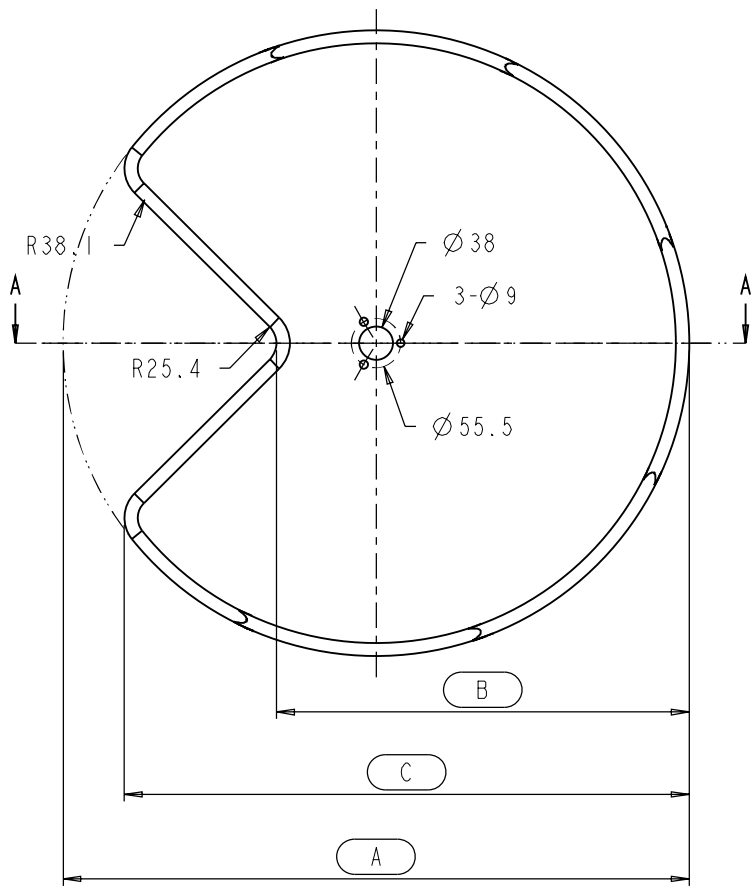
	ITEM#: CROWN		MATERIAL: ABS		
	FINISH:		WEIGHT: 23.30 g		
PROPRIETARY AND CONFIDENTIAL THE INFORMATION CONTAINED IN THIS DRAWING IS THE SOLE PROPERTY OF HARDWARE RESOURCES INC. ANY REPRODUCTION IN PART OR AS A WHOLE WITHOUT THE WRITTEN PERMISSION OF HARDWARE RESOURCES INC. IS PROHIBITED.	TOLERANCE UNLESS OTHERWISE SPECIFIED: X ±0.20 X.I ±0.10 X.II ±0.05 ANGULAR: ±0.5° DO NOT SCALE DRAWING		UNITS: MM SIZE: A4 SHEET:	DRAWN BY: <i>Shawn Liu</i> APPROVED BY: RELEASE LEVEL: REVISION:	DATE: DATE: DATE:
	PROJECTION:		DATE:		
			DATE:		
			DATE:		



 PROPRIETARY AND CONFIDENTIAL THE INFORMATION CONTAINED IN THIS DRAWING IS THE SOLE PROPERTY OF HARDWARE RESOURCES INC. ANY REPRODUCTION IN PART OR AS A WHOLE WITHOUT THE WRITTEN PERMISSION OF HARDWARE RESOURCES INC. IS PROHIBITED.	ITEM#:		PIPE - INNOR		MATERIAL:	STEEL	
	FINISH:				WEIGHT:	189.54 g	
	TOLERANCE UNLESS OTHERWISE SPECIFIED:		UNITS:	MM	DRAWN BY:	<i>Shawn Liu</i>	
	X ±0.20 X.I ±0.10 X.II ±0.05 ANGULAR: ±0.5° DO NOT SCALE DRAWING		SIZE:	A4	APPROVED BY:	DATE:	
		SHEET:		RELEASE LEVEL:	REVISION:		

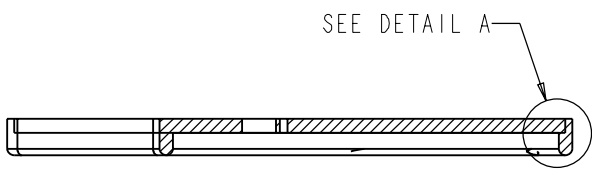


 PROPRIETARY AND CONFIDENTIAL THE INFORMATION CONTAINED IN THIS DRAWING IS THE SOLE PROPERTY OF HARDWARE RESOURCES INC. ANY REPRODUCTION IN PART OR AS A WHOLE WITHOUT THE WRITTEN PERMISSION OF HARDWARE RESOURCES INC. IS PROHIBITED.	ITEM:	PIPE-OUTER		MATERIAL:	STEEL
	FINISH:			WEIGHT:	232.20 g
	PROJECTION:				
	TOLERANCE UNLESS OTHERWISE SPECIFIED: X ±0.20 X.I ±0.10 X.II ±0.05 ANGULAR: ±0.5° DO NOT SCALE DRAWING	UNITS:	MM	DRAWN BY:	
	SIZE:	A4	APPROVED BY:	DATE:	
	SHEET:		RELEASE LEVEL:	REVISION:	



Spec Sheet:

ITEM NO.	A (MM)	B (MM)	C (MM)
LSK24	608	374	532.5
LSK28	705	464.5	636
LSK32	806.5	557.2	740.5



SECTION A-A

DETAIL A
SCALE 1:4

	ITEM NO.	LSK		MATERIAL	PLY WOOD
	FINISH:			WEIGHT:	9
PROPRIETARY AND CONFIDENTIAL THE INFORMATION CONTAINED IN THIS DRAWING IS THE SOLE PROPERTY OF HARDWARE RESOURCES INC. ANY REPRODUCTION IN PART OR AS A WHOLE WITHOUT THE WRITTEN PERMISSION OF HARDWARE RESOURCES INC. IS PROHIBITED.	TOLERANCE UNLESS OTHERWISE SPECIFIED: X ± 0.20 X.I ± 0.10 X.II ± 0.05 ANGULAR: $\pm 0.5^\circ$	UNITS: MM	DRAWN BY: <i>Shawn Lee</i>	PROJECTION 	DATE:
DO NOT SCALE DRAWING	SIZE: A4	APPROVED BY:	DATE:	RELEASE LEVEL:	REVISION: