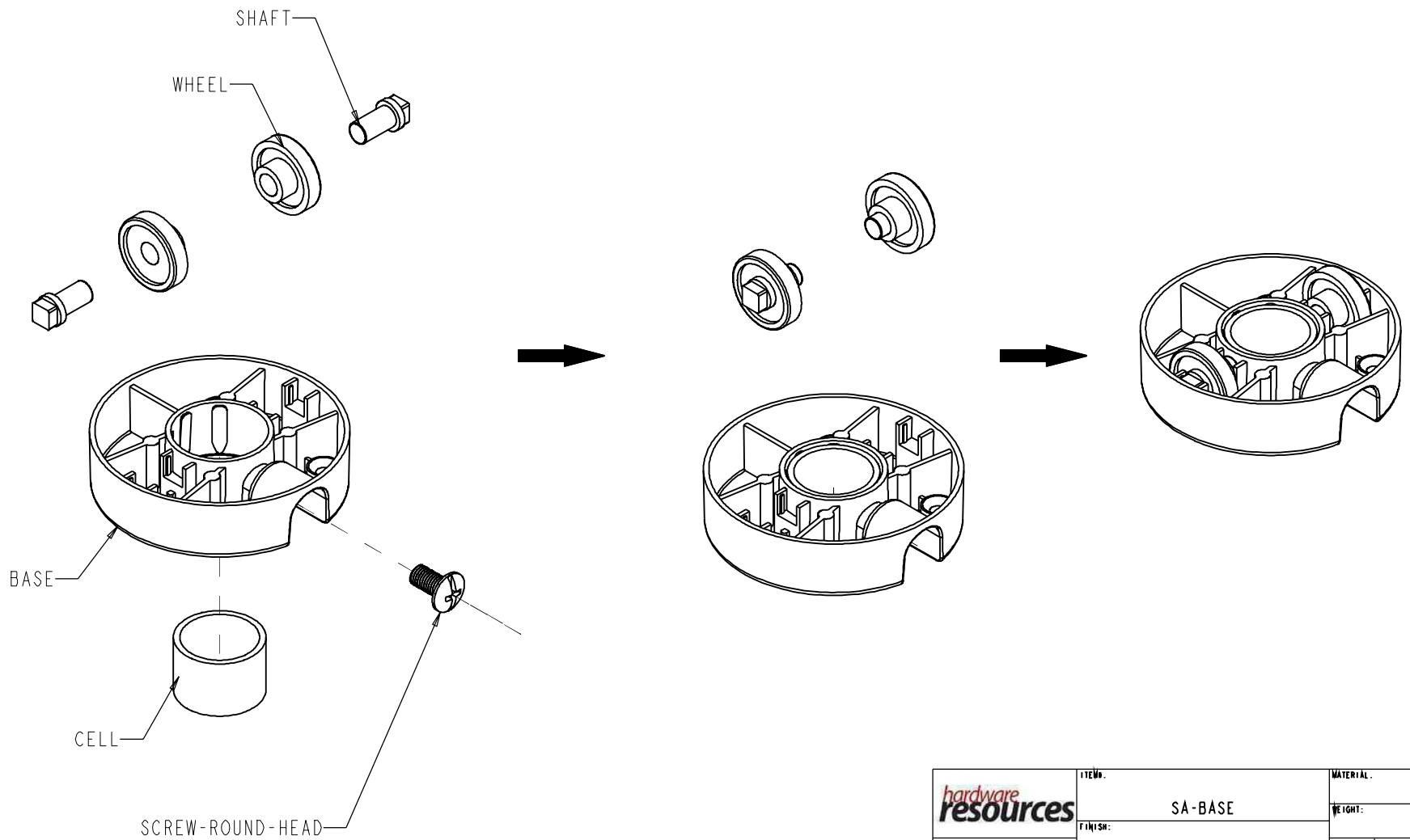


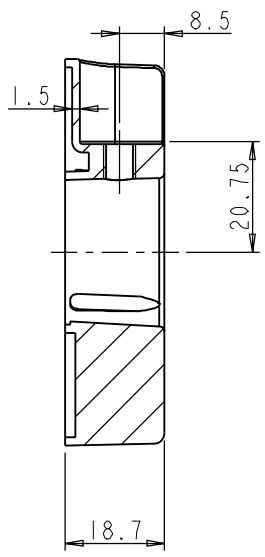
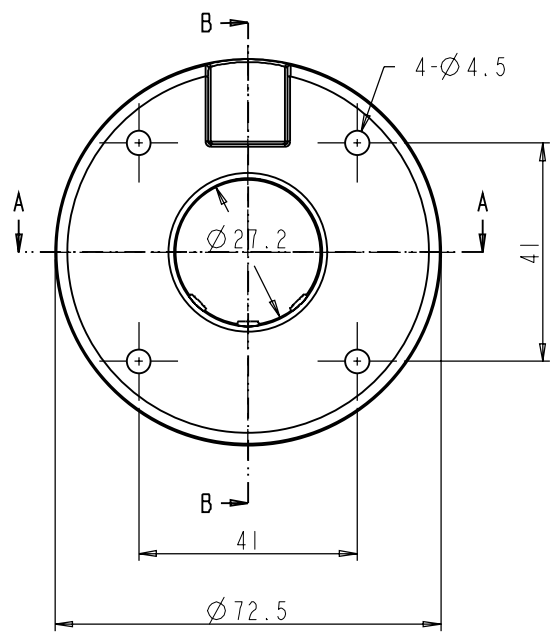
BILLS OF MATERIAL:

| NO. | ITEM# | MATERIAL | QTY | UNIT WEIGHT | TOTL WEIGHT | TYPE | ASSY LEVEL |
|-----|----------------------|----------|-----|-------------|-------------|----------|------------|
| 9 | SA-INNER-PIPE | ASSEMBLY | 1 | 238.81 | 238.81 | ASSEMBLY | 1 |
| 8 | SA-LOCKER | ASSEMBLY | 1 | 83.83 | 83.83 | ASSEMBLY | 1 |
| 7 | SCREW-FLAT-HEAD-LONG | STEEL | 6 | 1.33 | 7.95 | PART | 1 |
| 6 | SA-COVER | ASSEMBLY | 2 | 140.58 | 281.16 | ASSEMBLY | 1 |
| 5 | LSK | WOOD | 2 | | | PART | 1 |
| 4 | SA-CONNECTOR | ASSEMBLY | 2 | 225.90 | 451.81 | ASSEMBLY | 1 |
| 3 | SCREW-WOODEN | STEEL | 4 | 0.71 | 2.82 | PART | 1 |
| 2 | SA-BASE | ASSEMBLY | 2 | 159.39 | 318.78 | ASSEMBLY | 1 |
| 1 | PIPE-OUTER | STEEL | 1 | 326.59 | 326.59 | PART | 1 |

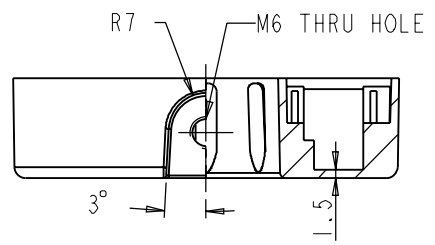
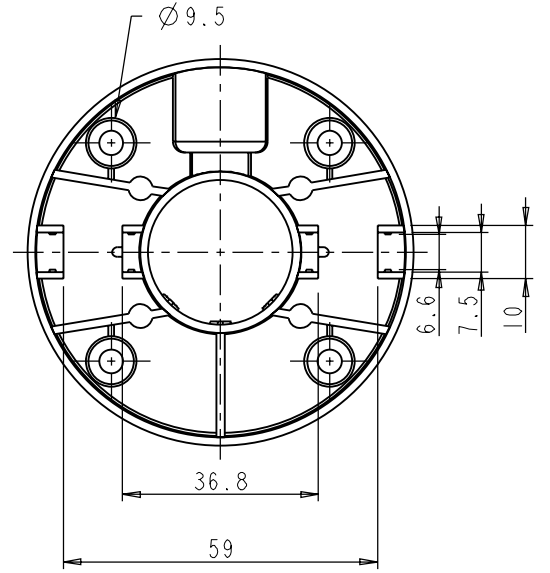
| | | | | | | |
|--|---------|---|----------|----------------|---|-----------------------------|
| | ITEM# | | LRSR-SET | | MATERIAL | |
| | FINISH: | | | | WEIGHT: | |
| PROPRIETARY AND CONFIDENTIAL THE INFORMATION CONTAINED IN THIS DRAWING IS THE SOLE PROPERTY OF HARDWARE RESOURCES INC. ANY REPRODUCTION IN PART OR AS A WHOLE WITHOUT THE WRITTEN PERMISSION OF HARDWARE RESOURCES INC. IS PROHIBITED. | | TOLERANCE UNLESS OTHERWISE SPECIFIED: X ±0.20 X.I ±0.10 X.II ±0.05 ANGULAR: ±0.5° DO NOT SCALE DRAWING | | UNITS: A4 | DRAWN BY: APPROVED BY: RELEASE LEVEL: | DATE: DATE: REVISION: |
| | | | | PROJECTION | | 9 |



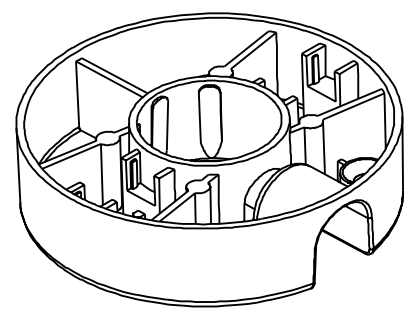
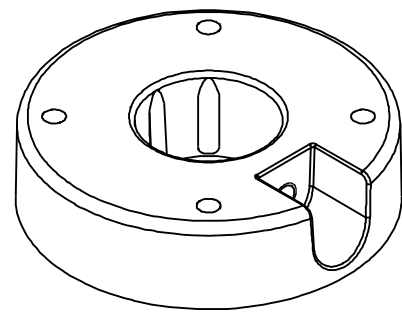
| | | | | |
|--|---|-------------|----------------|---------------|
| | ITEM# SA-BASE | | MATERIAL | |
| | FINISH: | | WEIGHT: | |
| | PROPRIETARY AND CONFIDENTIAL THE INFORMATION CONTAINED IN THIS DRAWING IS THE SOLE PROPERTY OF HARDWARE RESOURCES INC. ANY REPRODUCTION IN PART OR AS A WHOLE WITHOUT THE WRITTEN PERMISSION OF HARDWARE RESOURCES INC. IS PROHIBITED. | | PROJECTION | |
| | TOLERANCE UNLESS OTHERWISE SPECIFIED: X ±0.20 X.I ±0.10 X.II ±0.05 ANGULAR ±0.5° DO NOT SCALE DRAWING | | UNITS: A4 | DRAWN BY: |
| | | SIZE: A4 | APPROVED BY: | DATE: |
| | | SHEET: | RELEASE LEVEL: | REVISION: |



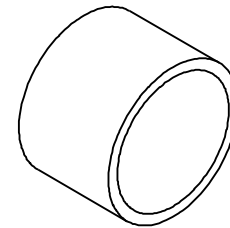
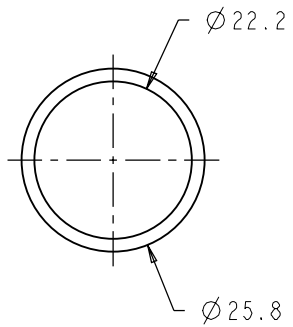
SECTION B-B


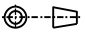


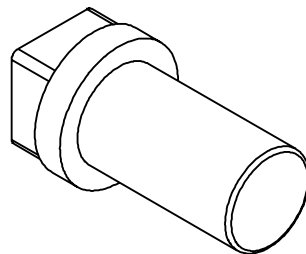
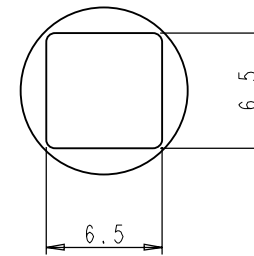
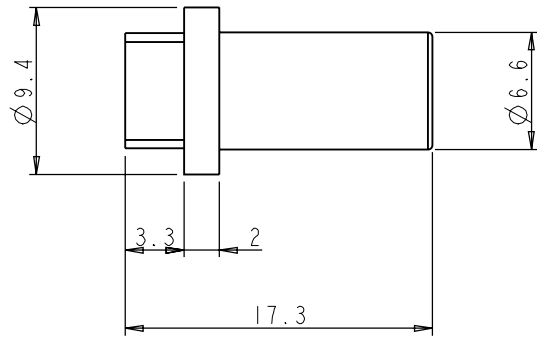
SECTION A-A



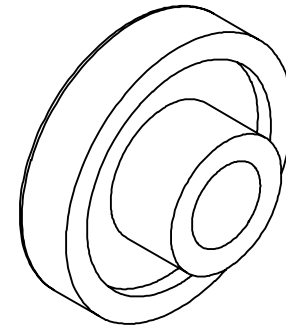
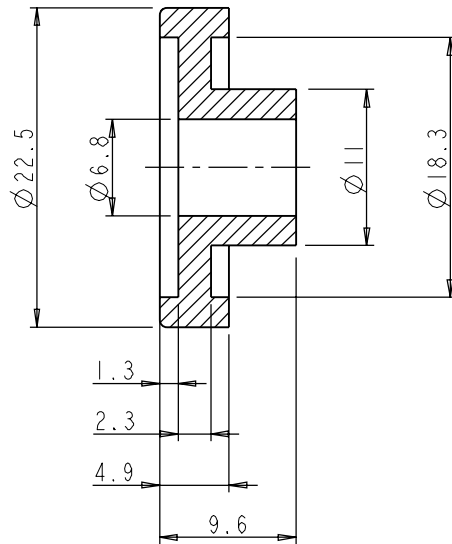
| | | | | |
|--|---|--|---------------------------------|--|
| | ITEM#: | BASE | MATERIAL: | ZINC |
| | FINISH: | | WEIGHT: | 133.30 g |
| | PROPRIETARY AND CONFIDENTIAL | | PROJECTION: | |
| | THE INFORMATION CONTAINED IN THIS DRAWING IS THE SOLE PROPERTY OF HARDWARE RESOURCES INC. ANY REPRODUCTION IN PART OR AS A WHOLE WITHOUT THE WRITTEN PERMISSION OF HARDWARE RESOURCES INC. IS PROHIBITED. | TOLERANCE UNLESS OTHERWISE SPECIFIED: X ±0.20 X.I ±0.10 X.II ±0.05 ANGULAR: ±0.5° DO NOT SCALE DRAWING | UNITS: MM SIZE: A4 SHEET: | DRAWN BY: <i>Shawn Lee</i> APPROVED BY: RELEASE LEVEL: REVISION: |




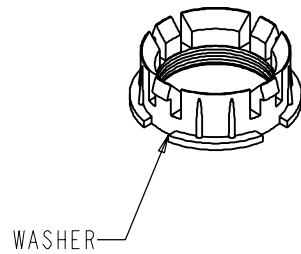
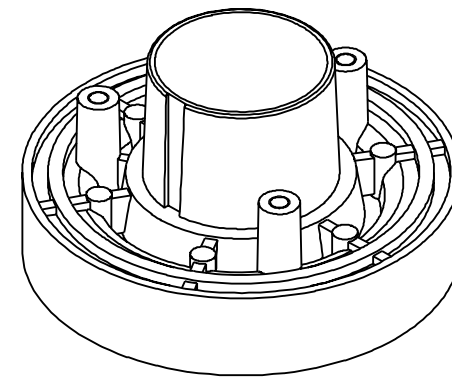
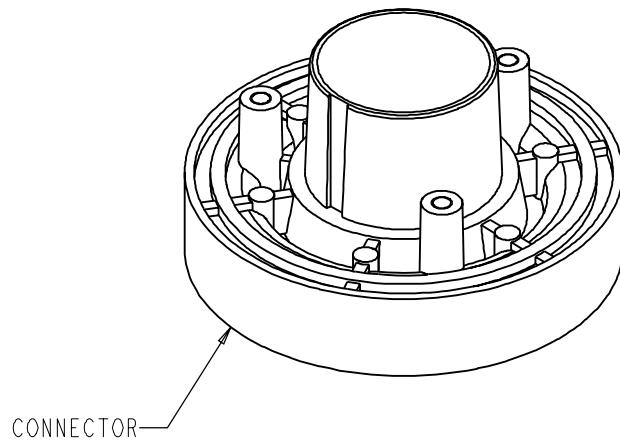
| | | | | | |
|---|---|--------|----------------|-------------|---|
|  PROPRIETARY AND CONFIDENTIAL THE INFORMATION CONTAINED IN THIS DRAWING IS THE SOLE PROPERTY OF HARDWARE RESOURCES INC. ANY REPRODUCTION IN PART OR AS A WHOLE WITHOUT THE WRITTEN PERMISSION OF HARDWARE RESOURCES INC. IS PROHIBITED. | ITEM: | CELL | | MATERIAL: | PA |
| | FINISH: | | | WEIGHT: | 2.80 g |
| | PROJECTION: | | | PROJECTION: |  |
| | TOLERANCE UNLESS OTHERWISE SPECIFIED: X ± 0.20 X.I ± 0.10 X.II ± 0.05 ANGULAR: $\pm 0.5^\circ$ DO NOT SCALE DRAWING | UNITS: | MM | DRAWN BY: | <i>Shawn Liu</i> |
| | SIZE: | A4 | APPROVED BY: | | DATE: |
| | SHEET: | | RELEASE LEVEL: | | REVISION: |



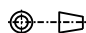


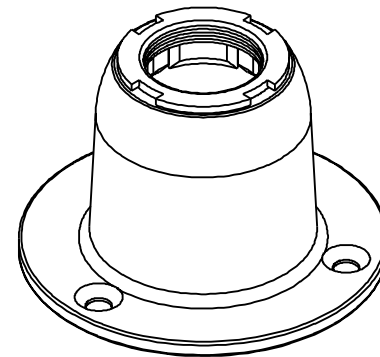
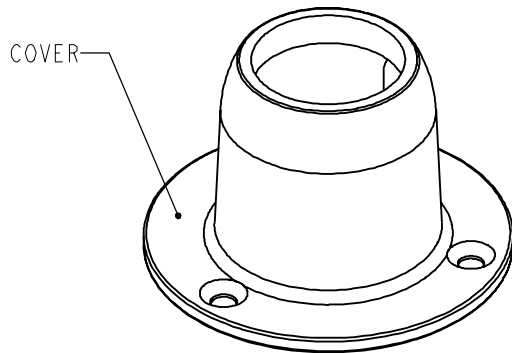
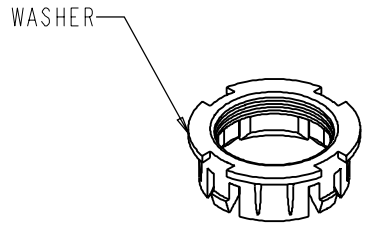
| | | | | | |
|---|--|--------|----------------|-----------|--------|
| <p>hardware resources</p> <p>PROPRIETARY AND CONFIDENTIAL</p> <p>THE INFORMATION CONTAINED IN THIS DRAWING IS THE SOLE PROPERTY OF HARDWARE RESOURCES INC. ANY REPRODUCTION IN PART OR AS A WHOLE WITHOUT THE WRITTEN PERMISSION OF HARDWARE RESOURCES INC. IS PROHIBITED.</p> <p>DO NOT SCALE DRAWING</p> | ITEM: | SHAFT | | MATERIAL: | ABS |
| | FINISH: | | | WEIGHT: | 0.50 g |
| | PROJECTION: | | | | |
| | TOLERANCE UNLESS OTHERWISE SPECIFIED: X ± 0.20 X.I ± 0.10 X.II ± 0.05 ANGULAR: $\pm 0.5^\circ$ | UNITS: | MM | DRAWN BY: | |
| | SIZE: | A4 | APPROVED BY: | DATE: | |
| | SHEET: | | RELEASE LEVEL: | REVISION: | |


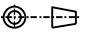


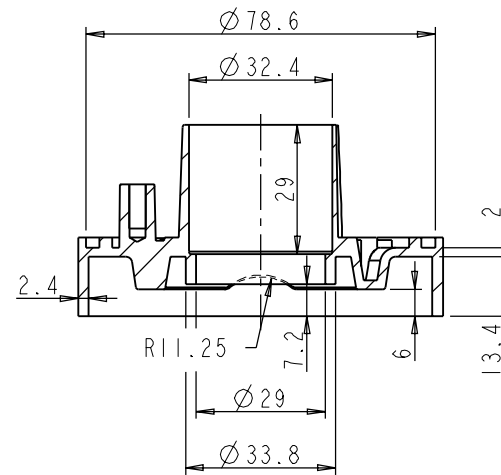
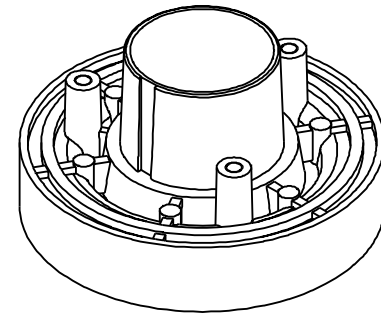
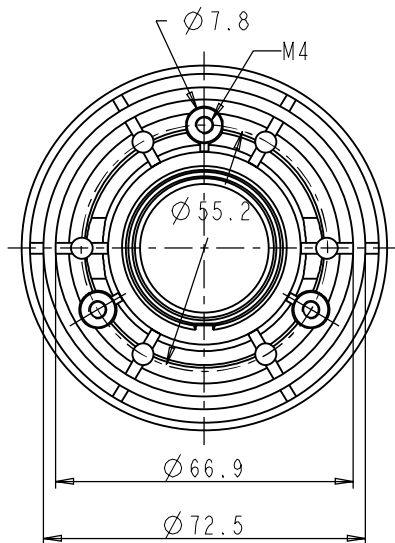
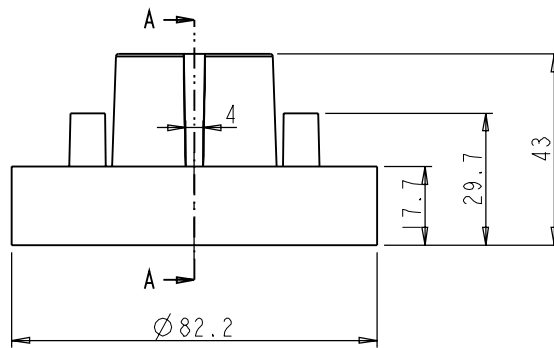
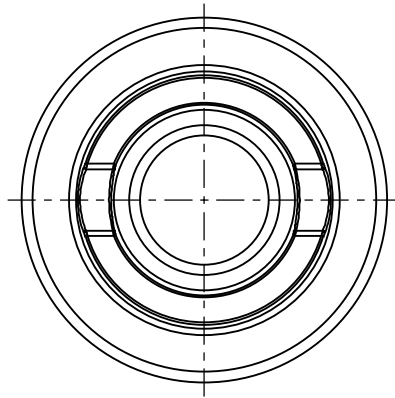
| | | | | | |
|---|--|--------|----------------|--------------|--------|
|  PROPRIETARY AND CONFIDENTIAL THE INFORMATION CONTAINED IN THIS DRAWING IS THE SOLE PROPERTY OF HARDWARE RESOURCES INC. ANY REPRODUCTION IN PART OR AS A WHOLE WITHOUT THE WRITTEN PERMISSION OF HARDWARE RESOURCES INC. IS PROHIBITED. | ITEM: | WHEEL | | MATERIAL: | ABS |
| | FINISH: | | | WEIGHT: | 1.30 g |
| | TOLERANCE UNLESS OTHERWISE SPECIFIED: | UNITS: | MM | DRAWN BY: | DATE: |
| | X ±0.20 X.I ±0.10 X.II ±0.05 ANGULAR: ±0.5° DO NOT SCALE DRAWING | SIZE: | A4 | APPROVED BY: | DATE: |
| | SHEET: | | RELEASE LEVEL: | REVISION: | |



| | | | | |
|---|---|----------------|--|-----------|
|  PROPRIETARY AND CONFIDENTIAL THE INFORMATION CONTAINED IN THIS DRAWING IS THE SOLE PROPERTY OF HARDWARE RESOURCES INC. ANY REPRODUCTION IN PART OR AS A WHOLE WITHOUT THE WRITTEN PERMISSION OF HARDWARE RESOURCES INC. IS PROHIBITED. | ITEM#: | SA-CONNECTOR | | MATERIAL: |
| | FINISH: | | | WEIGHT: |
| | TOLERANCE UNLESS OTHERWISE SPECIFIED: X ±0.20 X.I ±0.10 X.II ±0.05 ANGULAR: ±0.5° DO NOT SCALE DRAWING | UNITS: | DRAWN BY:  | DATE: |
| | SIZE: A4 | APPROVED BY: | DATE: | |
| | SHEET: | RELEASE LEVEL: | REVISION: | |
| | | PROJECTION |  | 9 |

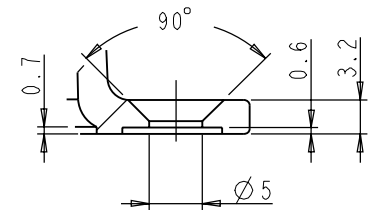
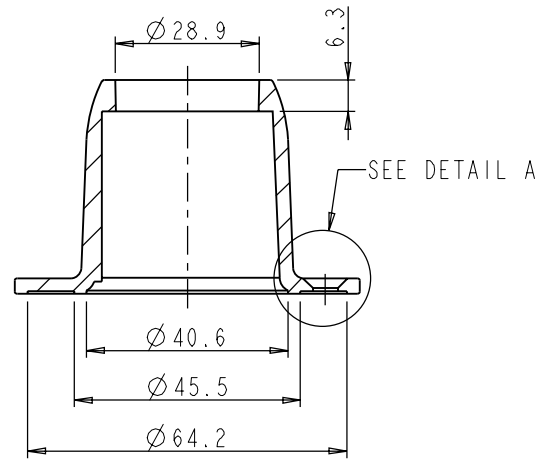
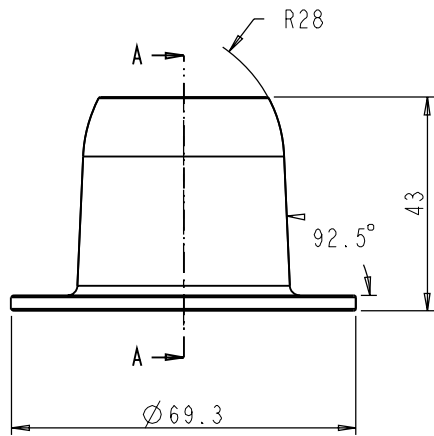
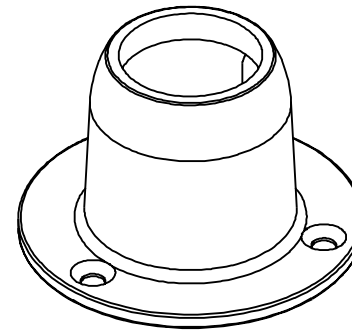
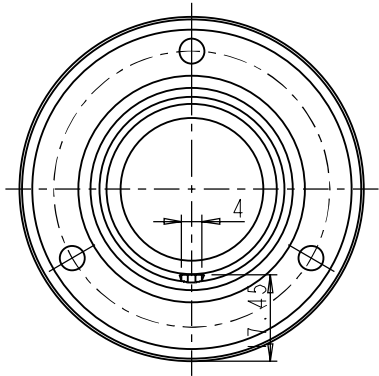


| | | | | |
|---|--|---|---|-----------------------------|
|  PROPRIETARY AND CONFIDENTIAL THE INFORMATION CONTAINED IN THIS DRAWING IS THE SOLE PROPERTY OF HARDWARE RESOURCES INC. ANY REPRODUCTION IN PART OR AS A WHOLE WITHOUT THE WRITTEN PERMISSION OF HARDWARE RESOURCES INC. IS PROHIBITED. | ITEM#: | SA-COVER | | MATERIAL: |
| | FINISH: | | | WEIGHT: |
| | TOLERANCE UNLESS OTHERWISE SPECIFIED: X ±0.20 X.I ±0.10 X.II ±0.05 ANGULAR: ±0.5° DO NOT SCALE DRAWING | UNITS: | DATE: | 9 |
| | SIZE: A4 SHEET: | DRAWN BY: <i>Shane</i> APPROVED BY: | PROJECTION  | DATE: DATE: REVISION: |



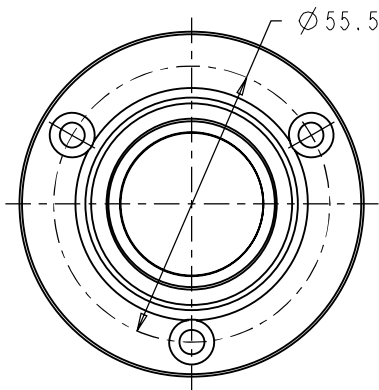
SECTION A-A

| | | | | | |
|--|---|-----------|---------------------------------|--|-----------------------------|
| | ITEM#: | CONNECTOR | | MATERIAL: | ZINC |
| | FINISH: | | | WEIGHT: | 236.00 g |
| PROPRIETARY AND CONFIDENTIAL THE INFORMATION CONTAINED IN THIS DRAWING IS THE SOLE PROPERTY OF HARDWARE RESOURCES INC. ANY REPRODUCTION IN PART OR AS A WHOLE WITHOUT THE WRITTEN PERMISSION OF HARDWARE RESOURCES INC. IS PROHIBITED. | TOLERANCE UNLESS OTHERWISE SPECIFIED: X ±0.20 X.I ±0.10 X.II ±0.05 ANGULAR: ±0.5° DO NOT SCALE DRAWING | | UNITS: MM SIZE: A4 SHEET: | DRAWN BY: <i>Shawn Liu</i> APPROVED BY: RELEASE LEVEL: | DATE: DATE: REVISION: |
| | | | PROJECTION | | |

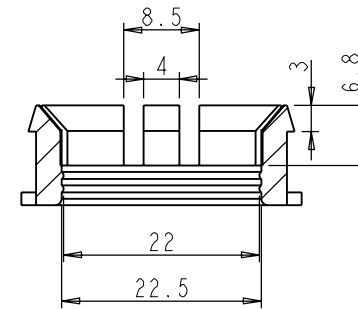
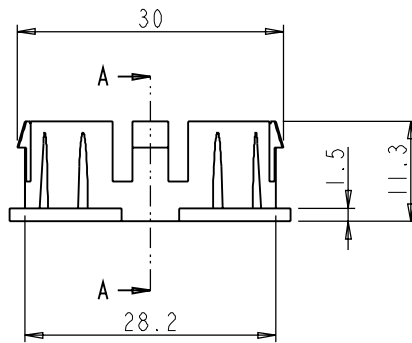
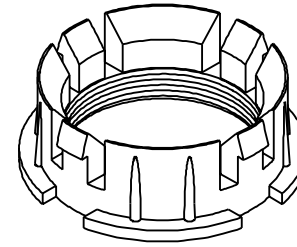
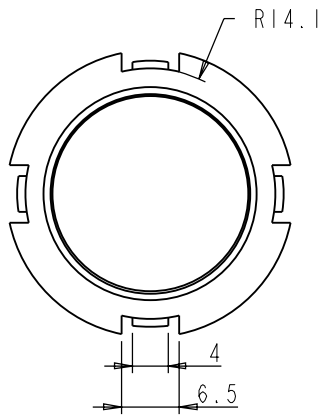


DETAIL A
SCALE 3:2

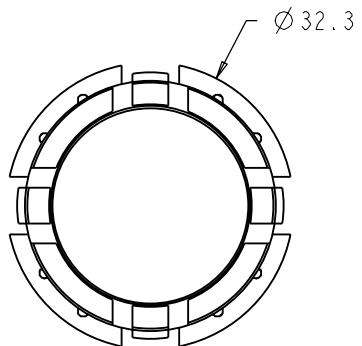
SECTION A-A



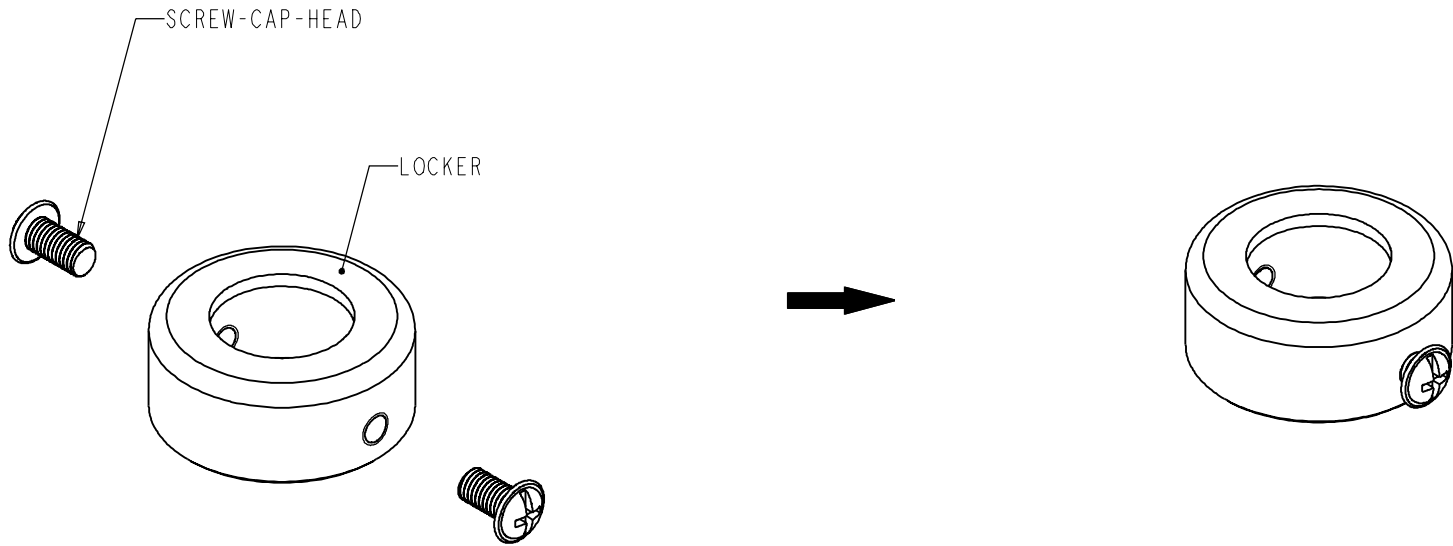
| | | | | | | |
|---|--|--------|----------------|--------------|------------------|-------|
| <p>hardware resources</p> <p>PROPRIETARY AND CONFIDENTIAL</p> <p>THE INFORMATION CONTAINED IN THIS DRAWING IS THE SOLE PROPERTY OF HARDWARE RESOURCES INC. ANY REPRODUCTION IN PART OR AS A WHOLE WITHOUT THE WRITTEN PERMISSION OF HARDWARE RESOURCES INC. IS PROHIBITED.</p> | ITEM#: | COVER | | MATERIAL: | ZINC | |
| | FINISH: | | | WEIGHT: | 136.50 g | |
| | TOLERANCE UNLESS OTHERWISE SPECIFIED: | UNITS: | MM | DRAWN BY: | <i>Shawn Liu</i> | DATE: |
| | X ±0.20 X.I ±0.10 X.II ±0.05 ANGULAR: ±0.5° | SIZE: | A4 | APPROVED BY: | | DATE: |
| DO NOT SCALE DRAWING | SHEET: | | RELEASE LEVEL: | | REVISION: | |


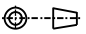



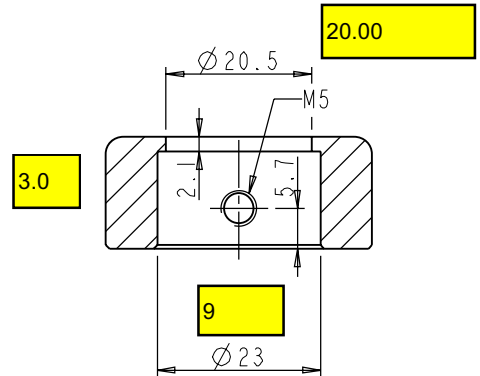
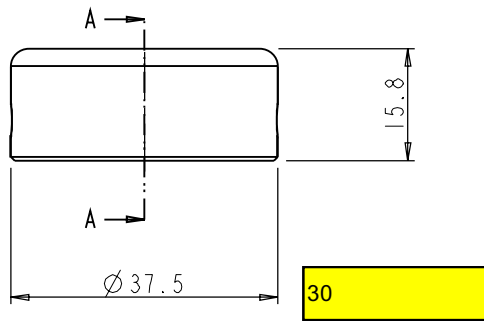
SECTION A-A



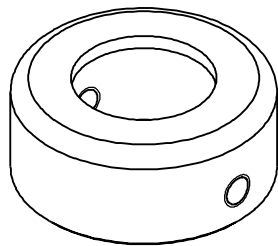
| | | | | | | |
|---|--|--------|----------------|--------------|------------------|-------|
| <p>hardware resources</p> <p>PROPRIETARY AND CONFIDENTIAL</p> <p>THE INFORMATION CONTAINED IN THIS DRAWING IS THE SOLE PROPERTY OF HARDWARE RESOURCES INC. ANY REPRODUCTION IN PART OR AS A WHOLE WITHOUT THE WRITTEN PERMISSION OF HARDWARE RESOURCES INC. IS PROHIBITED.</p> <p>DO NOT SCALE DRAWING</p> | ITEM#: | WASHER | | MATERIAL: | PA | |
| | FINISH: | | | WEIGHT: | 2.90 g | |
| | TOLERANCE UNLESS OTHERWISE SPECIFIED: | UNITS: | MM | DRAWN BY: | <i>Shawn Liu</i> | DATE: |
| | X ±0.20 X.I ±0.10 X.II ±0.05 ANGULAR: ±0.5° | SIZE: | A4 | APPROVED BY: | | DATE: |
| | SHEET: | | RELEASE LEVEL: | | REVISION: | |



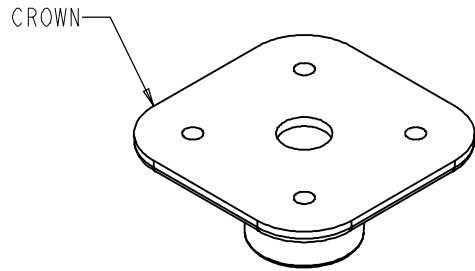
| | | | | |
|---|---|---|--|-----------|
|  PROPRIETARY AND CONFIDENTIAL THE INFORMATION CONTAINED IN THIS DRAWING IS THE SOLE PROPERTY OF HARDWARE RESOURCES INC. ANY REPRODUCTION IN PART OR AS A WHOLE WITHOUT THE WRITTEN PERMISSION OF HARDWARE RESOURCES INC. IS PROHIBITED. | ITEM#: | SA-LOCKER | | MATERIAL: |
| | FINISH: | | | WEIGHT: |
| | PROJECTION |  | | 9 |
| | TOLERANCE UNLESS OTHERWISE SPECIFIED: X ±0.20 X.I ±0.10 X.II ±0.05 ANGULAR ±0.5° DO NOT SCALE DRAWING | UNITS: | DRAWN BY:  | DATE: |
| SIZE: | A4 | APPROVED BY: | DATE: | |
| | SHEET: | RELEASE LEVEL: | REVISION: | |



SECTION A-A



| | | | | | | |
|--|--|--------|----------------|--------------|------------------|-------|
| <p>PROPRIETARY AND CONFIDENTIAL</p> <p>THE INFORMATION CONTAINED IN THIS DRAWING IS THE SOLE PROPERTY OF HARDWARE RESOURCES INC. ANY REPRODUCTION IN PART OR AS A WHOLE WITHOUT THE WRITTEN PERMISSION OF HARDWARE RESOURCES INC. IS PROHIBITED.</p> | ITEM: | LOCKER | | MATERIAL: | STEEL | |
| | FINISH: | | | WEIGHT: | 83.00 g | |
| | TOLERANCE UNLESS OTHERWISE SPECIFIED: | UNITS: | MM | DRAWN BY: | <i>Shawn Lee</i> | DATE: |
| | X ±0.20 X.I ±0.10 X.II ±0.05 ANGULAR: ±0.5° DO NOT SCALE DRAWING | SIZE: | A4 | APPROVED BY: | | DATE: |
| | SHEET: | | RELEASE LEVEL: | | REVISION: | |

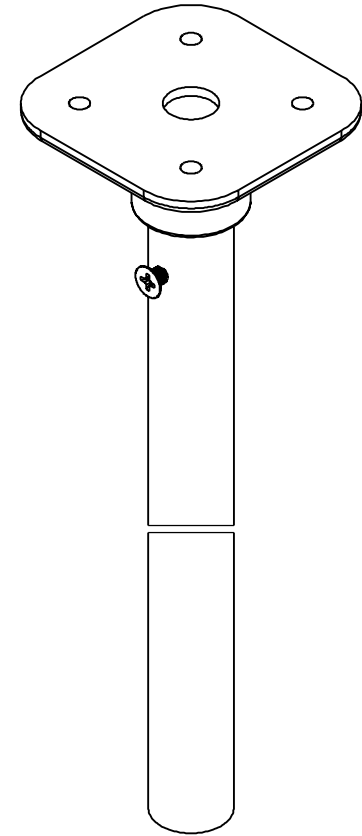


CROWN

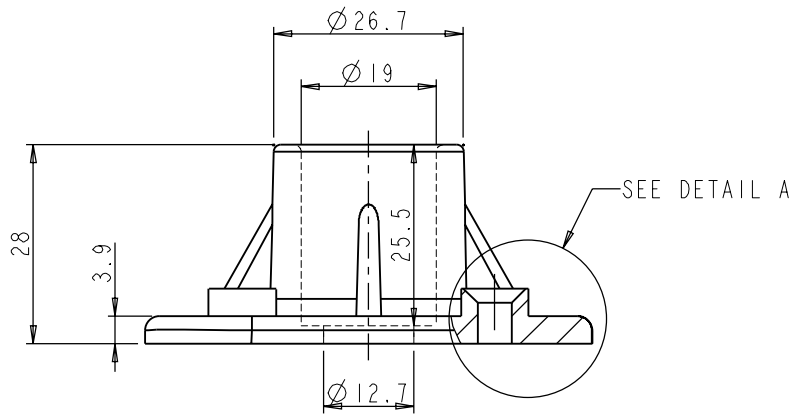


PIPE - INNOR

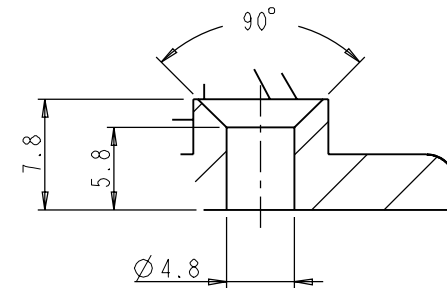
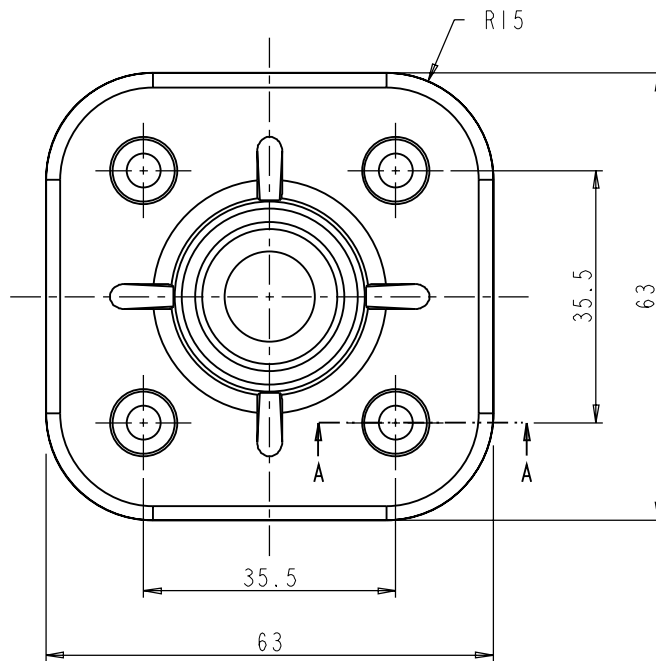
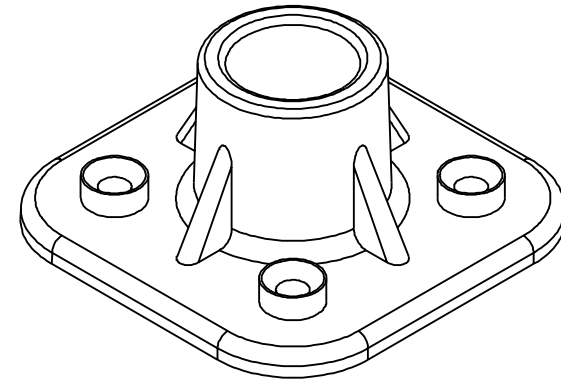
SCREW-FALT-HEAD-SHORT



| | | | | |
|--|---|--------|----------------|-------------------------------|
| | ITEM: SA - INNER-PIPE | | MATERIAL: | |
| | FINISH: | | WEIGHT: | |
| | PROPRIETARY AND CONFIDENTIAL THE INFORMATION CONTAINED IN THIS DRAWING IS THE SOLE PROPERTY OF HARDWARE RESOURCES INC. ANY REPRODUCTION IN PART OR AS A WHOLE WITHOUT THE WRITTEN PERMISSION OF HARDWARE RESOURCES INC. IS PROHIBITED. | | PROJECTION | |
| | TOLERANCE UNLESS OTHERWISE SPECIFIED: X ±0.20 X.I ±0.10 X.II ±0.05 ANGULAR: ±0.5° DO NOT SCALE DRAWING | | UNITS: A4 | DRAWN BY: <i>Shawn Lee</i> |
| | | SHEET: | APPROVED BY: | DATE: |
| | | SHEET: | RELEASE LEVEL: | REVISION: |

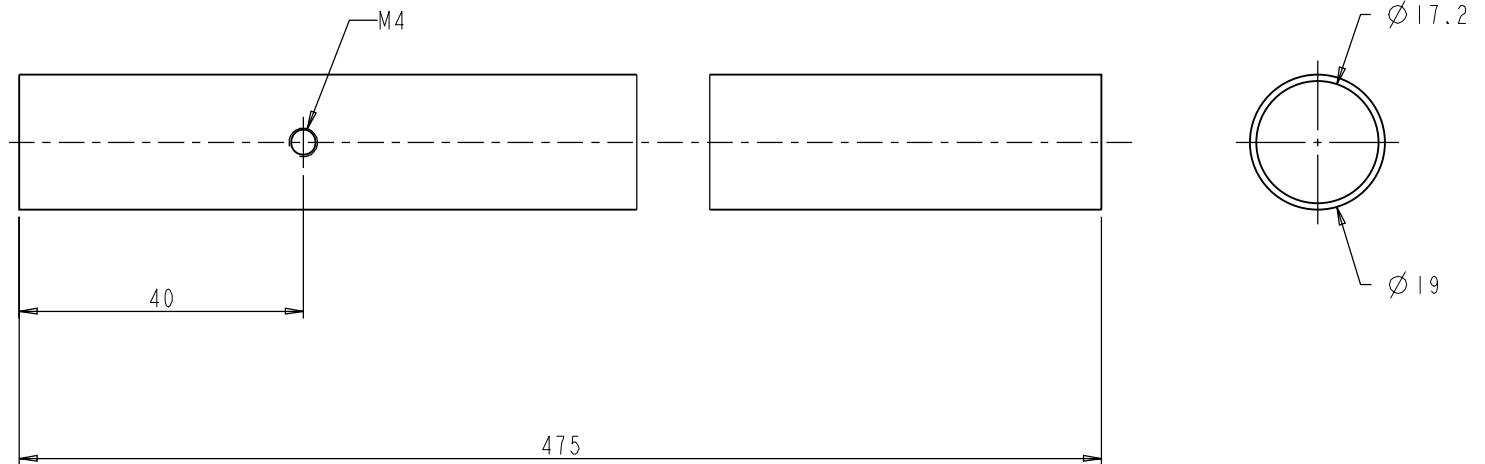


SECTION A-A

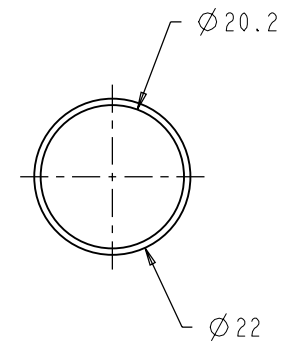
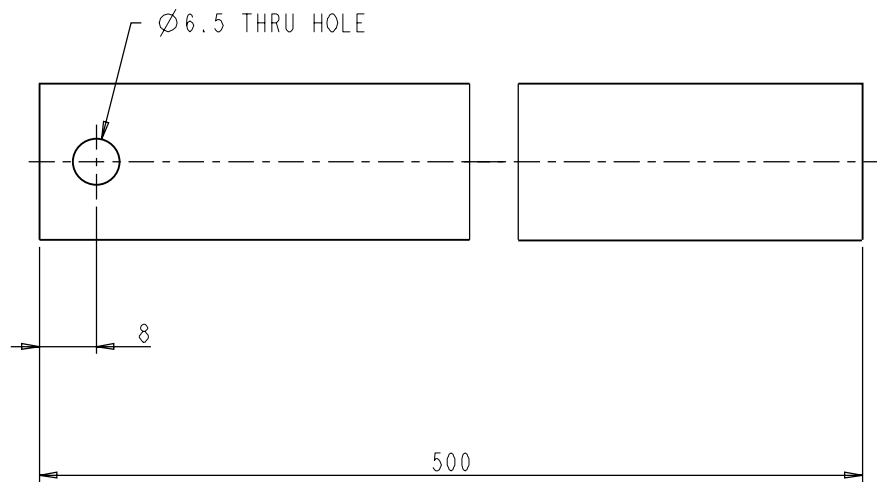



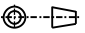

DETAIL A
SCALE 2:1

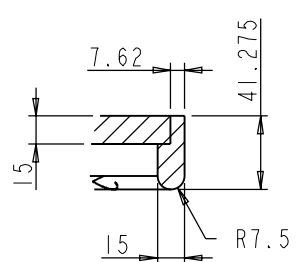
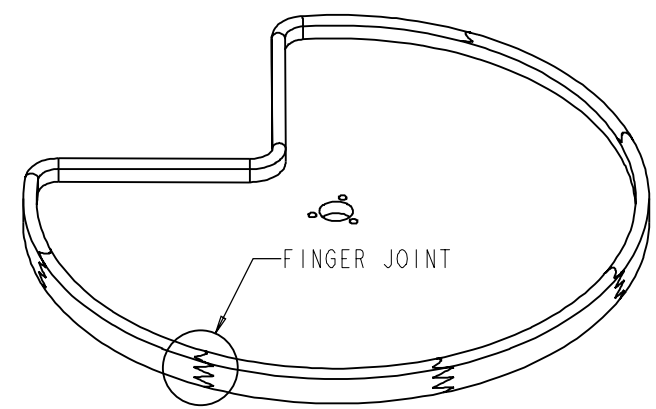
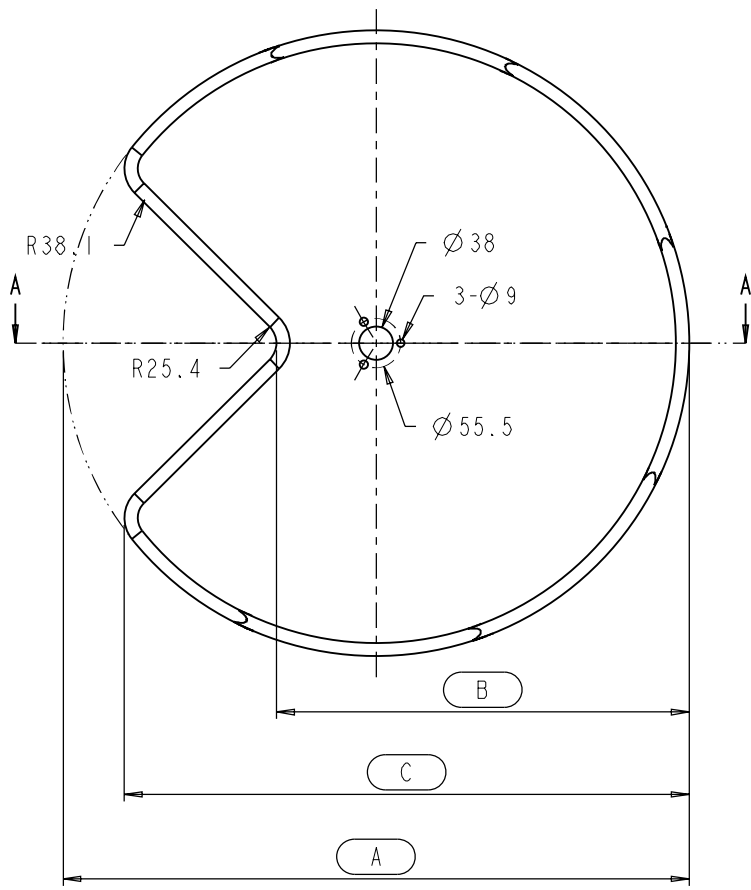
| | | | | | |
|--|---|---------------------------------|---|-----------------|-------------------------------------|
| | ITEM#: | CROWN | | MATERIAL: | ABS |
| | FINISH: | | | WEIGHT: | 23.30 g |
| PROPRIETARY AND CONFIDENTIAL THE INFORMATION CONTAINED IN THIS DRAWING IS THE SOLE PROPERTY OF HARDWARE RESOURCES INC. ANY REPRODUCTION IN PART OR AS A WHOLE WITHOUT THE WRITTEN PERMISSION OF HARDWARE RESOURCES INC. IS PROHIBITED. | TOLERANCE UNLESS OTHERWISE SPECIFIED: X ±0.20 X.I ±0.10 X.II ±0.05 ANGULAR: ±0.5° DO NOT SCALE DRAWING | UNITS: MM SIZE: A4 SHEET: | DRAWN BY: <i>Shawn Liu</i> APPROVED BY: RELEASE LEVEL: | PROJECTION: | DATE: DATE: REVISION: |



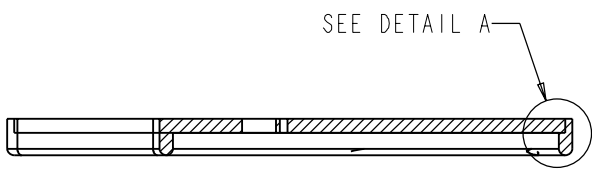
| | | | | | |
|---|--|--|--|-----------------------|------------------|
| | ITEM: PIPE - INNOR | | MATERIAL: STEEL | | |
| | FINISH: | | WEIGHT: 189.54 g | | |
| <p>PROPRIETARY AND CONFIDENTIAL</p> <p>THE INFORMATION CONTAINED IN THIS DRAWING IS THE SOLE PROPERTY OF HARDWARE RESOURCES INC. ANY REPRODUCTION IN PART OR AS A WHOLE WITHOUT THE WRITTEN PERMISSION OF HARDWARE RESOURCES INC. IS PROHIBITED.</p> | <p>PROJECTION</p> | | <p>DRW BY: <i>Shawn Liu</i></p> <p>DATE:</p> | | |
| | <p>TOLEANCE UNLESS OTHERWISE SPECIFIED:</p> <p>X ± 0.20</p> <p>X.I ± 0.10</p> <p>X.II ± 0.05</p> <p>ANGULAR: $\pm 0.5^\circ$</p> | | <p>UNITS: MM</p> | <p>APPROVED BY:</p> | <p>DATE:</p> |
| | <p>DO NOT SCALE DRAWING</p> | | <p>SIZE: A4</p> | <p>RELEASE LEVEL:</p> | <p>REVISION:</p> |
| | | | <p>SHEET:</p> | <p>RELEASE LEVEL:</p> | <p>REVISION:</p> |



| | | | | | |
|---|--|------------|----------------|---|---|
|  PROPRIETARY AND CONFIDENTIAL THE INFORMATION CONTAINED IN THIS DRAWING IS THE SOLE PROPERTY OF HARDWARE RESOURCES INC. ANY REPRODUCTION IN PART OR AS A WHOLE WITHOUT THE WRITTEN PERMISSION OF HARDWARE RESOURCES INC. IS PROHIBITED. | ITEM: | PIPE-OUTER | | MATERIAL: | STEEL |
| | FINISH: | | | WEIGHT: | 232.20 g |
| | PROJECTION: | | |  | |
| | TOLERANCE UNLESS OTHERWISE SPECIFIED: X ±0.20 X.I ±0.10 X.II ±0.05 ANGULAR: ±0.5° DO NOT SCALE DRAWING | UNITS: | MM | DRAWN BY: |  |
| | SIZE: | A4 | APPROVED BY: | DATE: | |
| | SHEET: | | RELEASE LEVEL: | REVISION: | |



DETAIL A
SCALE 1:4



SECTION A-A

Spec Sheet:

| ITEM NO. | A (MM) | B (MM) | C (MM) |
|----------|--------|--------|--------|
| LSK24 | 608 | 374 | 532.5 |
| LSK28 | 705 | 464.5 | 636 |
| LSK32 | 806.5 | 557.2 | 740.5 |

| | | | | | |
|--|---|--------|----|----------------|------------------|
| | ITEM NO. | LSK | | MATERIAL | PLY WOOD |
| | FINISH: | | | WEIGHT: | 9 |
| PROPRIETARY AND CONFIDENTIAL THE INFORMATION CONTAINED IN THIS DRAWING IS THE SOLE PROPERTY OF HARDWARE RESOURCES INC. ANY REPRODUCTION IN PART OR AS A WHOLE WITHOUT THE WRITTEN PERMISSION OF HARDWARE RESOURCES INC. IS PROHIBITED. | TOLERANCE UNLESS OTHERWISE SPECIFIED: | UNITS: | MM | DRAWN BY: | <i>Shawn Lee</i> |
| | X ± 0.20 X.I ± 0.10 X.II ± 0.05 ANGULAR: $\pm 0.5^\circ$ | SIZE: | A4 | APPROVED BY: | |
| | DO NOT SCALE DRAWING | SHEET: | | RELEASE LEVEL: | REVISION: |