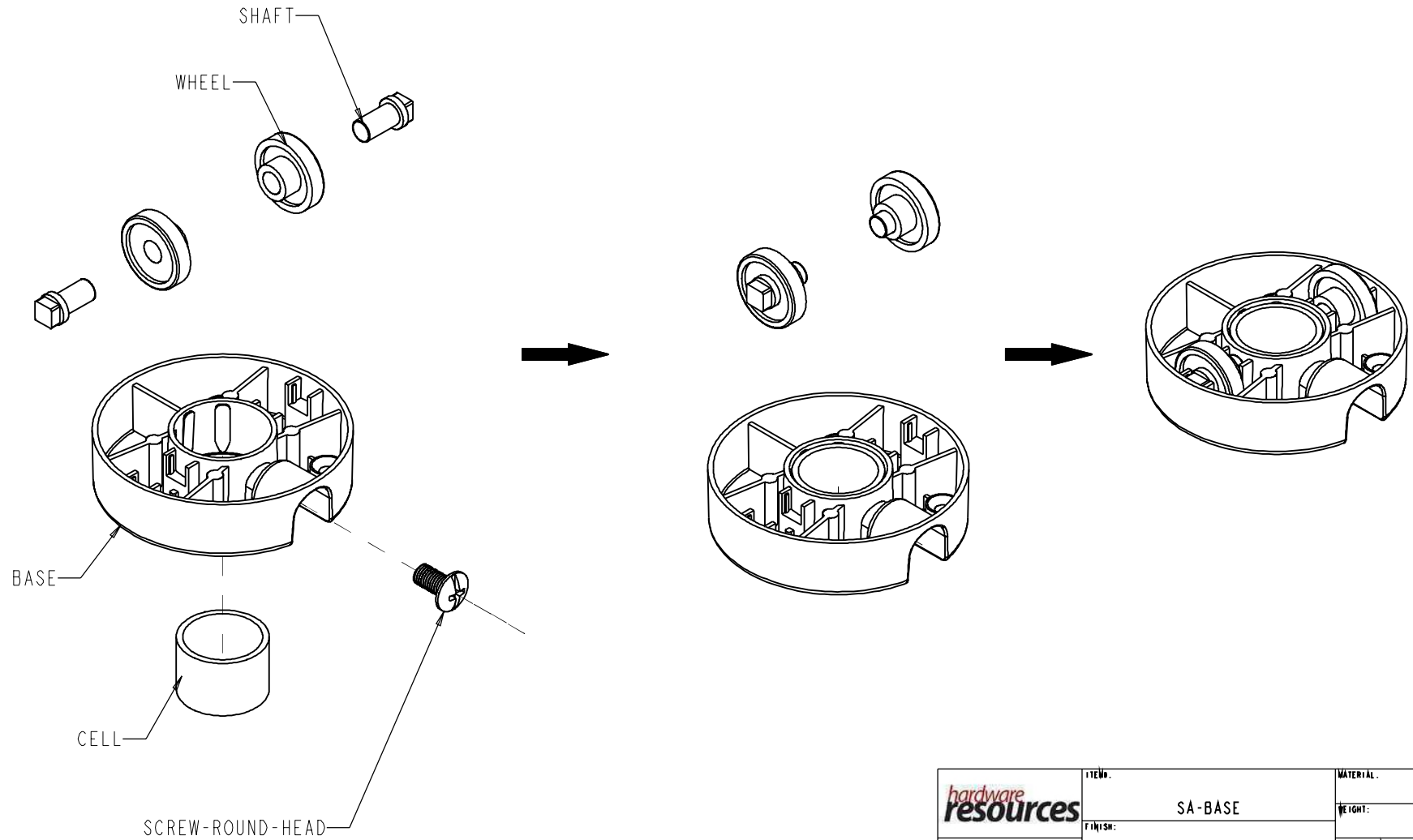


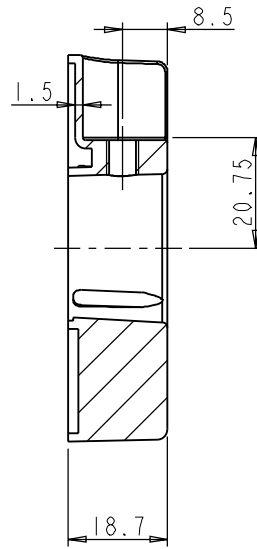
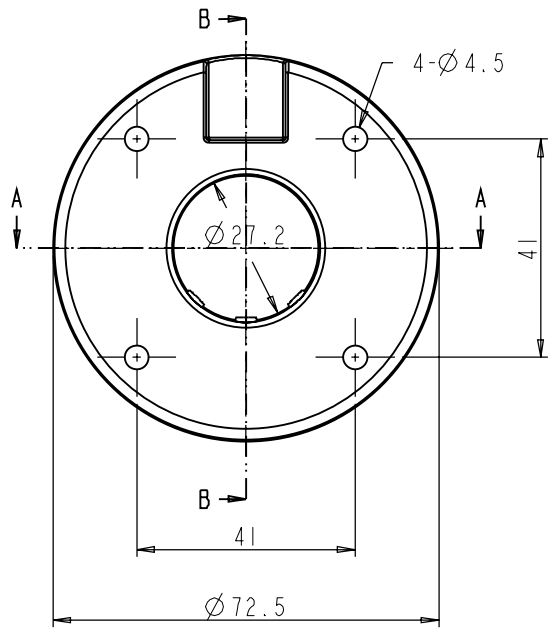
**BILLS OF MATERIAL:**

NO.	ITEM#	MATERIAL	QTY	UNIT WEIGHT	TOTL WEIGHT	TYPE	ASSY LEVEL
9	SA-INNER-PIPE	ASSEMBLY	1	238.81	238.81	ASSEMBLY	1
8	SA-LOCKER	ASSEMBLY	1	83.83	83.83	ASSEMBLY	1
7	SCREW-FLAT-HEAD-LONG	STEEL	6	1.33	7.95	PART	1
6	SA-COVER	ASSEMBLY	2	140.58	281.16	ASSEMBLY	1
5	LSK	WOOD	2			PART	1
4	SA-CONNECTOR	ASSEMBLY	2	225.90	451.81	ASSEMBLY	1
3	SCREW-WOODEN	STEEL	4	0.71	2.82	PART	1
2	SA-BASE	ASSEMBLY	2	159.39	318.78	ASSEMBLY	1
1	PIPE-OUTER	STEEL	1	326.59	326.59	PART	1

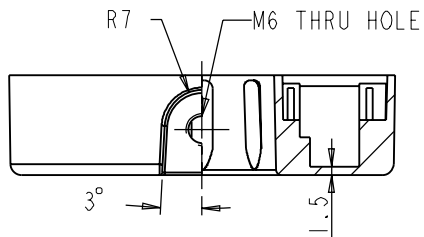
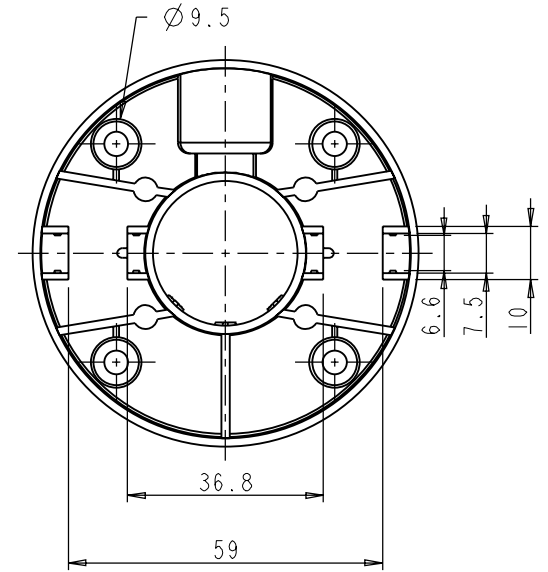
	ITEM#		LSR-SET		MATERIAL		
	FINISH:				WEIGHT:		
<p><b>PROPRIETARY AND CONFIDENTIAL</b></p> <p>THE INFORMATION CONTAINED IN THIS DRAWING IS THE SOLE PROPERTY OF HARDWARE RESOURCES INC. ANY REPRODUCTION IN PART OR AS A WHOLE WITHOUT THE WRITTEN PERMISSION OF HARDWARE RESOURCES INC. IS PROHIBITED.</p>	TOLERANCE UNLESS OTHERWISE SPECIFIED:		UNITS:		DRAWN BY:		
	X ±0.20		A4		DATE:		
	X.I ±0.10		APPROVED BY:		DATE:		
	X.II ±0.05		RELEASE LEVEL:		REVISION:		
ANGULAR: ±0.5°		DO NOT SCALE DRAWING					



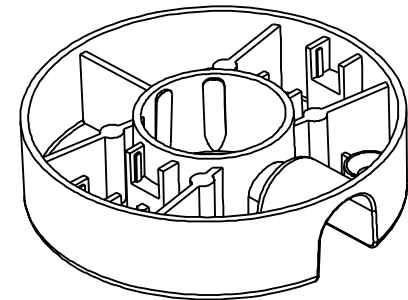
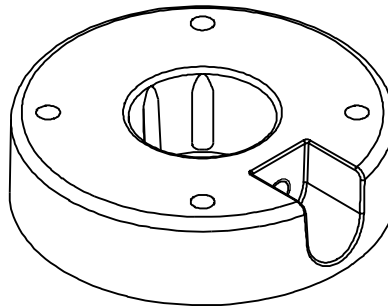
<b>hardware resources</b> PROPRIETARY AND CONFIDENTIAL THE INFORMATION CONTAINED IN THIS DRAWING IS THE SOLE PROPERTY OF HARDWARE RESOURCES INC. ANY REPRODUCTION IN PART OR AS A WHOLE WITHOUT THE WRITTEN PERMISSION OF HARDWARE RESOURCES INC. IS PROHIBITED.	ITEM#:	SA-BASE		MATERIAL:
	FINISH:			WEIGHT:
	TOLERANCE UNLESS OTHERWISE SPECIFIED: X ±0.20 X.II ±0.10 X.III ±0.05 ANGULAR: ±0.5° DO NOT SCALE DRAWING	UNITS:	DRAWN BY: <i>Shankar</i>	DATE:
	SIZE: A4	APPROVED BY:	DATE:	
	SHEET:	RELEASE LEVEL:	REVISION:	
			9	PROJECTION



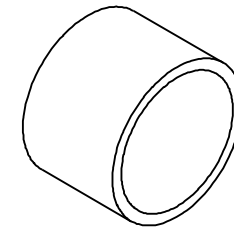
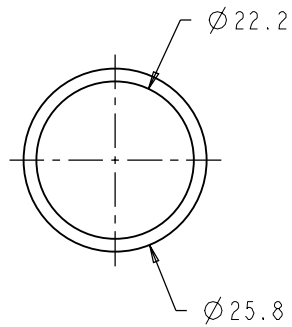
SECTION B-B




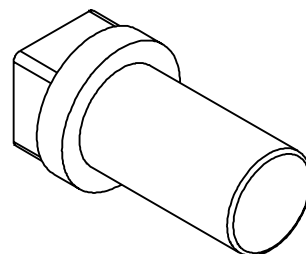
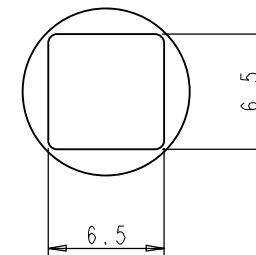
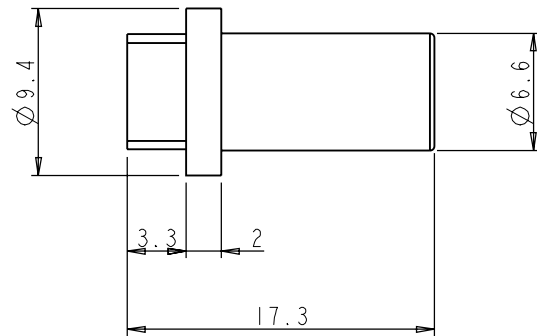
SECTION A-A



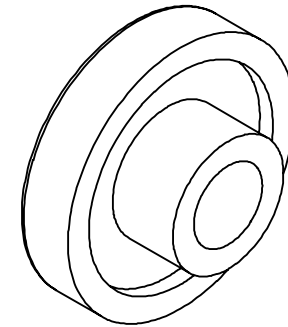
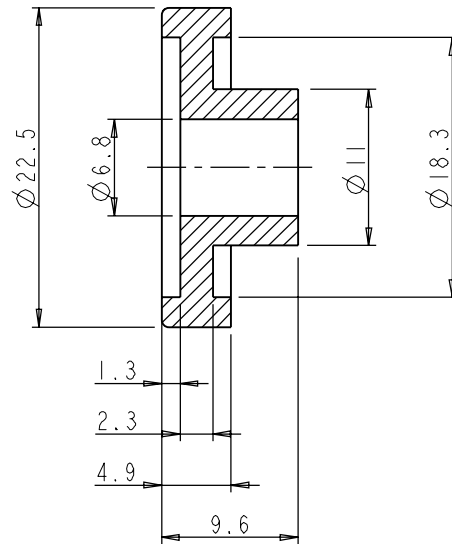
<b>hardwareresources</b> PROPRIETARY AND CONFIDENTIAL THE INFORMATION CONTAINED IN THIS DRAWING IS THE SOLE PROPERTY OF HARDWARE RESOURCES INC. ANY REPRODUCTION IN PART OR AS A WHOLE WITHOUT THE WRITTEN PERMISSION OF HARDWARE RESOURCES INC. IS PROHIBITED.	ITEM#:	BASE		MATERIAL:	ZINC
	FINISH:			WEIGHT:	133.30 g
	TOLERANCE UNLESS OTHERWISE SPECIFIED:	UNITS:	MM	DRAWN BY:	<i>Shawn Liu</i>
	X $\pm 0.20$ X.I $\pm 0.10$ X.II $\pm 0.05$ ANGULAR: $\pm 0.5^\circ$	SIZE:	A4	APPROVED BY:	DATE:
DO NOT SCALE DRAWING	SHEET:		RELEASE LEVEL:	REVISION:	



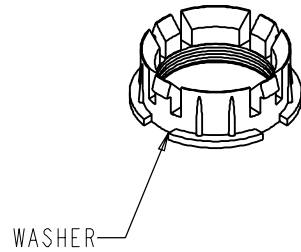
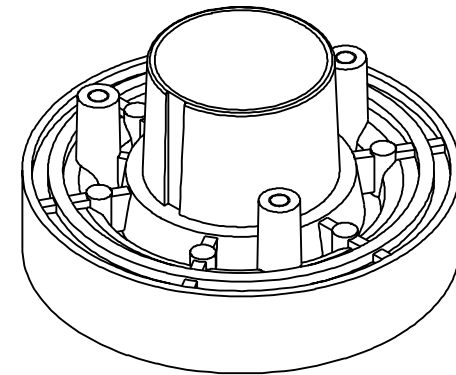
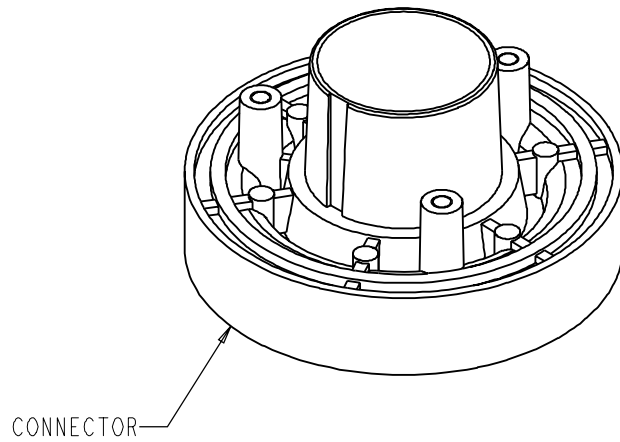
 <b>PROPRIETARY AND CONFIDENTIAL</b> THE INFORMATION CONTAINED IN THIS DRAWING IS THE SOLE PROPERTY OF HARDWARE RESOURCES INC. ANY REPRODUCTION IN PART OR AS A WHOLE WITHOUT THE WRITTEN PERMISSION OF HARDWARE RESOURCES INC. IS PROHIBITED.	ITEM#:	CELL		MATERIAL:	PA
	FINISH:			WEIGHT:	2.80 g
	PROJECTION			UNITS:	MM
	TOLERANCE UNLESS OTHERWISE SPECIFIED: X ±0.20 X.I ±0.10 X.II ±0.05 ANGULAR: ±0.5° DO NOT SCALE DRAWING	DRAWN BY: <i>Shawn Liu</i>	DATE:		APPROVED BY: DATE:
SIZE:	A4	SHEET:		RELEASE LEVEL:	



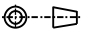


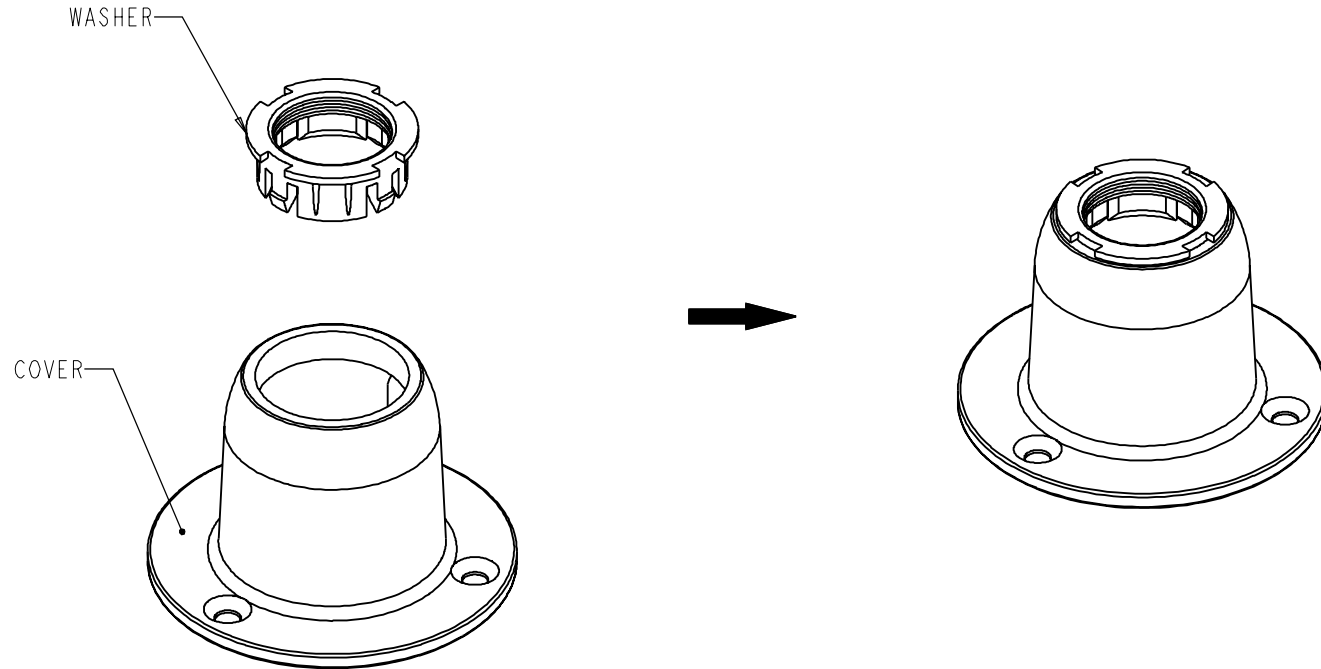
<p><b>hardware resources</b></p> <p>PROPRIETARY AND CONFIDENTIAL</p> <p>THE INFORMATION CONTAINED IN THIS DRAWING IS THE SOLE PROPERTY OF HARDWARE RESOURCES INC. ANY REPRODUCTION IN PART OR AS A WHOLE WITHOUT THE WRITTEN PERMISSION OF HARDWARE RESOURCES INC. IS PROHIBITED.</p> <p>DO NOT SCALE DRAWING</p>	ITEM#:	SHAFT		MATERIAL:	ABS
	FINISH:			WEIGHT:	0.50 g
	PROJECTION:			PROJECTION:	
	TOLERANCE UNLESS OTHERWISE SPECIFIED: X $\pm 0.20$ X.I $\pm 0.10$ X.II $\pm 0.05$ ANGULAR: $\pm 0.5^\circ$	UNITS:	MM	DRAWN BY:	<i>Shawn Liu</i>
	SIZE:	A4	APPROVED BY:		DATE:
	SHEET:		RELEASE LEVEL:		REVISION:



<p><b>hardwareresources</b></p> <p>PROPRIETARY AND CONFIDENTIAL</p> <p>THE INFORMATION CONTAINED IN THIS DRAWING IS THE SOLE PROPERTY OF HARDWARE RESOURCES INC. ANY REPRODUCTION IN PART OR AS A WHOLE WITHOUT THE WRITTEN PERMISSION OF HARDWARE RESOURCES INC. IS PROHIBITED.</p>	ITEM:	WHEEL		MATERIAL:	ABS
	FINISH:			WEIGHT:	1.30 g
	PROJECTION:			PROJECTION:	
	<p>TOLENANCE UNLESS OTHERWISE SPECIFIED:</p> <p>X <math>\pm 0.20</math></p> <p>X.I <math>\pm 0.10</math></p> <p>X.II <math>\pm 0.05</math></p> <p>ANGULAR: <math>\pm 0.5^\circ</math></p> <p>DO NOT SCALE DRAWING</p>	UNITS:	MM	DRAWN BY:	<i>Shawn Liu</i>
	SIZE:	A4	APPROVED BY:		DATE:
	SHEET:		RELEASE LEVEL:		REVISION:

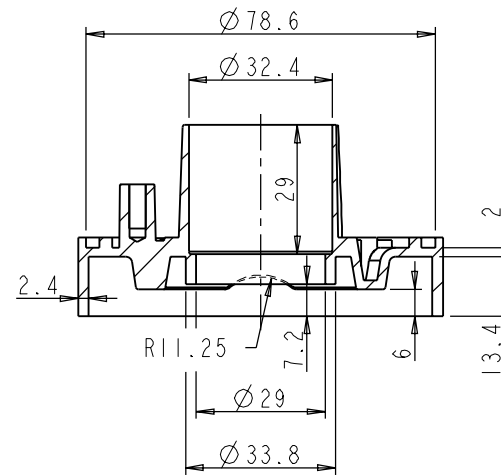
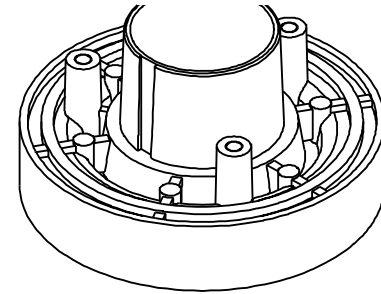
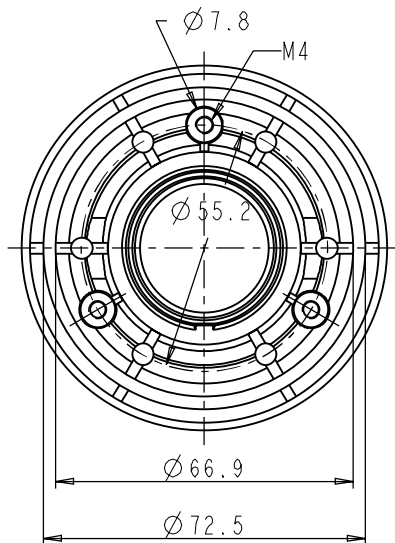
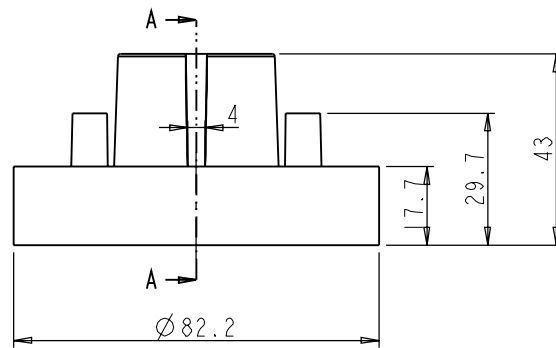
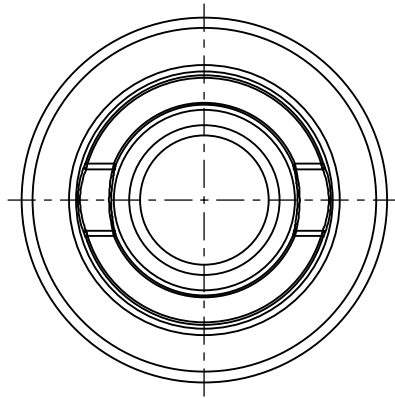


 <b>PROPRIETARY AND CONFIDENTIAL</b> THE INFORMATION CONTAINED IN THIS DRAWING IS THE SOLE PROPERTY OF HARDWARE RESOURCES INC. ANY REPRODUCTION IN PART OR AS A WHOLE WITHOUT THE WRITTEN PERMISSION OF HARDWARE RESOURCES INC. IS PROHIBITED.	ITEM#:	SA-CONNECTOR		MATERIAL:
	FINISH:			WEIGHT:
	TOLERANCE UNLESS OTHERWISE SPECIFIED: X ±0.20 X.I ±0.10 X.II ±0.05 ANGULAR: ±0.5° DO NOT SCALE DRAWING	UNITS:	DRAWN BY: 	DATE:
	SIZE: A4	APPROVED BY:	DATE:	
	SHEET:	RELEASE LEVEL:	REVISION:	
				PROJECTION 



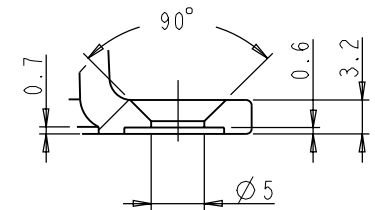
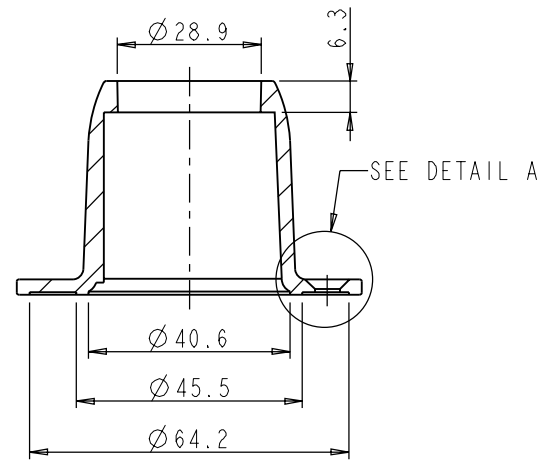
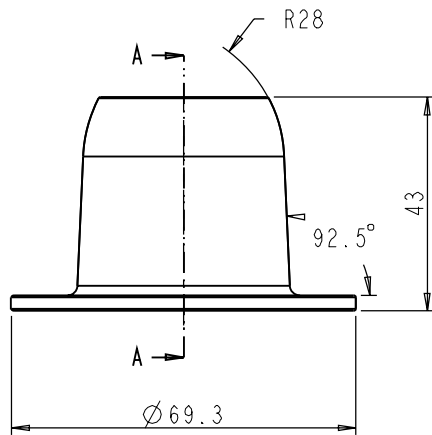
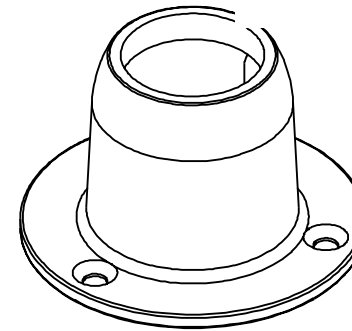
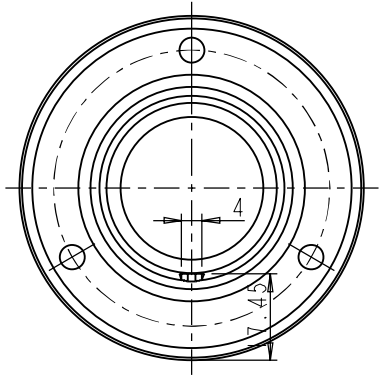
<p><b>hardware resources</b></p> <p>PROPRIETARY AND CONFIDENTIAL</p> <p>THE INFORMATION CONTAINED IN THIS DRAWING IS THE SOLE PROPERTY OF HARDWARE RESOURCES INC. ANY REPRODUCTION IN PART OR AS A WHOLE WITHOUT THE WRITTEN PERMISSION OF HARDWARE RESOURCES INC. IS PROHIBITED.</p>	ITEM#:	SA-COVER		MATERIAL:	
	FINISH:			WEIGHT:	9
	PROJECTION			DATE:	
	<p>UNITS:</p> <p>SIZE: A4</p> <p>SHEET:</p>	<p>APPROVED BY:</p> <p>RELEASE LEVEL:</p>	<p>DATE:</p> <p>REVISION:</p>		
<p>TOLEANCE UNLESS OTHERWISE SPECIFIED:</p> <p>X ±0.20</p> <p>X.I ±0.10</p> <p>X.II ±0.05</p> <p>ANGULAR: ±0.5°</p> <p>DO NOT SCALE DRAWING</p>	<p>DRAWN BY:</p> <p><i>Shanika</i></p>	<p>DATE:</p>			



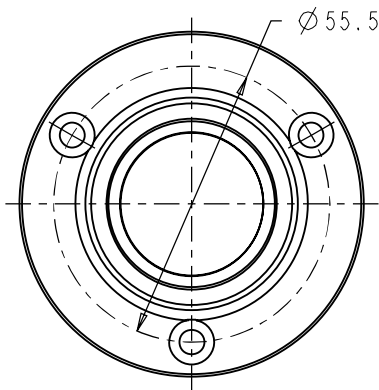


SECTION A-A

<p><b>hardware resources</b></p> <p>PROPRIETARY AND CONFIDENTIAL</p> <p>THE INFORMATION CONTAINED IN THIS DRAWING IS THE SOLE PROPERTY OF HARDWARE RESOURCES INC. ANY REPRODUCTION IN PART OR AS A WHOLE WITHOUT THE WRITTEN PERMISSION OF HARDWARE RESOURCES INC. IS PROHIBITED.</p>	ITEM#:	CONNECTOR		MATERIAL:	ZINC	
	FINISH:			WEIGHT:	236.00 g	
	TOLERANCE UNLESS OTHERWISE SPECIFIED:	UNITS:	MM	DRAWN BY:	<i>Shawn Liu</i>	DATE:
	X ±0.20 X.I ±0.10 X.II ±0.05 ANGULAR: ±0.5°	SIZE:	A4	APPROVED BY:		DATE:
DO NOT SCALE DRAWING	SHEET:		RELEASE LEVEL:		REVISION:	

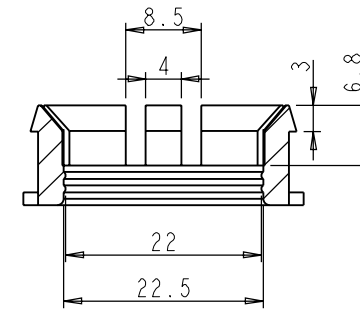
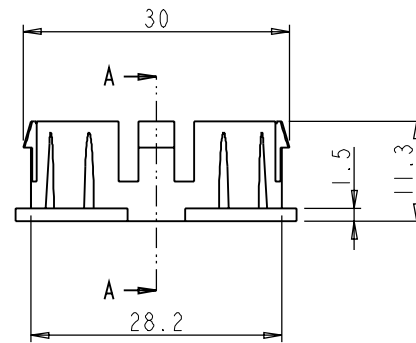
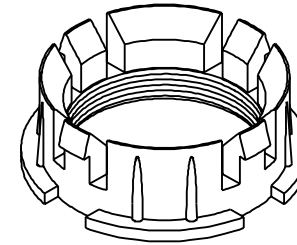
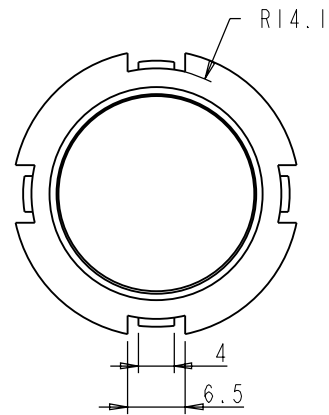


DETAIL A  
SCALE 3:2

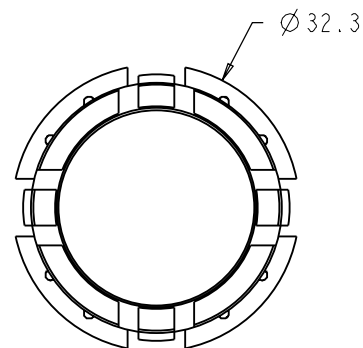


SECTION A-A

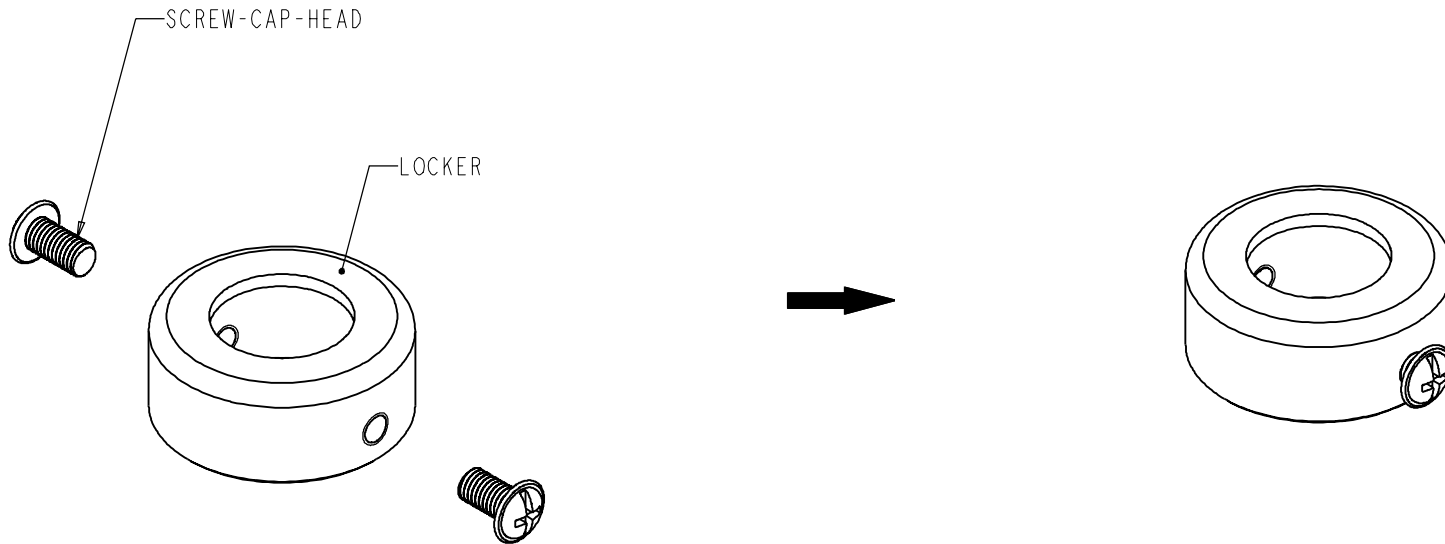
<p><b>hardwareresources</b></p> <p>PROPRIETARY AND CONFIDENTIAL</p> <p>THE INFORMATION CONTAINED IN THIS DRAWING IS THE SOLE PROPERTY OF HARDWARE RESOURCES INC. ANY REPRODUCTION IN PART OR AS A WHOLE WITHOUT THE WRITTEN PERMISSION OF HARDWARE RESOURCES INC. IS PROHIBITED.</p>	ITEM#:	COVER		MATERIAL:	ZINC
	FINISH:			WEIGHT:	136.50 g
	PROJECTION:			PROJECTION:	
	TOLERANCE UNLESS OTHERWISE SPECIFIED: X ±0.20 X.I ±0.10 X.II ±0.05 ANGULAR: ±0.5° DO NOT SCALE DRAWING	UNITS:	MM	DRAWN BY:	<i>Shawn Liu</i>
	SIZE:	A4	APPROVED BY:		DATE:
	SHEET:		RELEASE LEVEL:		REVISION:


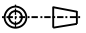



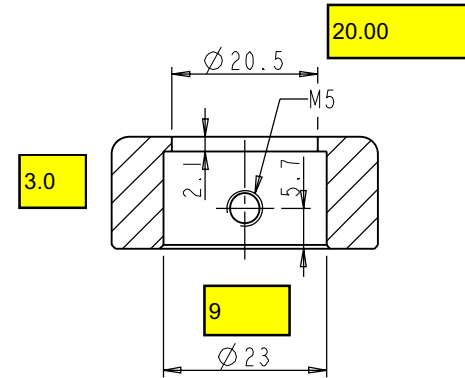
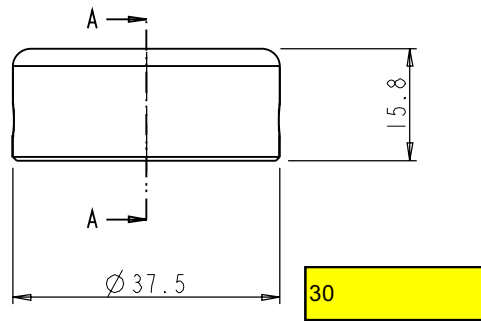
SECTION A-A



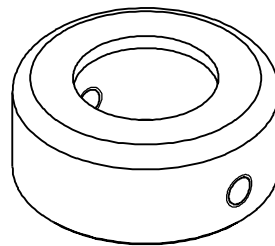
<p><b>hardwareresources</b></p> <p>PROPRIETARY AND CONFIDENTIAL</p> <p>THE INFORMATION CONTAINED IN THIS DRAWING IS THE SOLE PROPERTY OF HARDWARE RESOURCES INC. ANY REPRODUCTION IN PART OR AS A WHOLE WITHOUT THE WRITTEN PERMISSION OF HARDWARE RESOURCES INC. IS PROHIBITED.</p>	ITEM#:	WASHER		MATERIAL:	PA
	FINISH:			WEIGHT:	2.90 g
	TOLERANCE UNLESS OTHERWISE SPECIFIED:	UNITS:	MM	DRAWN BY:	DATE:
	X ±0.20 X.I ±0.10 X.II ±0.05 ANGULAR: ±0.5°	SIZE:	A4	APPROVED BY:	DATE:
DO NOT SCALE DRAWING	SHEET:		RELEASE LEVEL:	REVISION:	



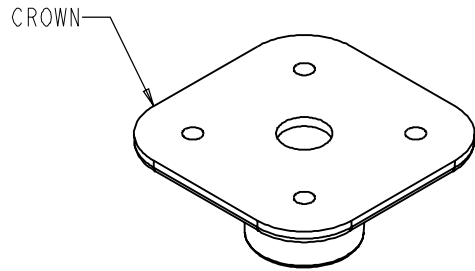
 <b>PROPRIETARY AND CONFIDENTIAL</b> THE INFORMATION CONTAINED IN THIS DRAWING IS THE SOLE PROPERTY OF HARDWARE RESOURCES INC. ANY REPRODUCTION IN PART OR AS A WHOLE WITHOUT THE WRITTEN PERMISSION OF HARDWARE RESOURCES INC. IS PROHIBITED.	ITEM#:	SA-LOCKER		MATERIAL:	
	FINISH:			WEIGHT:	9
	PROJECTION			DATE:	
	TOLERANCE UNLESS OTHERWISE SPECIFIED: X ±0.20 X.II ±0.10 X.III ±0.05 ANGULAR: ±0.5° DO NOT SCALE DRAWING	UNITS:	DRAWN BY: 	APPROVED BY:	DATE:
	SIZE: A4	SHEET:	RELEASE LEVEL:	REVISION:	



SECTION A-A



<p><b>hardwareresources</b></p> <p>PROPRIETARY AND CONFIDENTIAL</p> <p>THE INFORMATION CONTAINED IN THIS DRAWING IS THE SOLE PROPERTY OF HARDWARE RESOURCES INC. ANY REPRODUCTION IN PART OR AS A WHOLE WITHOUT THE WRITTEN PERMISSION OF HARDWARE RESOURCES INC. IS PROHIBITED.</p> <p>DO NOT SCALE DRAWING</p>	ITEM#:	LOCKER		MATERIAL:	STEEL	
	FINISH:			WEIGHT:	83.00 g	
	TOLERANCE UNLESS OTHERWISE SPECIFIED:	UNITS:	MM	DRAWN BY:	<i>Shawn Liu</i>	DATE:
	X ±0.20 X.II ±0.10 X.III ±0.05 ANGULAR: ±0.5°	SIZE:	A4	APPROVED BY:		DATE:
	SHEET:		RELEASE LEVEL:		REVISION:	

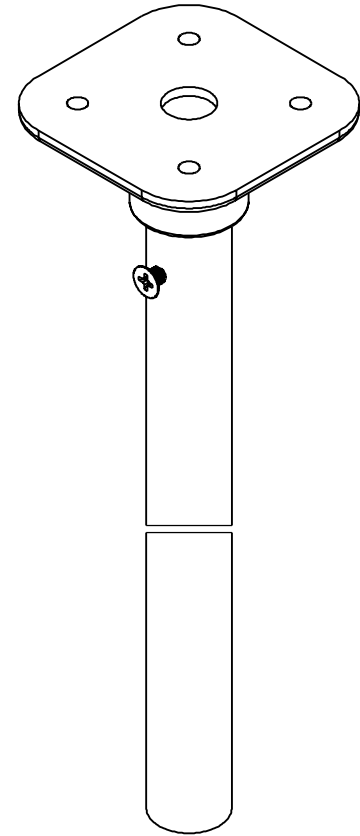



CROWN

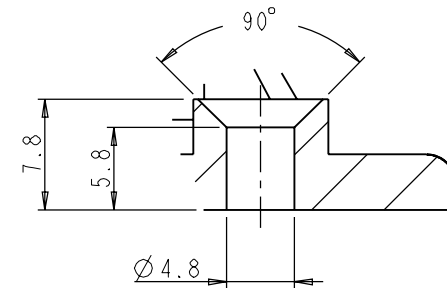
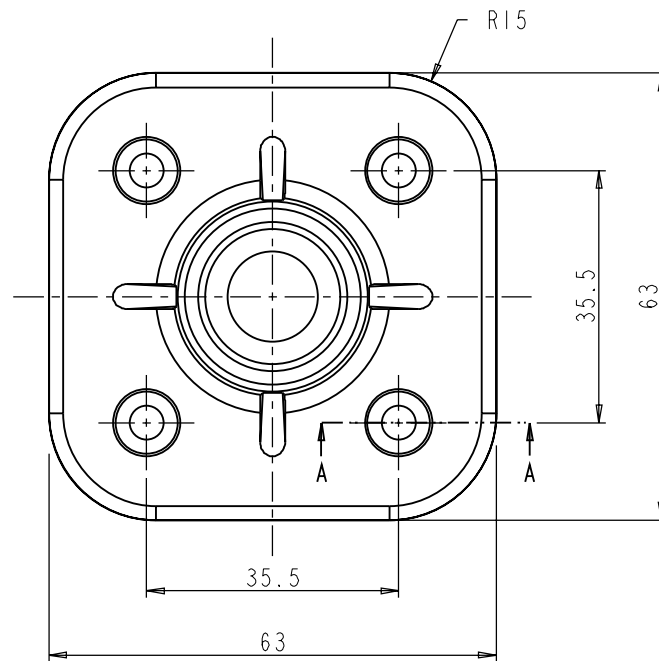
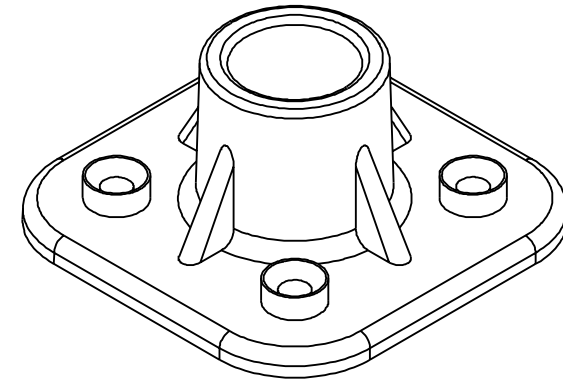
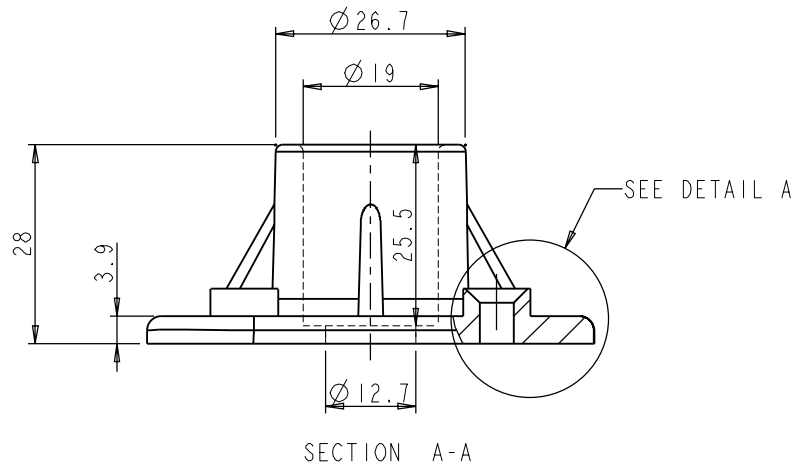
SCREW-FALT-HEAD-SHORT



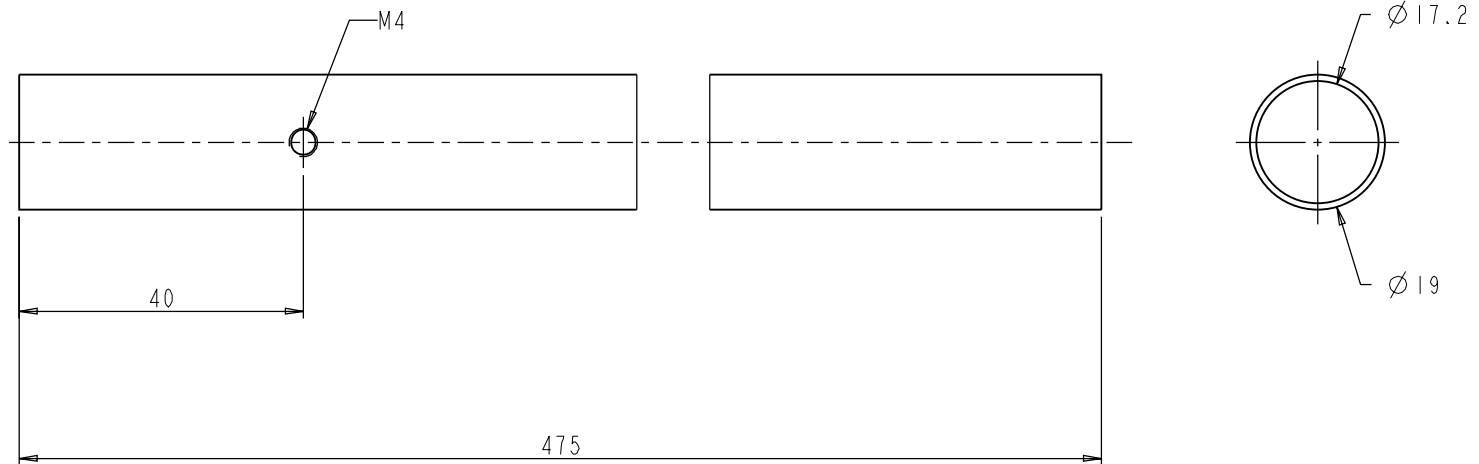
PIPE - INNOR




 <b>PROPRIETARY AND CONFIDENTIAL</b> THE INFORMATION CONTAINED IN THIS DRAWING IS THE SOLE PROPERTY OF HARDWARE RESOURCES INC. ANY REPRODUCTION IN PART OR AS A WHOLE WITHOUT THE WRITTEN PERMISSION OF HARDWARE RESOURCES INC. IS PROHIBITED.	ITEM:	SA - INNER-PIPE		MATERIAL:
	FINISH:			WEIGHT:
	TOLERANCE UNLESS OTHERWISE SPECIFIED:	UNITS:	DRAWN BY:	DATE:
	X ±0.20 X.I ±0.10 X.II ±0.05 ANGULAR ±0.5° DO NOT SCALE DRAWING	A4 SHEET:	<i>Shawn Lee</i> APPROVED BY:	DATE:
	RELEASE LEVEL:	PROJECTION	REVISION:	

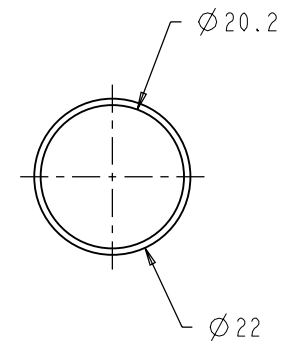
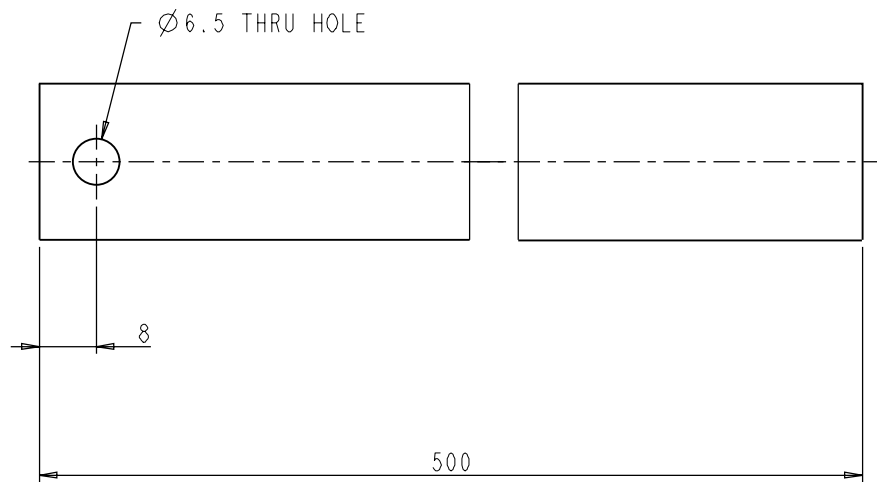


<b>hardwareresources</b> PROPRIETARY AND CONFIDENTIAL THE INFORMATION CONTAINED IN THIS DRAWING IS THE SOLE PROPERTY OF HARDWARE RESOURCES INC. ANY REPRODUCTION IN PART OR AS A WHOLE WITHOUT THE WRITTEN PERMISSION OF HARDWARE RESOURCES INC. IS PROHIBITED.	ITEM#:	CROWN		MATERIAL:	ABS	
	FINISH:			WEIGHT:	23.30 g	
	TOLERANCE UNLESS OTHERWISE SPECIFIED: X ±0.20 X.I ±0.10 X.II ±0.05 ANGULAR: ±0.5° DO NOT SCALE DRAWING	UNITS: MM SIZE: A4 SHEET:	DRAWN BY: <i>Shawn Liu</i> APPROVED BY:	PROJECTION:	DATE:	
	DATE:		RELEASE LEVEL:		REVISION:	

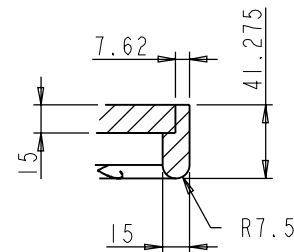
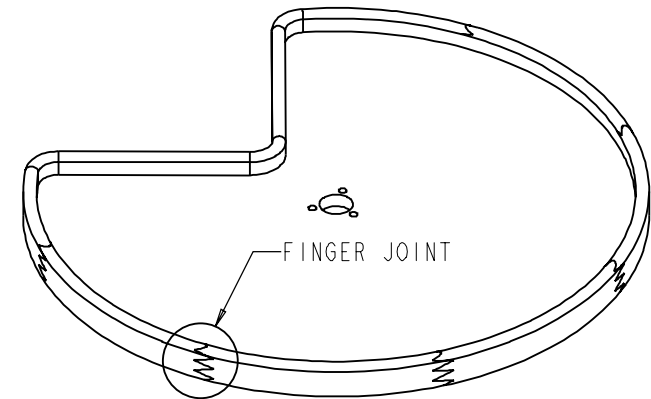
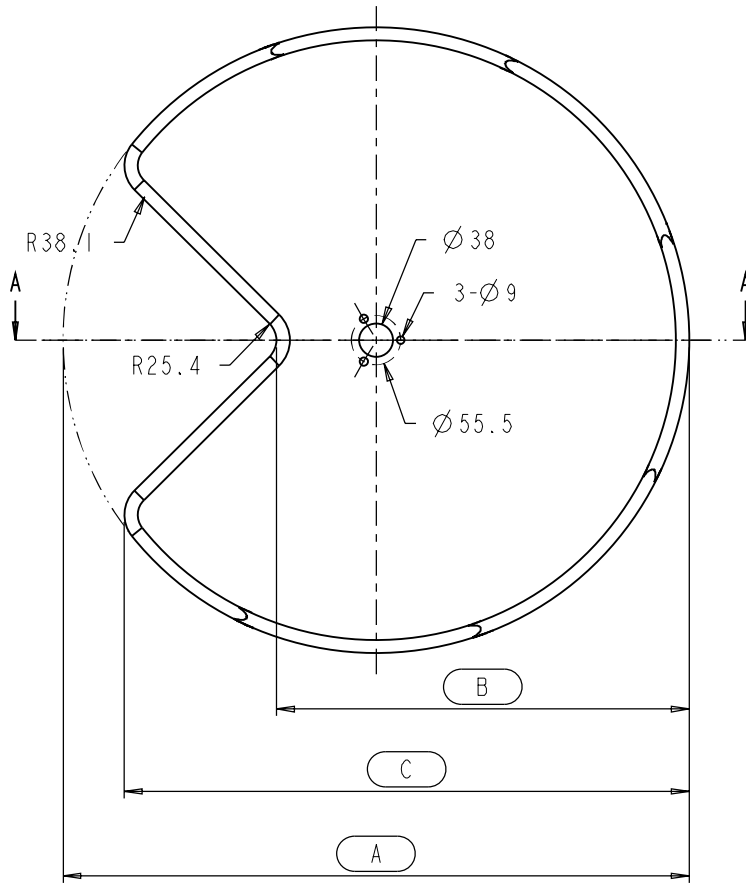


 <b>PROPRIETARY AND CONFIDENTIAL</b> THE INFORMATION CONTAINED IN THIS DRAWING IS THE SOLE PROPERTY OF HARDWARE RESOURCES INC. ANY REPRODUCTION IN PART OR AS A WHOLE WITHOUT THE WRITTEN PERMISSION OF HARDWARE RESOURCES INC. IS PROHIBITED.	ITEM#:		PIPE - INNOR		MATERIAL:	STEEL	
	FINISH:				WEIGHT:	189.54 g	
	TOLERANCE UNLESS OTHERWISE SPECIFIED:		UNITS:	MM	DRAWN BY:	<i>Shawn Liu</i>	
	X ±0.20 X.II ±0.10 X.III ±0.05 ANGULAR: ±0.5° DO NOT SCALE DRAWING		SIZE:	A4	APPROVED BY:	DATE:	
		SHEET:		RELEASE LEVEL:	REVISION:		





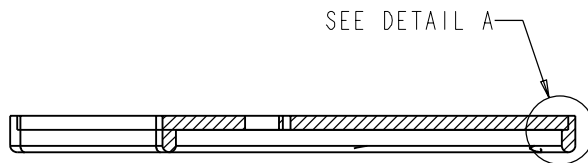
<p><b>hardwareresources</b></p> <p>PROPRIETARY AND CONFIDENTIAL</p> <p>THE INFORMATION CONTAINED IN THIS DRAWING IS THE SOLE PROPERTY OF HARDWARE RESOURCES INC. ANY REPRODUCTION IN PART OR AS A WHOLE WITHOUT THE WRITTEN PERMISSION OF HARDWARE RESOURCES INC. IS PROHIBITED.</p> <p>DO NOT SCALE DRAWING</p>	ITEM#:	PIPE-OUTER		MATERIAL:	STEEL
	FINISH:			WEIGHT:	232.20 g
	PROJECTION:				
	<p>UNITS: MM</p> <p>SIZE: A4</p> <p>SHEET:</p>	<p>DATE:</p> <p>APPROVED BY:</p> <p>RELEASE LEVEL:</p>	<p>DATE:</p> <p>REVISION:</p>	<p>DATE:</p> <p>REVISION:</p>	



DETAIL A  
SCALE 1:4

Spec Sheet:

ITEM NO.	A (MM)	B (MM)	C (MM)
LSK24	608	374	532.5
LSK28	705	464.5	636
LSK32	806.5	557.2	740.5



SECTION A-A

<b>hardware</b> <b>resources</b>	ITEM NO.	LSK		MATERIAL	PLY WOOD
	FINISH:			WEIGHT:	9
PROPRIETARY AND CONFIDENTIAL	TOLERANCE UNLESS OTHERWISE SPECIFIED:	UNITS:	MM	DRAWN BY:	<i>Shawn Lee</i>
THE INFORMATION CONTAINED IN THIS DRAWING IS THE SOLE PROPERTY OF HARDWARE RESOURCES INC. ANY REPRODUCTION IN PART OR AS A WHOLE WITHOUT THE WRITTEN PERMISSION OF HARDWARE RESOURCES INC. IS PROHIBITED.	X $\pm 0.20$ X.I $\pm 0.10$ X.II $\pm 0.05$ ANGULAR: $\pm 0.5^\circ$	SIZE:	A4	APPROVED BY:	
	DO NOT SCALE DRAWING	SHEET:		RELEASE LEVEL:	REVISION: