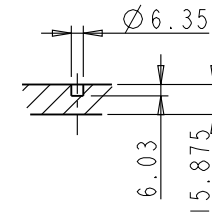
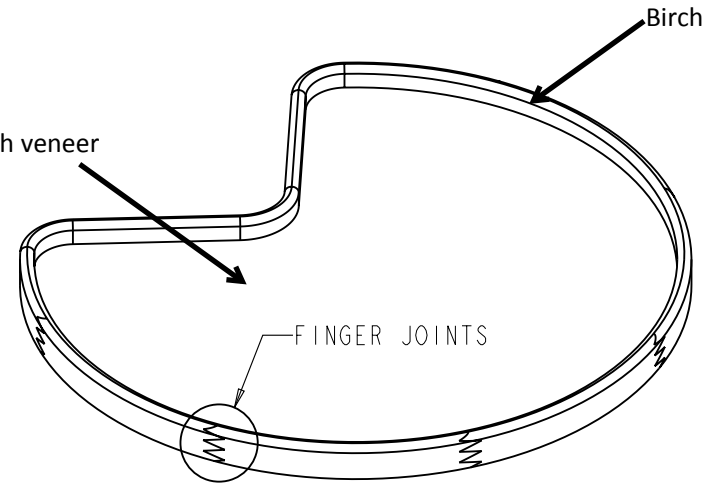
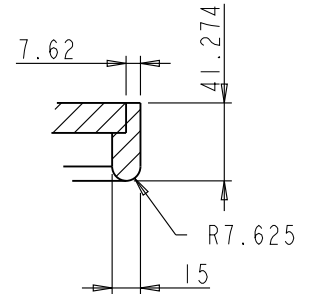


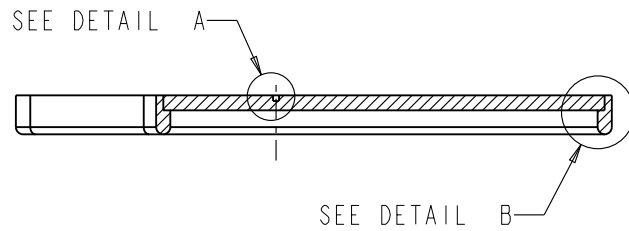
Ply wood with C/D Birch veneer



DETAIL A  
SCALE 1:4



DETAIL B  
SCALE 1:4



SECTION A-A

Spec Sheet:

Item NO.	Size	A (mm)	B (mm)	C (mm)
LSK24	24"	609.6	381	393.7
LSK28	28"	711.2	482.6	406.4
LSK32	32"	812.8	593.8	419.1

<b>hardware resources</b>	ITEM: LSK2*		MATERIAL: PLY Wood		
	FINISH:		WEIGHT: 9		
<b>PROPRIETARY AND CONFIDENTIAL</b> THE INFORMATION CONTAINED IN THIS DRAWING IS THE SOLE PROPERTY OF HARDWARE RESOURCES INC. ANY REPRODUCTION IN PART OR AS A WHOLE WITHOUT THE WRITTEN PERMISSION OF HARDWARE RESOURCES INC. IS PROHIBITED.	TOLERANCE UNLESS OTHERWISE SPECIFIED: X: MM ±0.20 XX: MM ±0.10 XXX: MM ±0.05 ANGULAR: ±0.5° DO NOT SCALE DRAWING		UNIT: MM	DRAWN BY: <i>alan.liu</i>	DATE:
	SIZE:		CHECKED BY:	DATE:	
	APPROVED BY:		DATE:		
	PROJECTION:				