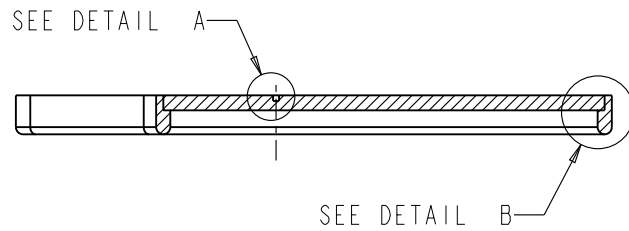
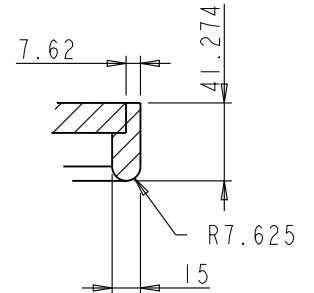
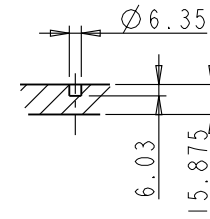
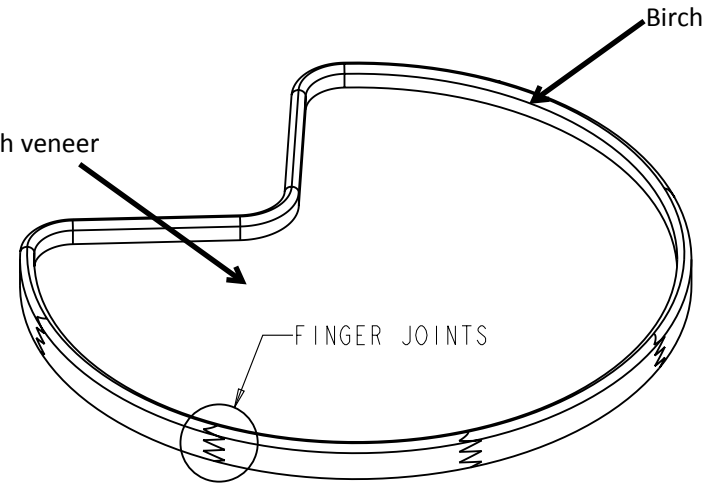


Ply wood with C/D Birch veneer



Spec Sheet:

Item NO.	Size	A (mm)	B (mm)	C (mm)
LSK24	24"	609.6	381	393.7
LSK28	28"	711.2	482.6	406.4
LSK32	32"	812.8	593.8	419.1

<b>hardware resources</b>	ITEM: LSK2*		MATERIAL: PLY Wood			
	FINISH:		WEIGHT: 9			
<b>PROPRIETARY AND CONFIDENTIAL</b> THE INFORMATION CONTAINED IN THIS DRAWING IS THE SOLE PROPERTY OF HARDWARE RESOURCES INC. ANY REPRODUCTION IN PART OR AS A WHOLE WITHOUT THE WRITTEN PERMISSION OF HARDWARE RESOURCES INC. IS PROHIBITED.	TOLERANCE UNLESS OTHERWISE SPECIFIED: X: MM $\pm 0.20$ XX: MM $\pm 0.10$ XXX: MM $\pm 0.05$ ANGULAR: $\pm 0.5^\circ$ DO NOT SCALE DRAWING		UNIT: MM	DRAWN BY: <i>alan.liu</i>	DATE:	
	SIZE:		CHECKED BY:	DATE:		
	APPROVED BY:		DATE:		DATE:	
	PROJECTION:		DATE:		DATE:	