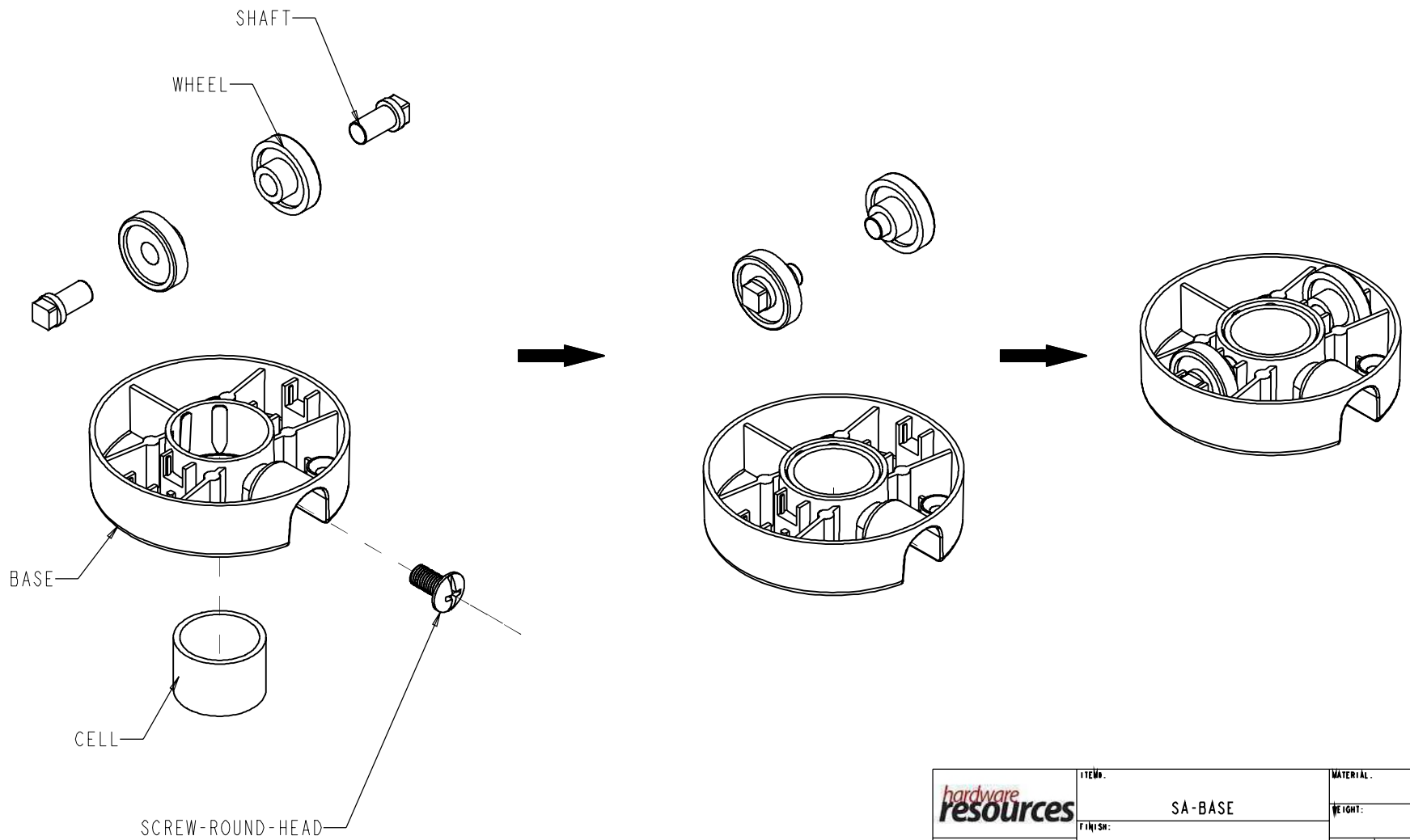


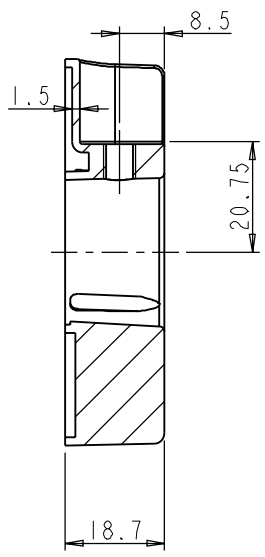
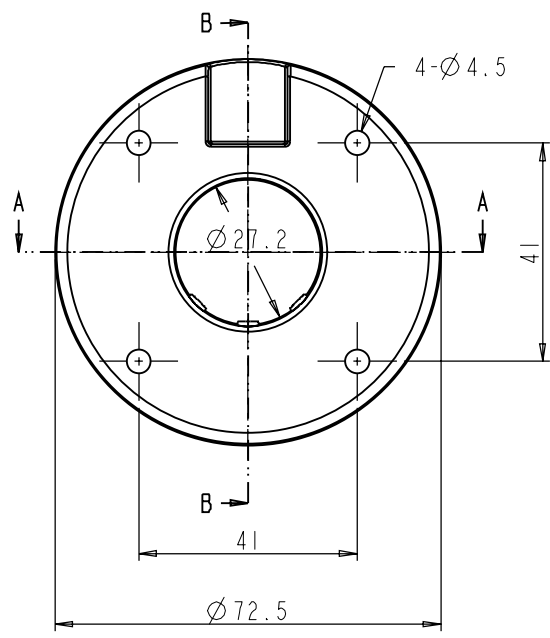
**BILLS OF MATERIAL:**

NO.	ITEM#	MATERIAL	QTY	UNIT WEIGHT	TOTLE WEIGHT	TYPE	ASSY LEVEL
9	SA-INNER-PIPE	ASSEMBLY	1	238.81	238.81	ASSEMBLY	1
8	SA-LOCKER	ASSEMBLY	1	83.83	83.83	ASSEMBLY	1
7	SCREW-FLAT-HEAD-LONG	STEEL	9	1.33	11.93	PART	1
6	SA-COVER	ASSEMBLY	3	140.58	421.73	ASSEMBLY	1
5	LSR	WOOD	3			PART	1
4	SA-CONNECTOR	ASSEMBLY	3	225.90	677.71	ASSEMBLY	1
3	SCREW-WOODEN	STEEL	4	0.71	2.82	PART	1
2	SA-BASE	ASSEMBLY	3	159.39	478.16	ASSEMBLY	1
1	PIPE-OUTER	STEEL	1	348.53	348.53	PART	1

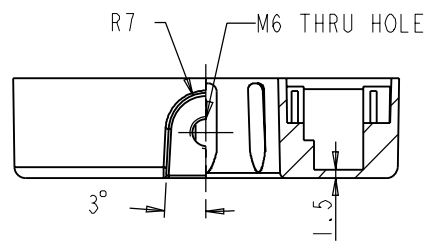
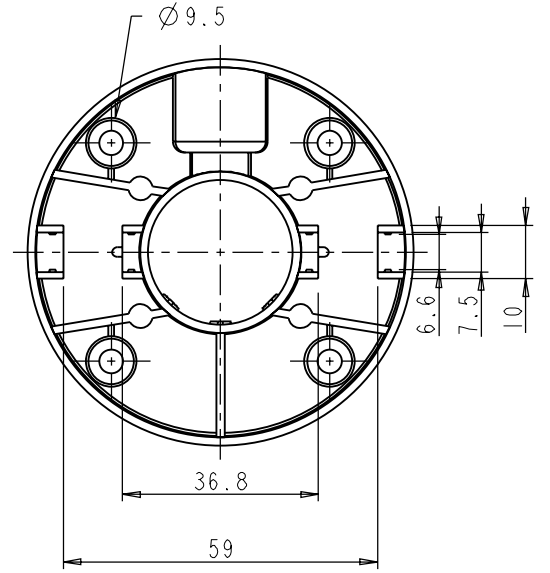
	ITEM# LSR318-SET		MATERIAL	
	FINISH:		WEIGHT:	
PROPRIETARY AND CONFIDENTIAL THE INFORMATION CONTAINED IN THIS DRAWING IS THE SOLE PROPERTY OF HARDWARE RESOURCES INC. ANY REPRODUCTION IN PART OR AS A WHOLE WITHOUT THE WRITTEN PERMISSION OF HARDWARE RESOURCES INC. IS PROHIBITED.		UNITS:		PROJECTION 
TOLERANCE UNLESS OTHERWISE SPECIFIED: X ±0.20 X.I ±0.10 X.II ±0.05 ANGULAR: ±0.5° DO NOT SCALE DRAWING		DRAWN BY: 	DATE:	9
SIZE: A4		APPROVED BY:	DATE:	REVISION:
SHEET:		RELEASE LEVEL:	REVISION:	



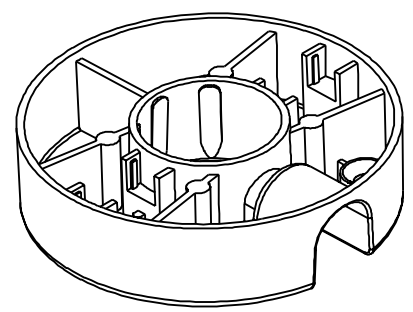
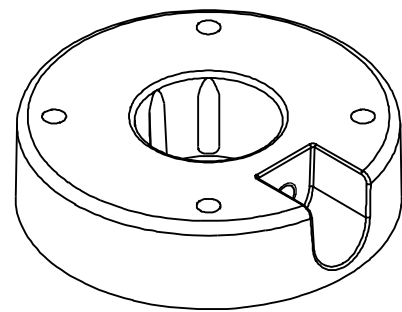
	ITEM#:	SA-BASE		MATERIAL:
	FINISH:			WEIGHT:
	PROPRIETARY AND CONFIDENTIAL			PROJECTION
	THE INFORMATION CONTAINED IN THIS DRAWING IS THE SOLE PROPERTY OF HARDWARE RESOURCES INC. ANY REPRODUCTION IN PART OR AS A WHOLE WITHOUT THE WRITTEN PERMISSION OF HARDWARE RESOURCES INC. IS PROHIBITED.	TOLERANCE UNLESS OTHERWISE SPECIFIED: X ±0.20 X.I ±0.10 X.II ±0.05 ANGULAR: ±0.5° DO NOT SCALE DRAWING	UNITS: A4	DRAWN BY: <i>Shanika</i>
APPROVED BY:	DATE:	RELEASE LEVEL:	REVISION:	



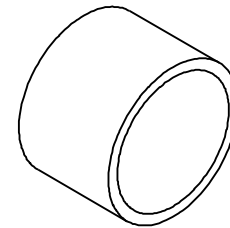
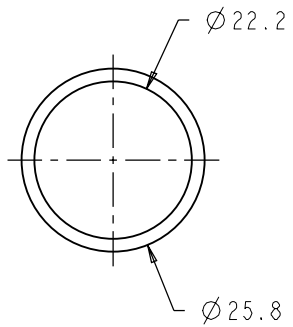
SECTION B-B


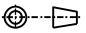



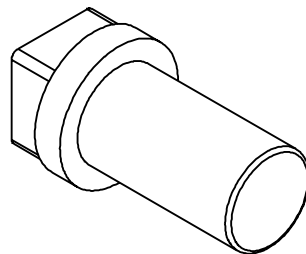
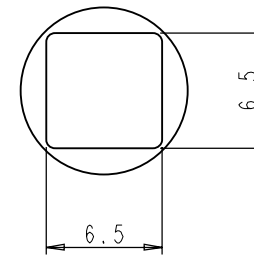
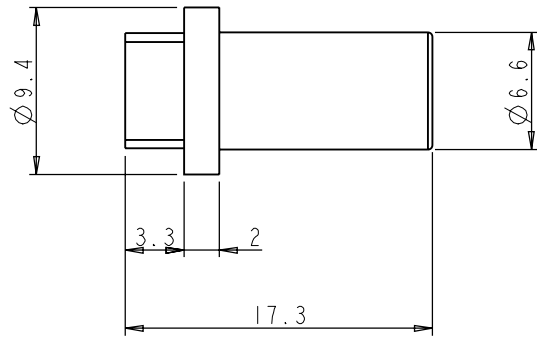
SECTION A-A



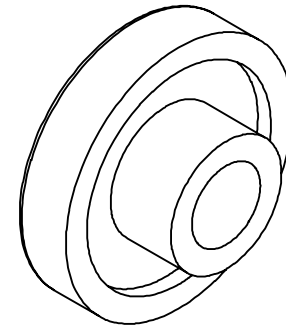
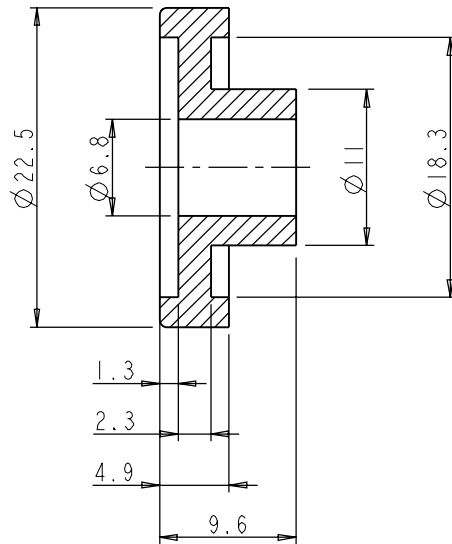
	ITEM#:	BASE	MATERIAL:	ZINC
	FINISH:		WEIGHT:	133.30 g
PROPRIETARY AND CONFIDENTIAL THE INFORMATION CONTAINED IN THIS DRAWING IS THE SOLE PROPERTY OF HARDWARE RESOURCES INC. ANY REPRODUCTION IN PART OR AS A WHOLE WITHOUT THE WRITTEN PERMISSION OF HARDWARE RESOURCES INC. IS PROHIBITED.	TOLERANCE UNLESS OTHERWISE SPECIFIED: X ±0.20 X.I ±0.10 X.II ±0.05 ANGULAR: ±0.5° DO NOT SCALE DRAWING	UNITS: MM SIZE: A4 SHEET:	DRAWN BY: <i>Shawn Lee</i> APPROVED BY: RELEASE LEVEL:	DATE: DATE: REVISION:



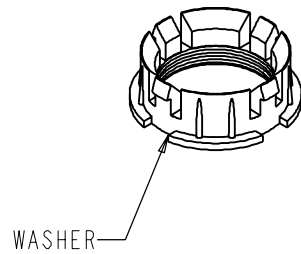
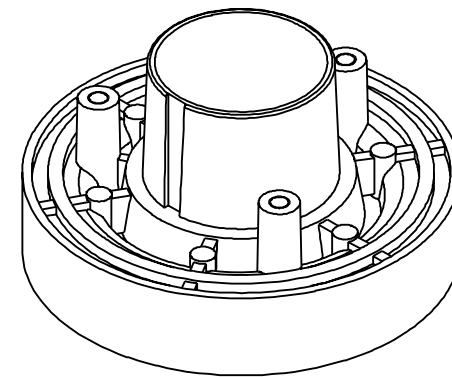
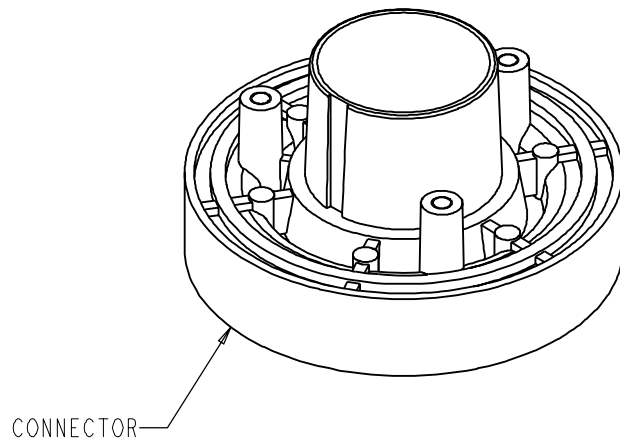
 <b>PROPRIETARY AND CONFIDENTIAL</b> THE INFORMATION CONTAINED IN THIS DRAWING IS THE SOLE PROPERTY OF HARDWARE RESOURCES INC. ANY REPRODUCTION IN PART OR AS A WHOLE WITHOUT THE WRITTEN PERMISSION OF HARDWARE RESOURCES INC. IS PROHIBITED.	ITEM:	CELL		MATERIAL:	PA
	FINISH:			WEIGHT:	2.80 g
	PROJECTION:				
	TOLERANCE UNLESS OTHERWISE SPECIFIED: X $\pm 0.20$ X.I $\pm 0.10$ X.II $\pm 0.05$ ANGULAR: $\pm 0.5^\circ$ DO NOT SCALE DRAWING	UNITS:	MM	DRAWN BY:	
	SIZE:	A4	APPROVED BY:	DATE:	
	SHEET:		RELEASE LEVEL:	REVISION:	



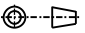


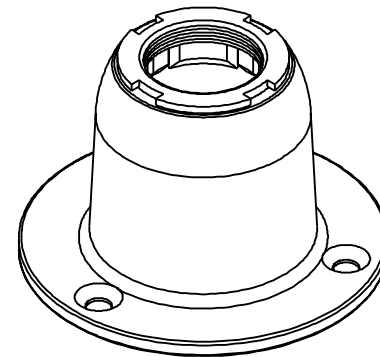
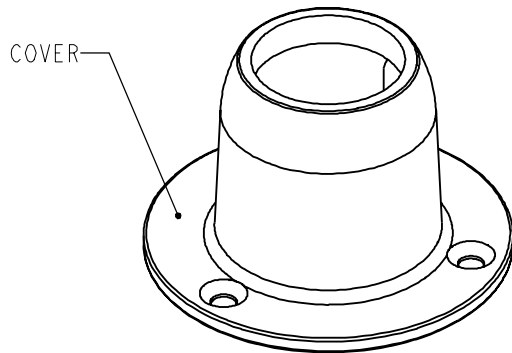
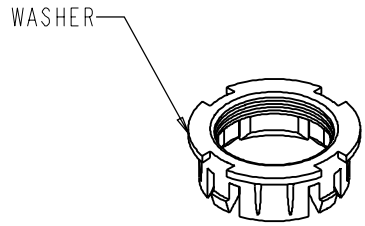
<p><b>hardware resources</b></p> <p>PROPRIETARY AND CONFIDENTIAL</p> <p>THE INFORMATION CONTAINED IN THIS DRAWING IS THE SOLE PROPERTY OF HARDWARE RESOURCES INC. ANY REPRODUCTION IN PART OR AS A WHOLE WITHOUT THE WRITTEN PERMISSION OF HARDWARE RESOURCES INC. IS PROHIBITED.</p> <p>DO NOT SCALE DRAWING</p>	ITEM:	SHAFT		MATERIAL:	ABS
	FINISH:			WEIGHT:	0.50 g
	PROJECTION:				
	TOLERANCE UNLESS OTHERWISE SPECIFIED: X $\pm 0.20$ X.I $\pm 0.10$ X.II $\pm 0.05$ ANGULAR: $\pm 0.5^\circ$	UNITS:	MM	DRAWN BY:	<i>Shawn Liu</i>
	SIZE:	A4	APPROVED BY:		
	SHEET:		RELEASE LEVEL:	REVISION:	


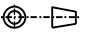


	ITEM: WHEEL		MATERIAL: ABS	
	FINISH:		WEIGHT: 1.30 g	
	PROPRIETARY AND CONFIDENTIAL		PROJECTION	
	THE INFORMATION CONTAINED IN THIS DRAWING IS THE SOLE PROPERTY OF HARDWARE RESOURCES INC. ANY REPRODUCTION IN PART OR AS A WHOLE WITHOUT THE WRITTEN PERMISSION OF HARDWARE RESOURCES INC. IS PROHIBITED.		TOLERANCE UNLESS OTHERWISE SPECIFIED: X ±0.20 X.I ±0.10 X.II ±0.05 ANGULAR: ±0.5° DO NOT SCALE DRAWING	
UNITS: MM		DRAWN BY: <i>Shawn Liu</i>		DATE:
SIZE: A4		APPROVED BY:		DATE:
SHEET:		RELEASE LEVEL:		REVISION:

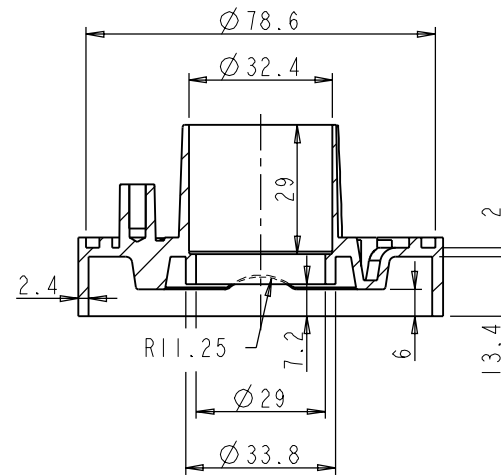
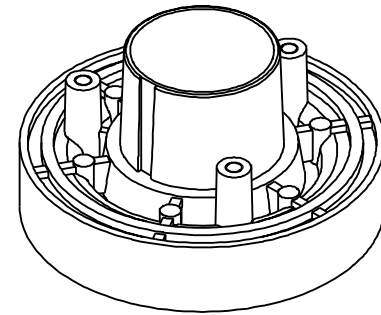
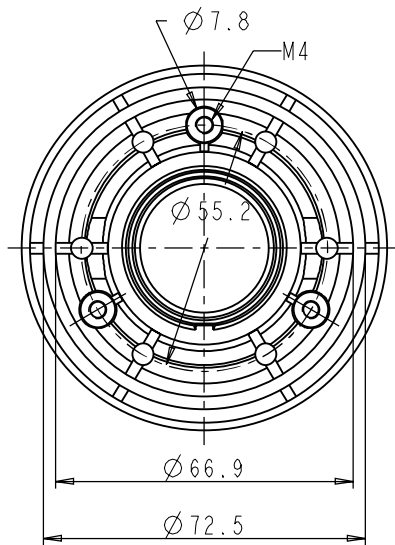
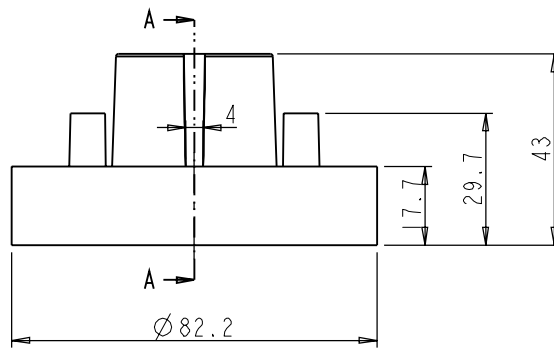
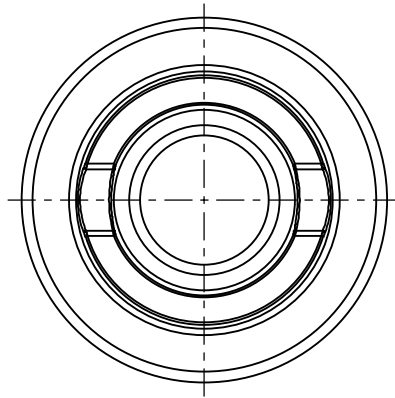


 <b>PROPRIETARY AND CONFIDENTIAL</b> THE INFORMATION CONTAINED IN THIS DRAWING IS THE SOLE PROPERTY OF HARDWARE RESOURCES INC. ANY REPRODUCTION IN PART OR AS A WHOLE WITHOUT THE WRITTEN PERMISSION OF HARDWARE RESOURCES INC. IS PROHIBITED.	ITEM#:	SA-CONNECTOR		MATERIAL:
	FINISH:			WEIGHT:
	TOLERANCE UNLESS OTHERWISE SPECIFIED: X ±0.20 X.I ±0.10 X.II ±0.05 ANGULAR: ±0.5° DO NOT SCALE DRAWING	UNITS:	DRAWN BY: 	DATE:
	SIZE: A4	APPROVED BY:	DATE:	
	SHEET:	RELEASE LEVEL:	REVISION:	
		PROJECTION 	9	



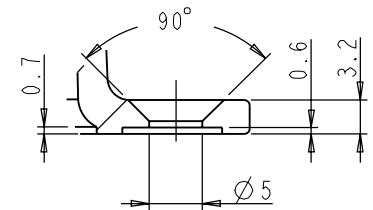
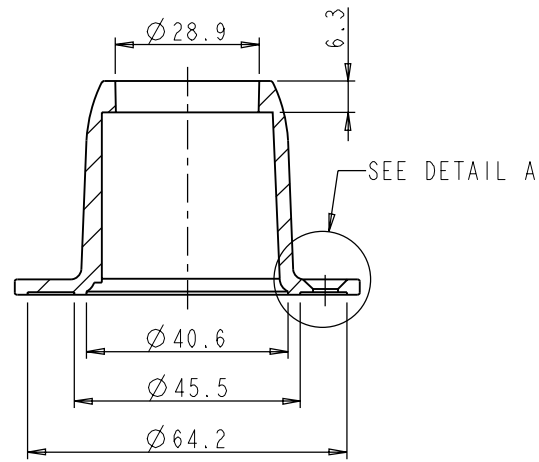
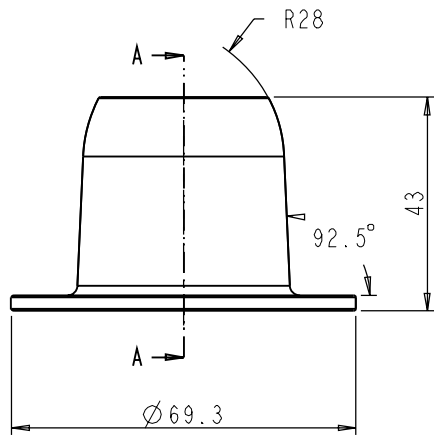
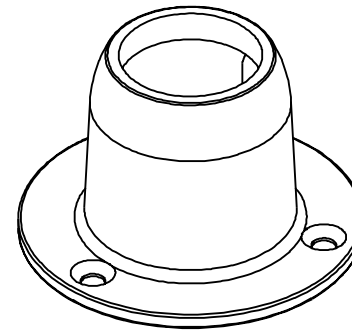
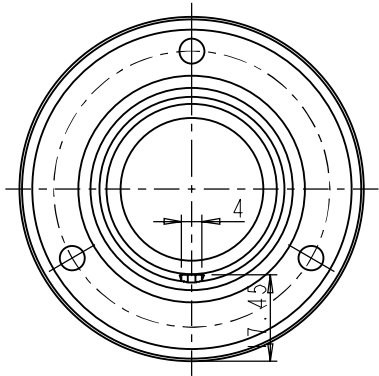
 <b>PROPRIETARY AND CONFIDENTIAL</b> THE INFORMATION CONTAINED IN THIS DRAWING IS THE SOLE PROPERTY OF HARDWARE RESOURCES INC. ANY REPRODUCTION IN PART OR AS A WHOLE WITHOUT THE WRITTEN PERMISSION OF HARDWARE RESOURCES INC. IS PROHIBITED.	ITEM#:	SA-COVER		MATERIAL:
	FINISH:			WEIGHT:
	TOLERANCE UNLESS OTHERWISE SPECIFIED: X ±0.20 X.I ±0.10 X.II ±0.05 ANGULAR: ±0.5° DO NOT SCALE DRAWING	UNITS:	DATE:	9
	SIZE: A4 SHEET:	DRAWN BY: <i>Shanika</i> APPROVED BY:	PROJECTION:  DATE:	REVISION:
	RELEASE LEVEL:			



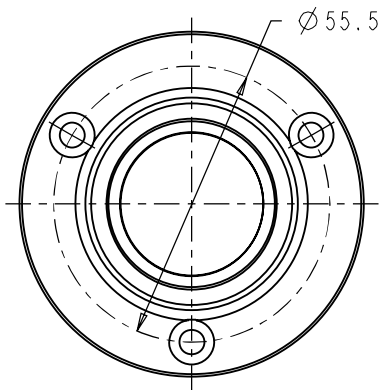


SECTION A-A

	ITEM#:	CONNECTOR		MATERIAL:	ZINC
	FINISH:			WEIGHT:	236.00 g
<b>PROPRIETARY AND CONFIDENTIAL</b> THE INFORMATION CONTAINED IN THIS DRAWING IS THE SOLE PROPERTY OF HARDWARE RESOURCES INC. ANY REPRODUCTION IN PART OR AS A WHOLE WITHOUT THE WRITTEN PERMISSION OF HARDWARE RESOURCES INC. IS PROHIBITED.	TOLERANCE UNLESS OTHERWISE SPECIFIED: X ±0.20 X.I ±0.10 X.II ±0.05 ANGULAR: ±0.5° DO NOT SCALE DRAWING	UNITS: MM SIZE: A4 SHEET:	DRAWN BY: <i>Shawn Liu</i> APPROVED BY:  RELEASE LEVEL:	PROJECTION 	DATE:  DATE:  REVISION:

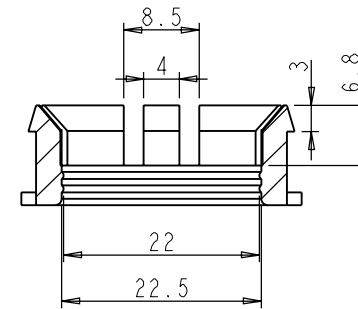
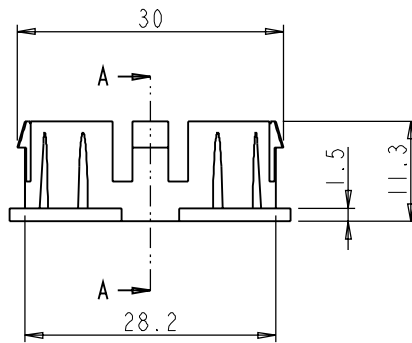
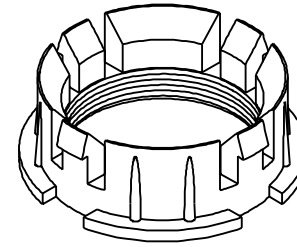
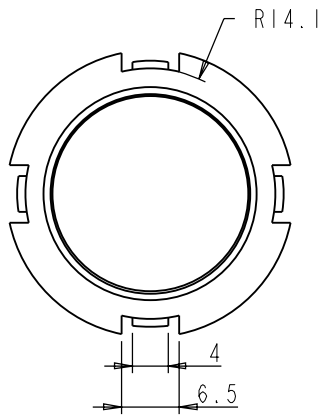


DETAIL A  
SCALE 3:2

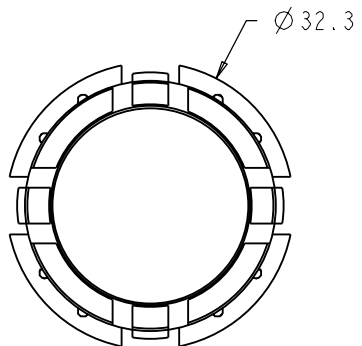


SECTION A-A

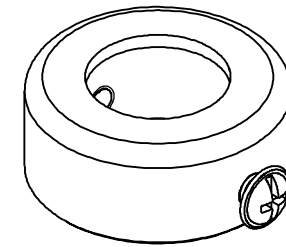
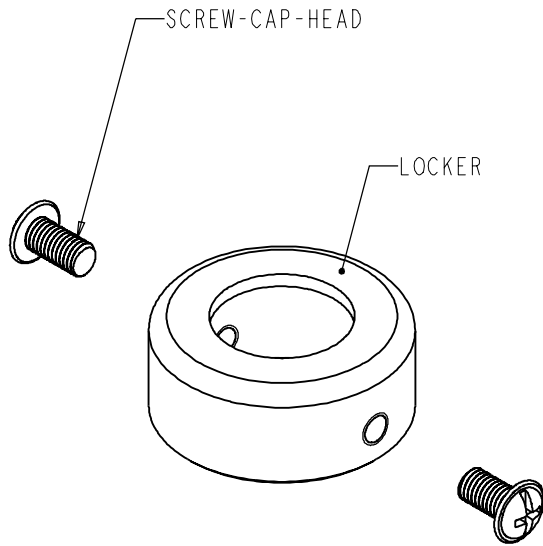
<p><b>hardware resources</b></p> <p>PROPRIETARY AND CONFIDENTIAL</p> <p>THE INFORMATION CONTAINED IN THIS DRAWING IS THE SOLE PROPERTY OF HARDWARE RESOURCES INC. ANY REPRODUCTION IN PART OR AS A WHOLE WITHOUT THE WRITTEN PERMISSION OF HARDWARE RESOURCES INC. IS PROHIBITED.</p> <p>DO NOT SCALE DRAWING</p>	ITEM#:	COVER	MATERIAL:	ZINC
	FINISH:		WEIGHT:	136.50 g
	TOLERANCE UNLESS OTHERWISE SPECIFIED:	UNITS: MM	PROJECTION:	
	X ±0.20 X.I ±0.10 X.II ±0.05 ANGULAR: ±0.5°	DRAWN BY: <i>Shawn Liu</i>	DATE:	
APPROVED BY:	DATE:	RELEASE LEVEL:	REVISION:	


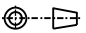



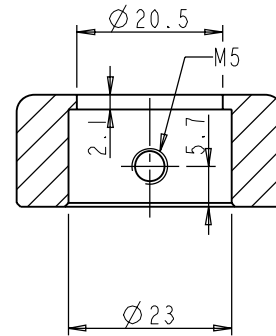
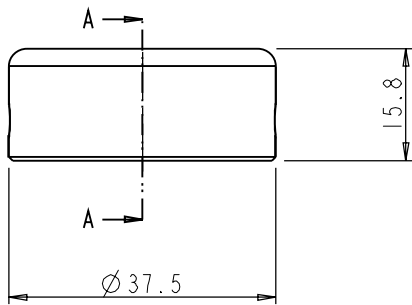
SECTION A-A



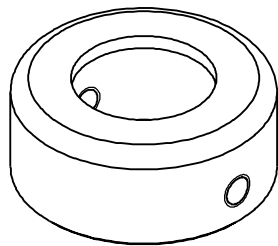
	ITEM: WASHER		MATERIAL: PA	
	FINISH:		WEIGHT: 2.90 g	
	PROPRIETARY AND CONFIDENTIAL		PROJECTION	
	THE INFORMATION CONTAINED IN THIS DRAWING IS THE SOLE PROPERTY OF HARDWARE RESOURCES INC. ANY REPRODUCTION IN PART OR AS A WHOLE WITHOUT THE WRITTEN PERMISSION OF HARDWARE RESOURCES INC. IS PROHIBITED.		TOLERANCE UNLESS OTHERWISE SPECIFIED: X ±0.20 X.I ±0.10 X.II ±0.05 ANGULAR: ±0.5° DO NOT SCALE DRAWING	
UNITS: MM	DATE:	DRAWN BY: <i>Shawn Liu</i>	DATE:	
SIZE: A4	DATE:	APPROVED BY:	DATE:	
SHEET:	RELEASE LEVEL:	REVISION:		


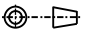



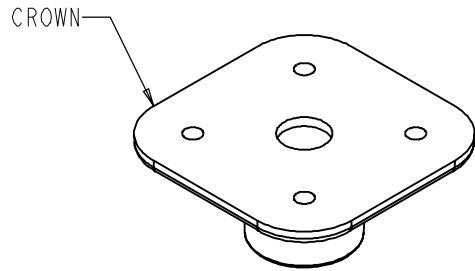
 <b>PROPRIETARY AND CONFIDENTIAL</b> THE INFORMATION CONTAINED IN THIS DRAWING IS THE SOLE PROPERTY OF HARDWARE RESOURCES INC. ANY REPRODUCTION IN PART OR AS A WHOLE WITHOUT THE WRITTEN PERMISSION OF HARDWARE RESOURCES INC. IS PROHIBITED.	ITEM#:	SA-LOCKER		MATERIAL:
	FINISH:			WEIGHT:
	PROJECTION			9
	TOLERANCE UNLESS OTHERWISE SPECIFIED: X ±0.20 X.I ±0.10 X.II ±0.05 ANGULAR: ±0.5° DO NOT SCALE DRAWING	UNITS:	DRAWN BY: 	DATE:
	SIZE: A4	APPROVED BY:	DATE:	
	SHEET:	RELEASE LEVEL:	REVISION:	



SECTION A-A



 <b>PROPRIETARY AND CONFIDENTIAL</b> THE INFORMATION CONTAINED IN THIS DRAWING IS THE SOLE PROPERTY OF HARDWARE RESOURCES INC. ANY REPRODUCTION IN PART OR AS A WHOLE WITHOUT THE WRITTEN PERMISSION OF HARDWARE RESOURCES INC. IS PROHIBITED.	ITEM:	LOCKER		MATERIAL:	STEEL
	FINISH:			WEIGHT:	83.00 g
	PROJECTION:				
	TOLERANCE UNLESS OTHERWISE SPECIFIED: X ±0.20 X.I ±0.10 X.II ±0.05 ANGULAR: ±0.5° DO NOT SCALE DRAWING	UNITS:	MM	DRAWN BY:	
	SIZE:	A4	APPROVED BY:	DATE:	
	SHEET:		RELEASE LEVEL:	REVISION:	

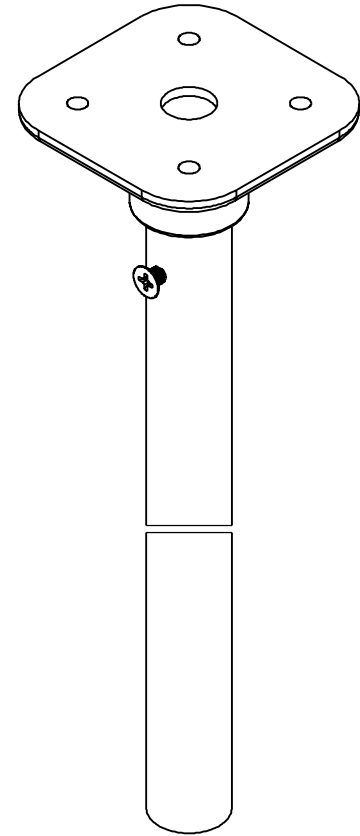


CROWN

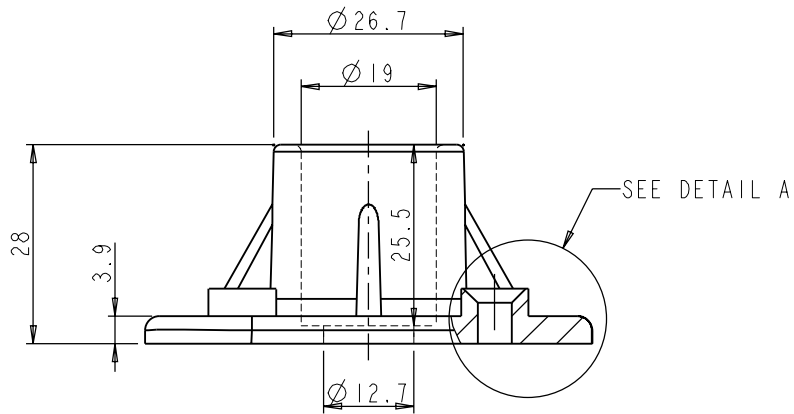
SCREW-FALT-HEAD-SHORT



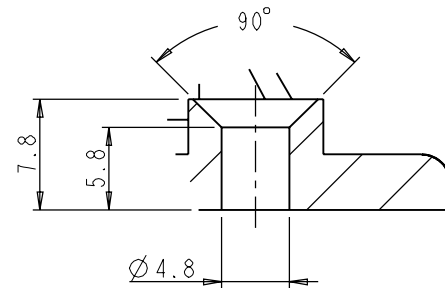
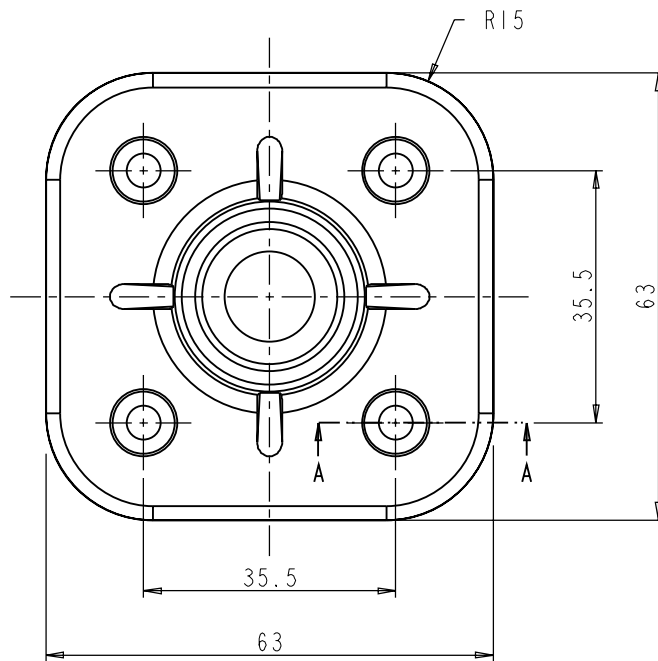
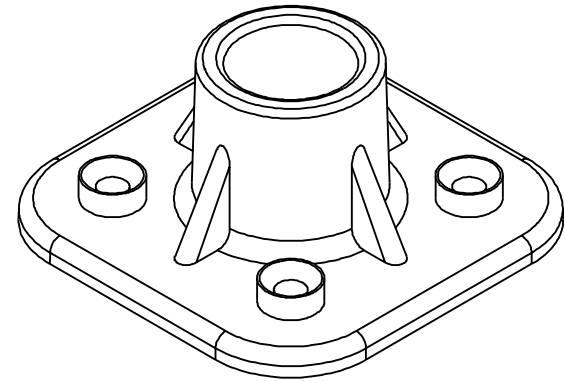
PIPE-INNOR



<p><b>hardware resources</b></p> <p>PROPRIETARY AND CONFIDENTIAL</p> <p>THE INFORMATION CONTAINED IN THIS DRAWING IS THE SOLE PROPERTY OF HARDWARE RESOURCES INC. ANY REPRODUCTION IN PART OR AS A WHOLE WITHOUT THE WRITTEN PERMISSION OF HARDWARE RESOURCES INC. IS PROHIBITED.</p>	ITEM#:	SA-INNER-PIPE		MATERIAL:
	FINISH:			WEIGHT:
	TOLERANCE UNLESS OTHERWISE SPECIFIED:	UNITS:	DRW BY:	DATE:
	X ±0.20 X.I ±0.10 X.II ±0.05 ANGULAR ±0.5° DO NOT SCALE DRAWING	A4 SHEET:	<i>Shankar</i> APPROVED BY:	DATE:
	RELEASE LEVEL:	PROJECTION	REVISION:	

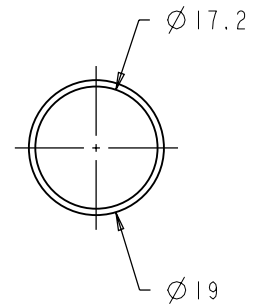
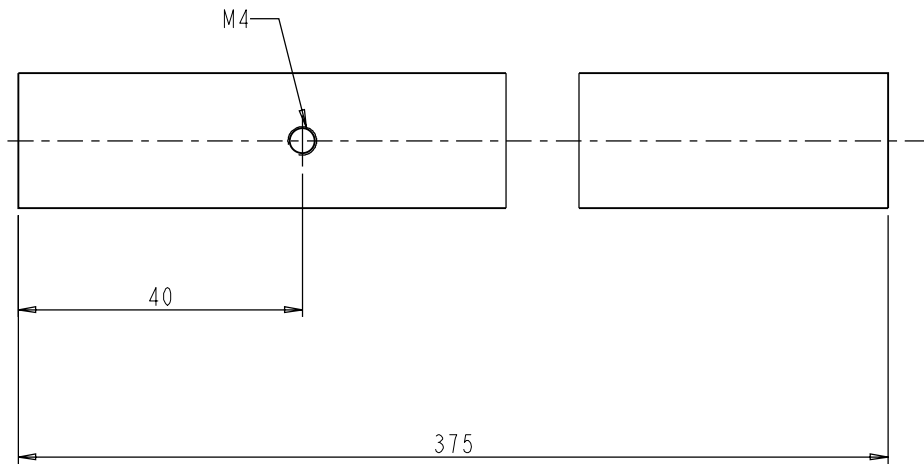


SECTION A-A



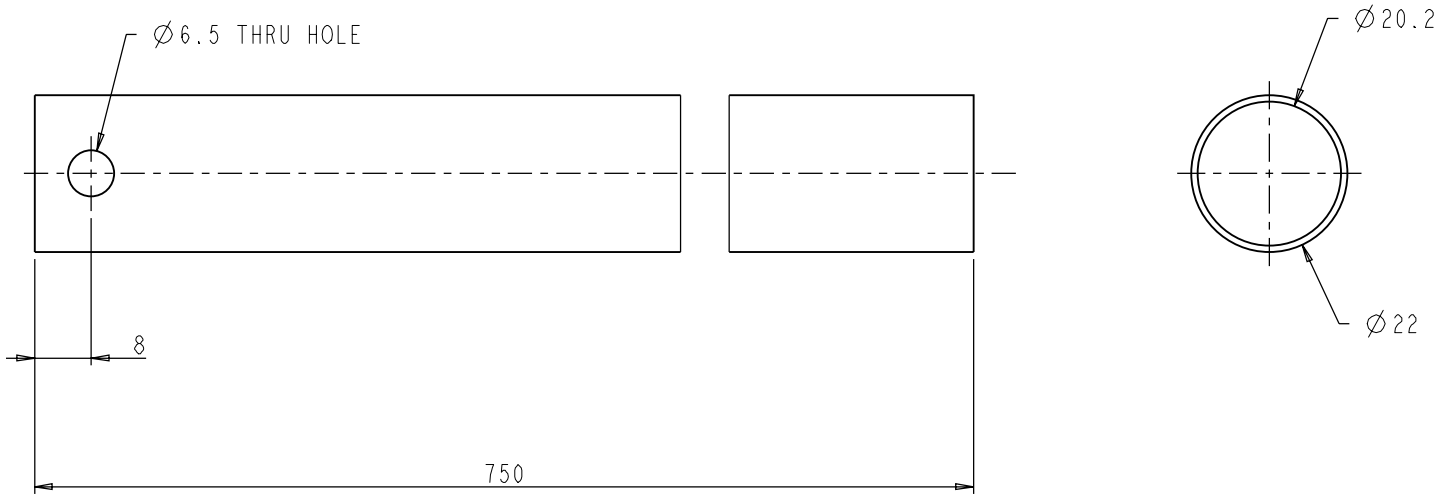
DETAIL A  
SCALE 2:1


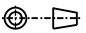
	ITEM#: CROWN		MATERIAL: ABS		
	FINISH:		WEIGHT: 23.30 g		
<b>PROPRIETARY AND CONFIDENTIAL</b> THE INFORMATION CONTAINED IN THIS DRAWING IS THE SOLE PROPERTY OF HARDWARE RESOURCES INC. ANY REPRODUCTION IN PART OR AS A WHOLE WITHOUT THE WRITTEN PERMISSION OF HARDWARE RESOURCES INC. IS PROHIBITED.	TOLERANCE UNLESS OTHERWISE SPECIFIED: X ±0.20 X.I ±0.10 X.II ±0.05 ANGULAR: ±0.5° DO NOT SCALE DRAWING		UNITS: MM SIZE: A4 SHEET:	DRAWN BY: <i>Shawn Liu</i> APPROVED BY: RELEASE LEVEL: REVISION:	DATE: DATE: DATE:
	PROJECTION:		DATE:		
	DATE:		DATE:		DATE:
	DATE:		DATE:		DATE:

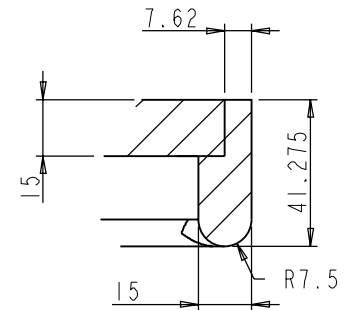
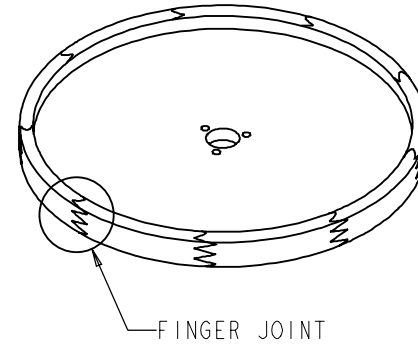
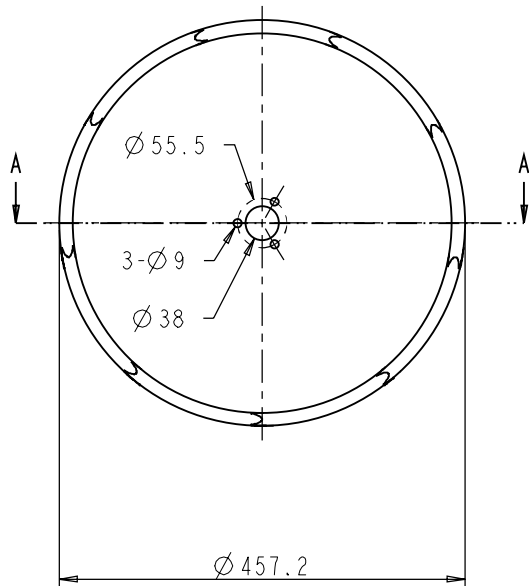


	ITEM: PIPE - INNOR		MATERIAL: STEEL		
	FINISH:		WEIGHT: 149.62 g		
<p><b>PROPRIETARY AND CONFIDENTIAL</b></p> <p>THE INFORMATION CONTAINED IN THIS DRAWING IS THE SOLE PROPERTY OF HARDWARE RESOURCES INC. ANY REPRODUCTION IN PART OR AS A WHOLE WITHOUT THE WRITTEN PERMISSION OF HARDWARE RESOURCES INC. IS PROHIBITED.</p>	<p>PROJECTION</p>		<p>DATE:</p>		
	<p>TOLENANCE UNLESS OTHERWISE SPECIFIED:</p> <p>X ±0.20</p> <p>X.I ±0.10</p> <p>X.II ±0.05</p> <p>ANGULAR: ±0.5°</p>		<p>UNITS: MM</p>	<p>DRAWN BY: <i>Shawn Liu</i></p>	<p>DATE:</p>
	<p>DO NOT SCALE DRAWING</p>		<p>SIZE: A4</p>	<p>APPROVED BY:</p>	<p>DATE:</p>
			<p>SHEET:</p>	<p>RELEASE LEVEL:</p>	<p>REVISION:</p>

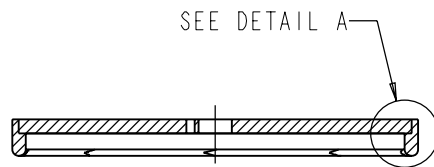




 <b>PROPRIETARY AND CONFIDENTIAL</b> THE INFORMATION CONTAINED IN THIS DRAWING IS THE SOLE PROPERTY OF HARDWARE RESOURCES INC. ANY REPRODUCTION IN PART OR AS A WHOLE WITHOUT THE WRITTEN PERMISSION OF HARDWARE RESOURCES INC. IS PROHIBITED.	ITEM#		MATERIAL	
	PIPE-OUTER		STEEL	
	FINISH:		WEIGHT: 348.53 g	
	TOLERANCE UNLESS OTHERWISE SPECIFIED: X $\pm 0.20$ X.I $\pm 0.10$ X.II $\pm 0.05$ ANGULAR: $\pm 0.5^\circ$		PROJECTION 	
DO NOT SCALE DRAWING	UNITS: MM	DRAWN BY: <i>Shawn Liu</i>	DATE:	
	SIZE: A4	APPROVED BY:	DATE:	
	SHEET:	RELEASE LEVEL:	REVISION:	



DETAIL A  
SCALE 1:2



SECTION A-A

	ITEM#:	LSR		MATERIAL:	PLY WOOD
	FINISH:			WEIGHT:	9
	PROJECTION AND CONFIDENTIAL			PROJECTION	
	THE INFORMATION CONTAINED IN THIS DRAWING IS THE SOLE PROPERTY OF HARDWARE RESOURCES INC. ANY REPRODUCTION IN PART OR AS A WHOLE WITHOUT THE WRITTEN PERMISSION OF HARDWARE RESOURCES INC. IS PROHIBITED.	TOLERANCE UNLESS OTHERWISE SPECIFIED: X $\pm 0.20$ X.I $\pm 0.10$ X.II $\pm 0.05$ ANGULAR: $\pm 0.5^\circ$	UNITS: MM	DRAWN BY: <i>Shawn Lee</i>	DATE:
DO NOT SCALE DRAWING	SIZE: A4	SHEET:	APPROVED BY:	DATE:	
		RELEASE LEVEL:		REVISION:	