

\*\*\* CUSTOMER APPROVAL \*\*\*

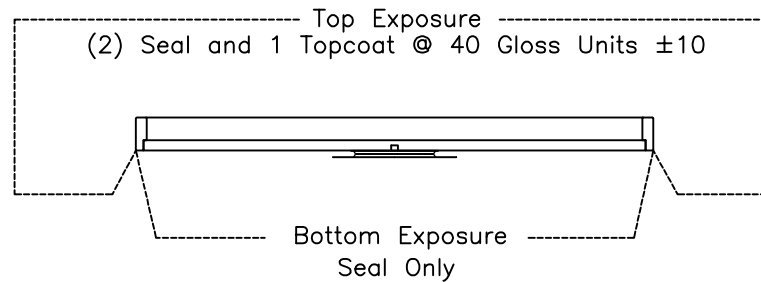
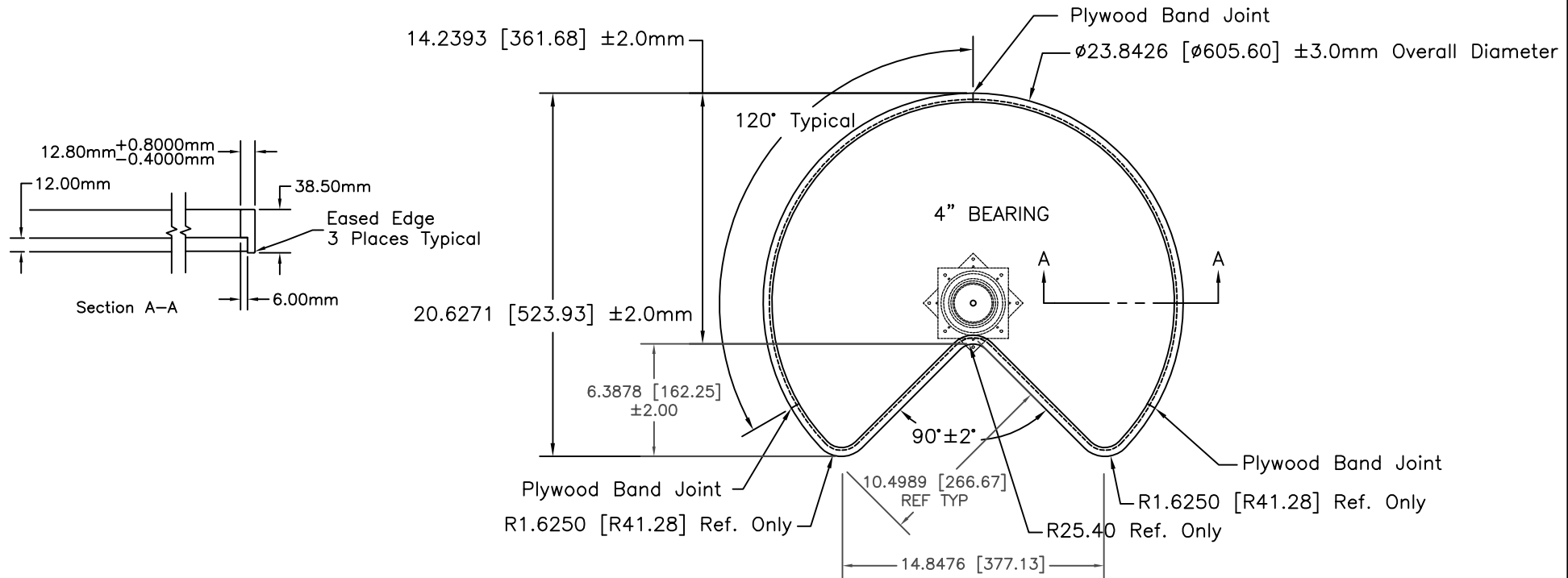
**kitchensource.com**

1.800.667.8721

SIGNED:

DATE:

NOTES:



SCALE: None	MATERIAL: See Notes Above	TOL: $\pm 1.00\text{mm}$ (Unless Noted)
<small>THIS MATERIAL IS THE CONFIDENTIAL PROPERTY OF OMEGA NATIONAL PRODUCTS, LLC AND CONTAINS VALUABLE INFORMATION AND DATA THAT MAY NOT BE DUPLICATED, DISCLOSED OR GIVEN IN ANY FORM TO ANYONE WITHOUT PRIOR WRITTEN AUTHORIZATION FROM AN OFFICER OF THE COMPANY. THE INFORMATION AND DATA CONTAINED IN THIS MATERIAL COMPRISE TRADE SECRETS AND ARE PROTECTED UNDER FEDERAL AND STATE LAWS THAT PROVIDE FOR CIVIL AND CRIMINAL PENALTIES. IF YOU HAVE RECEIVED THIS MATERIAL UNINTENTIONALLY, PLEASE TREAT IT AS CONFIDENTIAL AND NOTIFY OMEGA NATIONAL PRODUCTS, LLC IMMEDIATELY BY CALLING 574-295-5353.</small>	DRAWN: MLG	DATE: 02/13/2013
	APPRVD:	NOTES: Customer Specifications
	DESC: 24" Plywood Kidney Shaped Turntable	PART#: T8424-----
	DWG: T8224	REV: C PAGE: 01