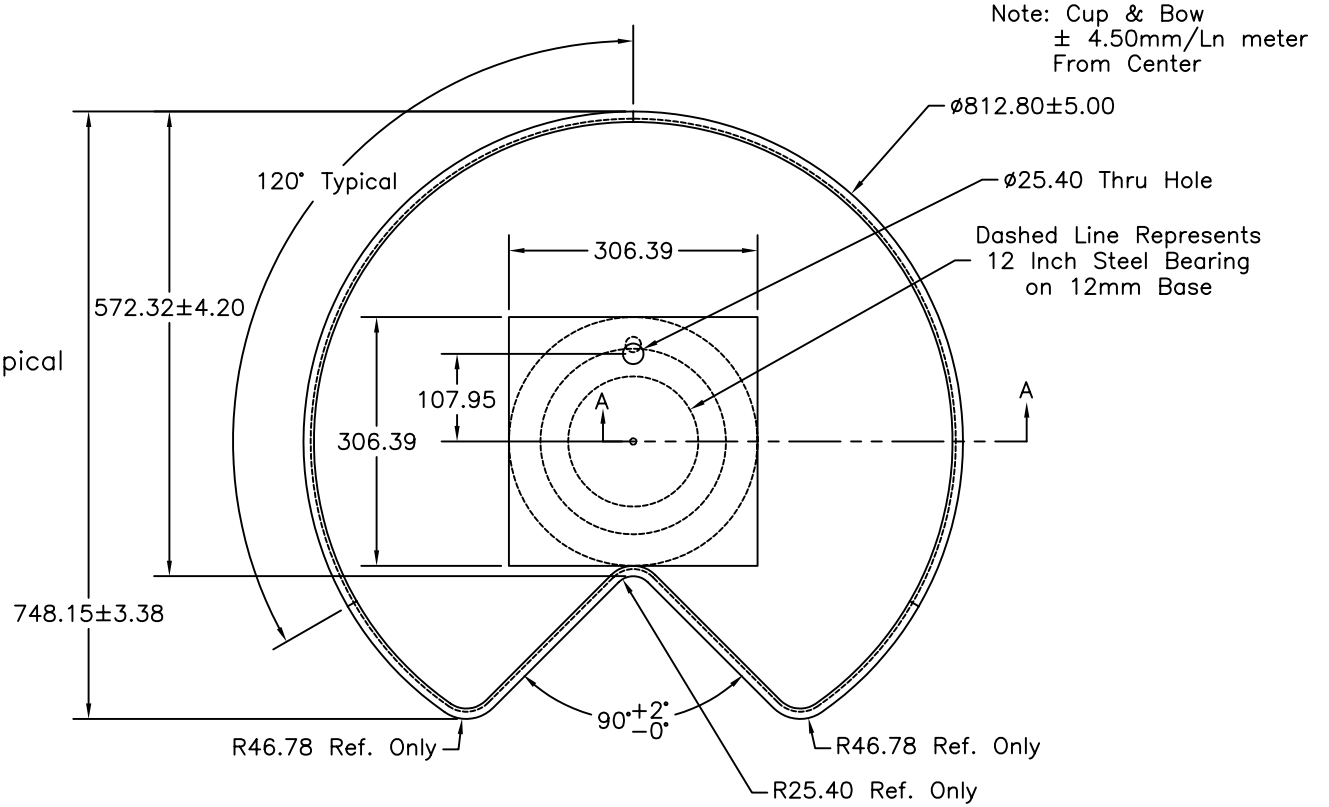


Section A-A



Material

Base: Plywood with "B Grade" Maple Veneer Face (0.06mm) and Veneer Back with no voids and pleasing appearance.

Rim: "B Grade" Maple Veneer Inside and Outside (0.06mm)/Rubber Wood Veneer Core 1mm $\pm .2\text{mm}$ Ply Thickness with no voids or visible knots or mineral.

