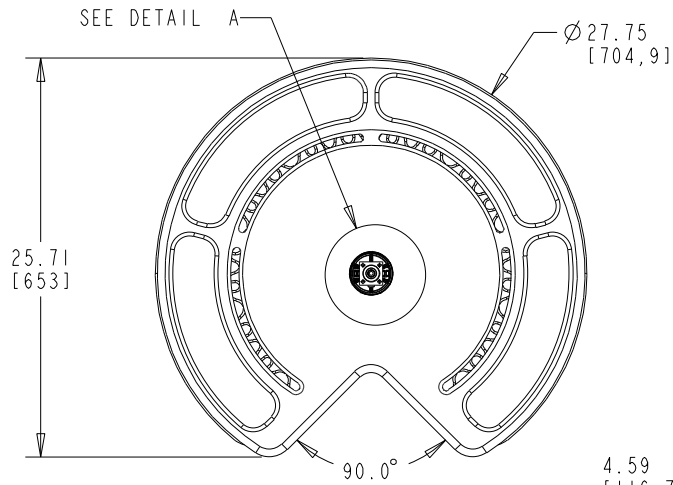
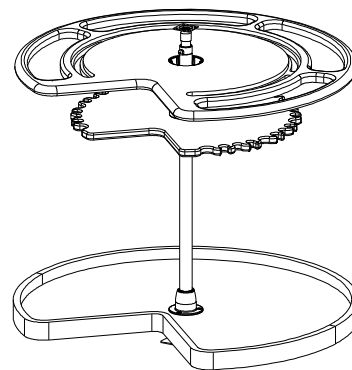
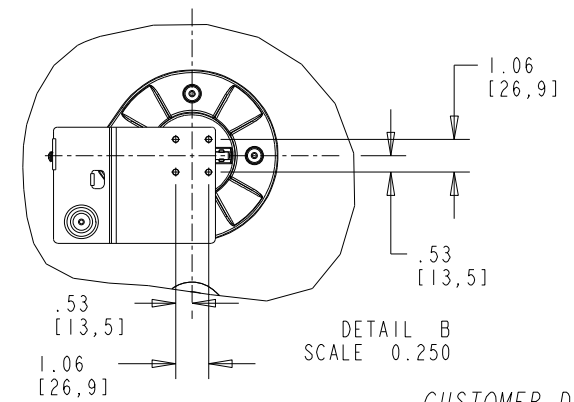
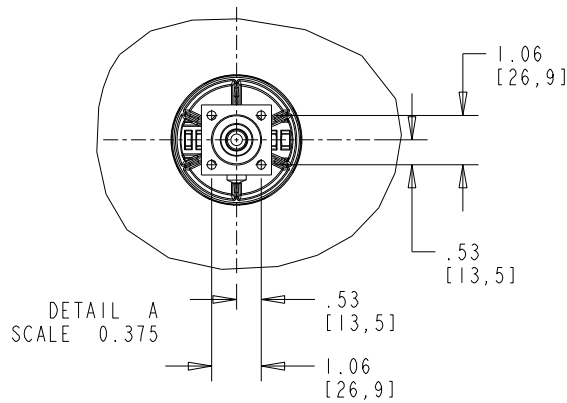
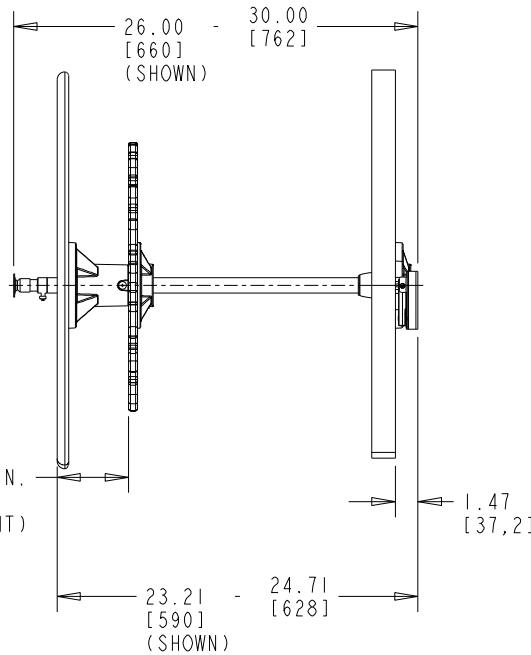
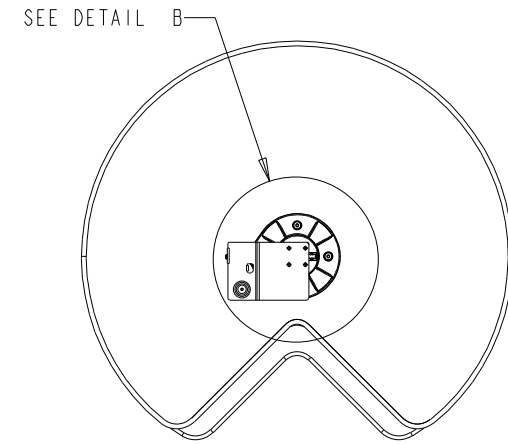


TOP VIEW



BOTTOM VIEW



SCALE 0.100

CUSTOMER DRAWING

This drawing is the property of Rev-A-Shelf (RAS) and is disclosed in confidence to the extent its subject matter is original to RAS. Any vendor receiving this drawing from RAS shall hold and use this drawing for the sole benefit of RAS and shall not disclose it to, or use or reproduce it for any third party, or perform any act adverse to the interest of RAS with respect to this drawing without the express written permission of RAS. Vendors shall not revise any physical, dimensional or performance characteristic unless authorized by Rev-A-Shelf Engineering.

REV.	DATE	BY	DESCRIPTION OF CHANGE

INCH [MM]	AMERICAN PROJECTION	DRAWN	BY	DATE	REV-A-SHELF, INC.
		KRR		3-22-18	
TOLERANCES					SIZE
MATERIAL					B
FINISH					28" KIDNEY NSLS
DRAWING NO.					SCALE
NSLS-KM-28S-7					0.125
PART NO.					SHEET OF
NSLS-KM-28S-7					1 1

MAT. DEC.
WOOD: .XX ±.03 [.8mm]
(OTHER) .XX ±.02 [1.5mm]
(ALL) .XXX ±.005 [1.3 mm]
FRACTIONS ±1/32 [1.8 mm]

ANGLES
±1/2°