

Dawn®

Kitchen & Bath Products, Inc.

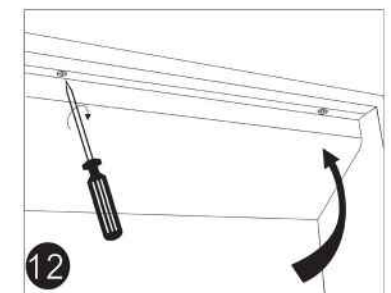
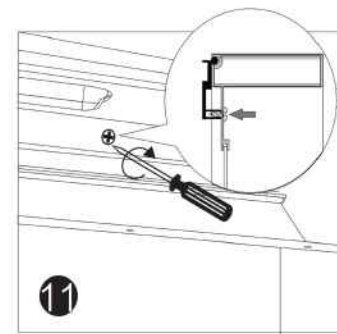
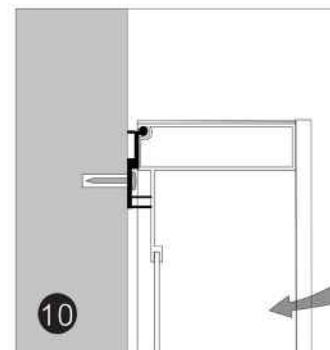
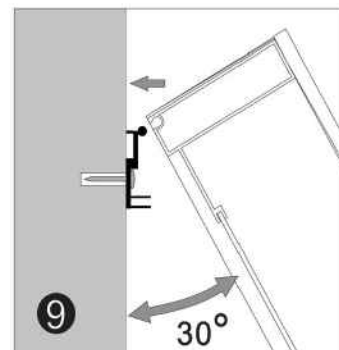
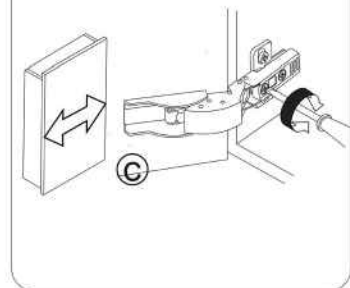
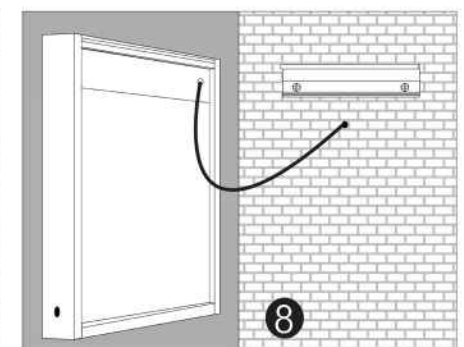
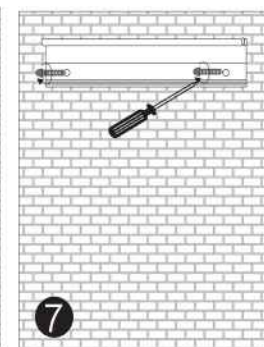
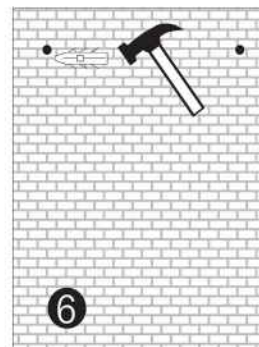
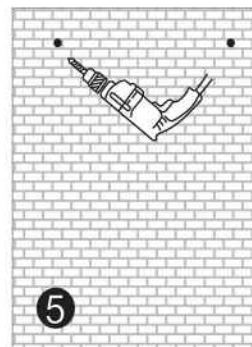
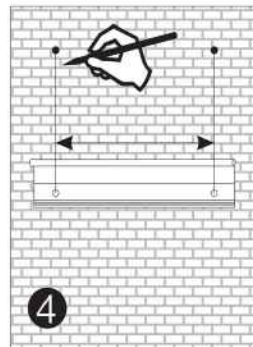
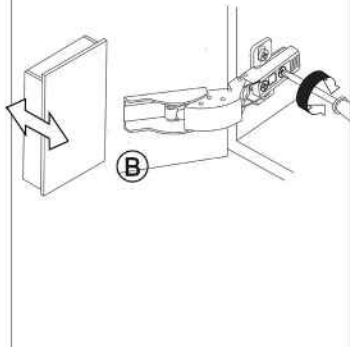
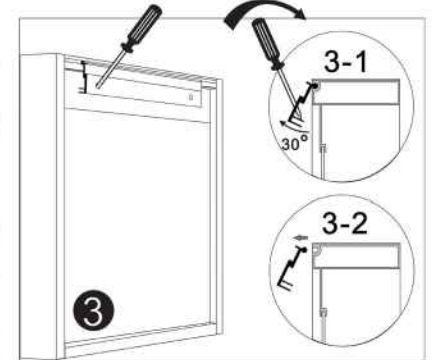
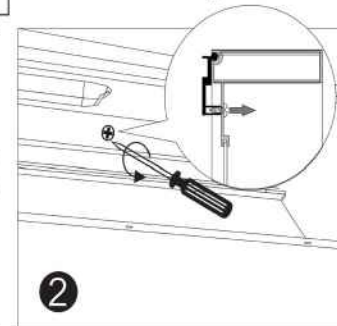
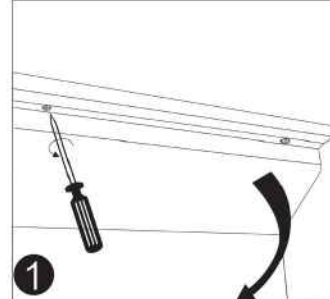
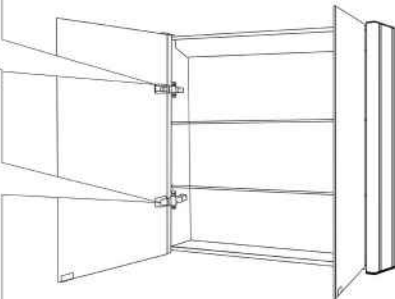
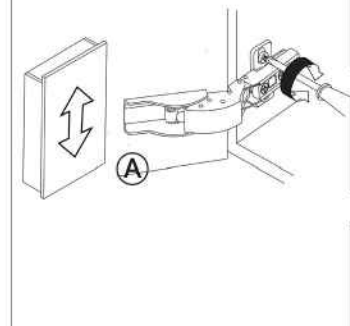
DLEDLV15
Installation Instructions

kitchensource.com
1.800.667.8721

TAKE OFF THE BUFFER AND THE COVER OF THE HINGE WHEN DOOR NEED TO BE ADJUSTED



DLEDLV15 25-9/16" x 5-5/16" x 27-9/16"
LED Aluminum Mirror/Medicine Cabinet (IR Sensor)
White Painting Frame



Door adjustment

CE IP23

IMPORTANT: Recommended for professional installers only. The installer maintains responsibility for installing the product safely and correctly.

©2018 Dawn Kitchen & Bath Products, Inc. All Rights Reserved.