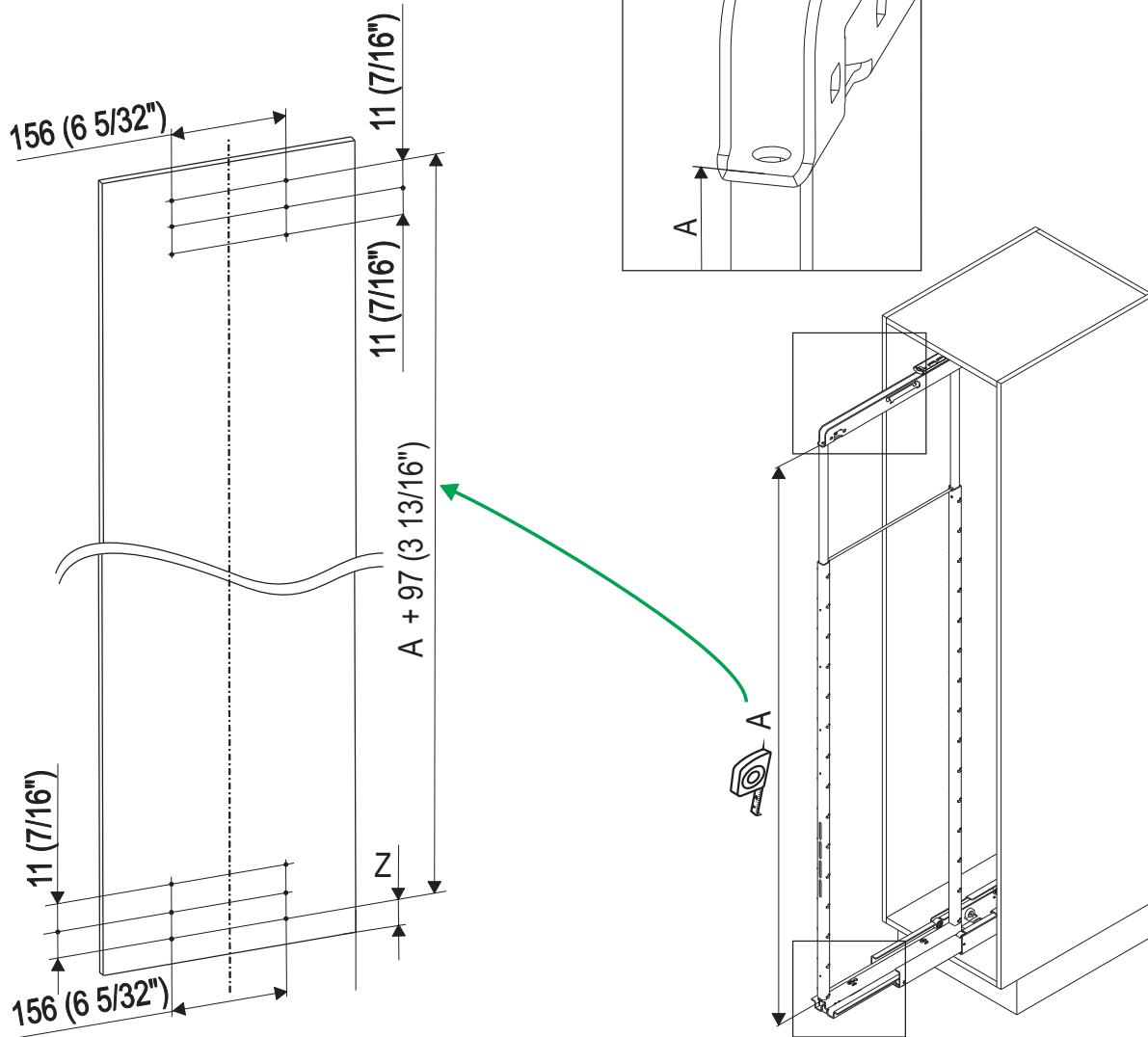


DISPENSA Pantry VVS-X

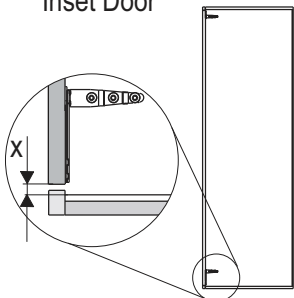


9

Drillhole position door brackets

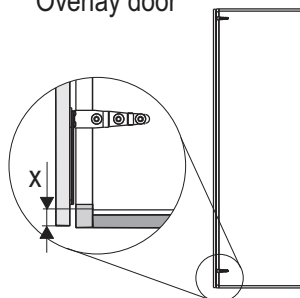


Inset Door

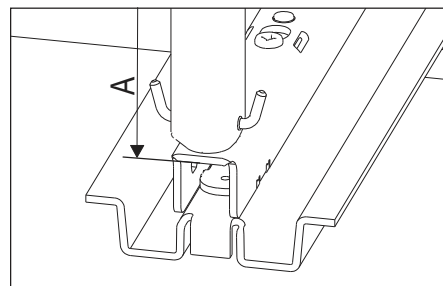


$$Z = 13.5 (17/32'') - X$$

Overlay door



$$Z = 13.5 (17/32'') + X$$

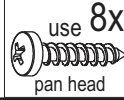


DISPENSA Pantry VVS-X

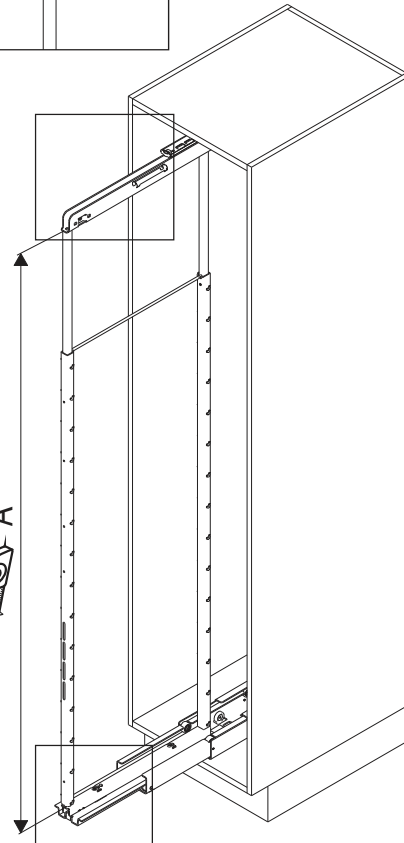
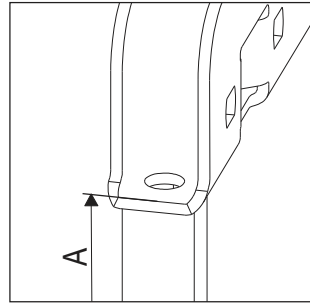
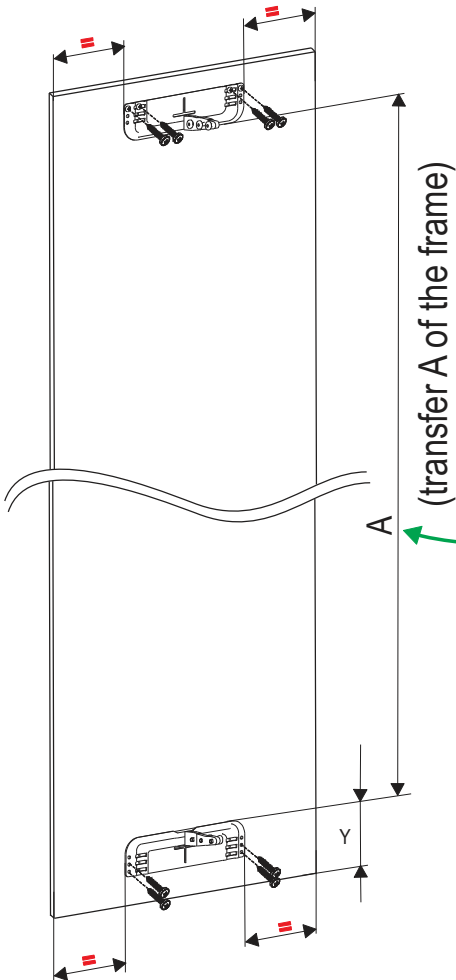


10

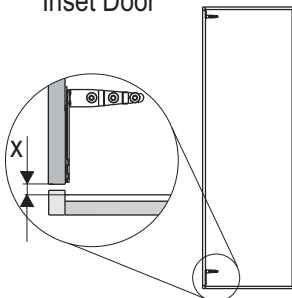
Mount door brackets



Mount bottom bracket first!

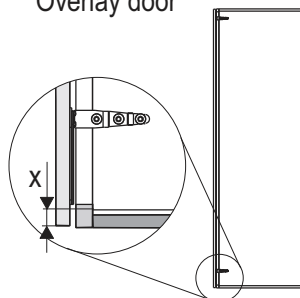


Inset Door

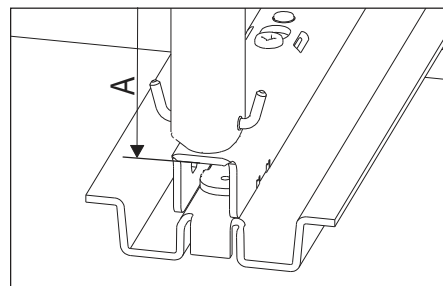


$$Y = 62 (2 \frac{7}{16}) - X$$

Overlay door



$$Z = 62 (2 \frac{7}{16}) + X$$



DISPENSA Pantry VVS-X

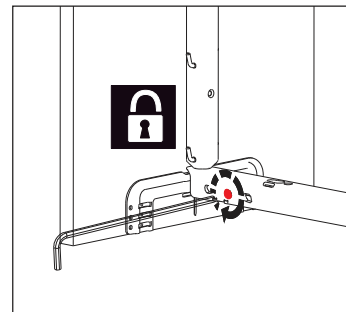
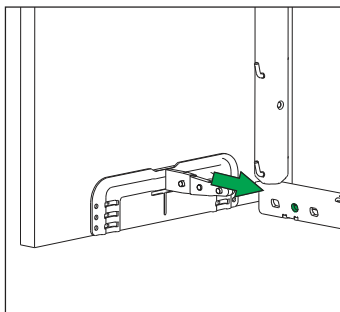
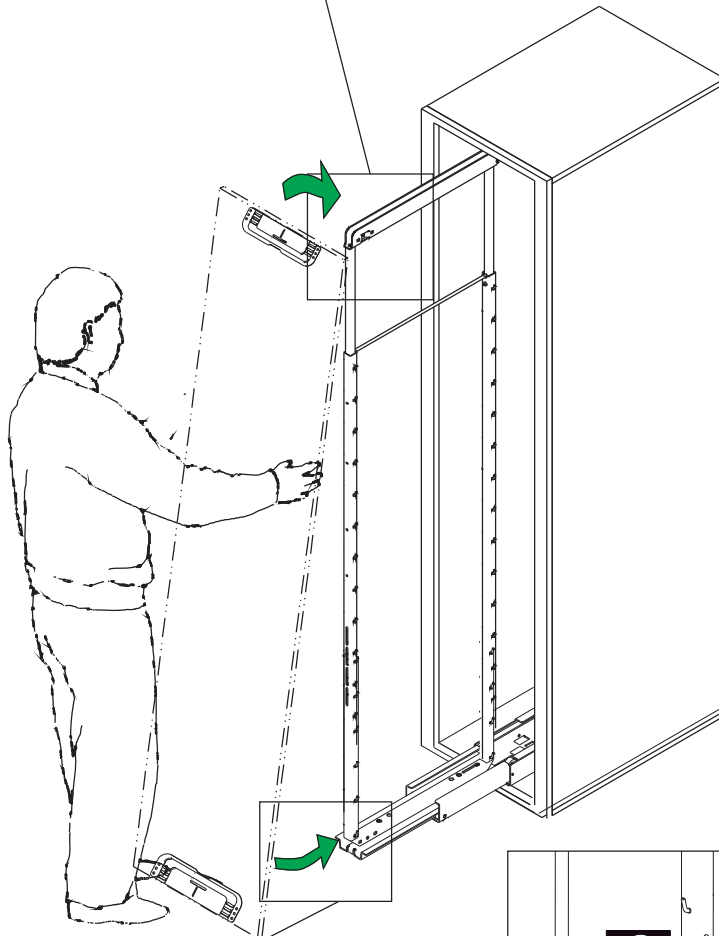
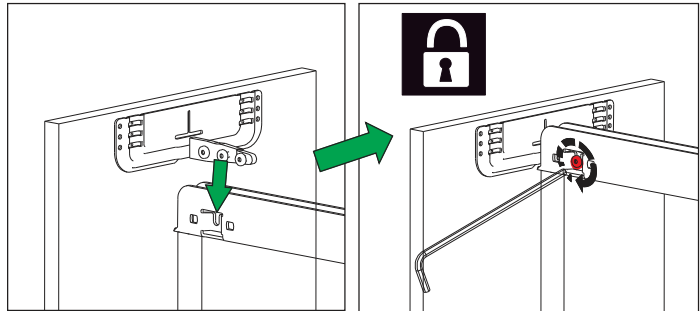
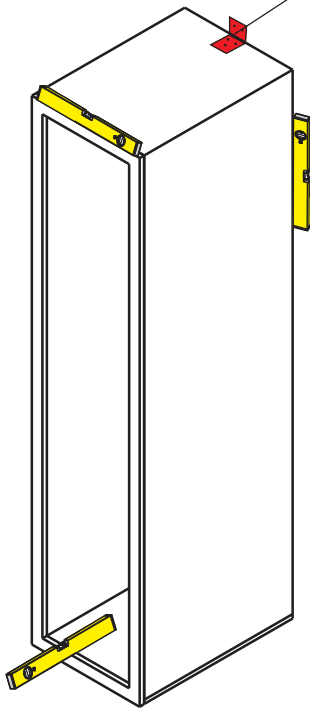


11

Mount the door



The cabinet needs to be secured plumb and level!



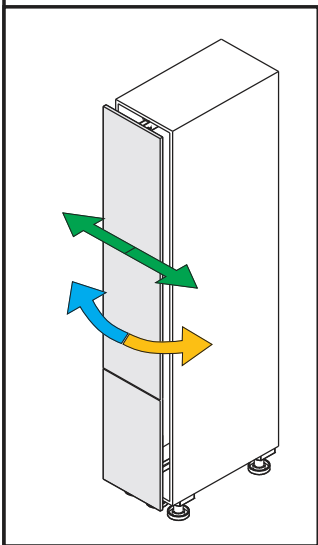
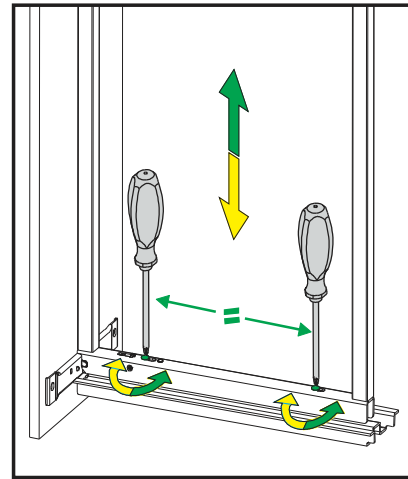
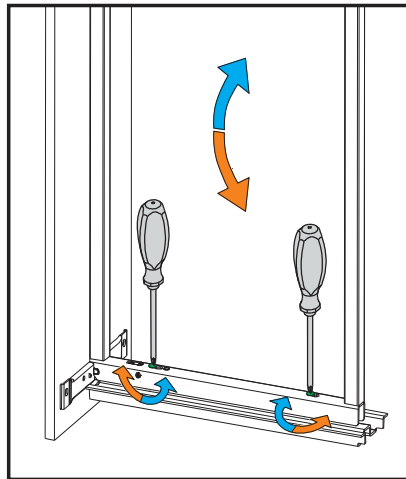
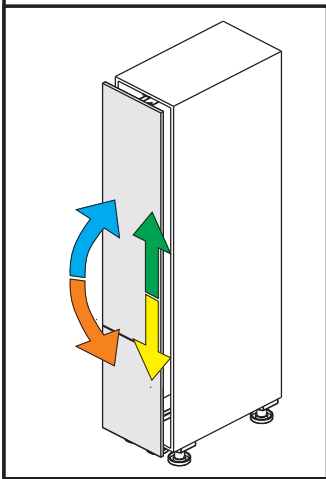
DISPENSA Pantry VVS-X



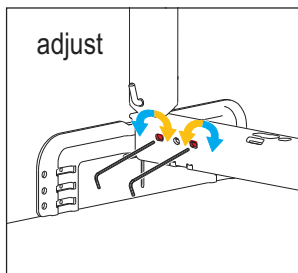
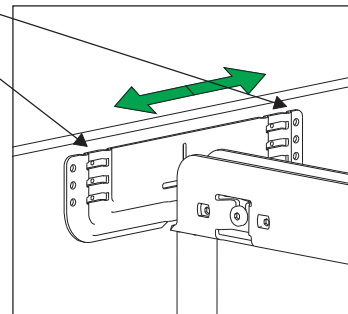
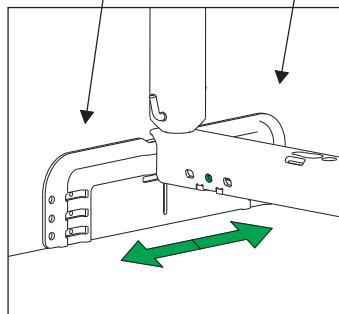
12

Adjustments

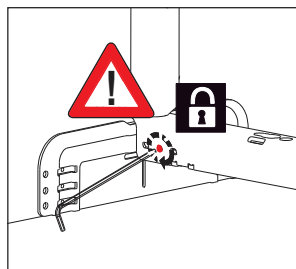
mm



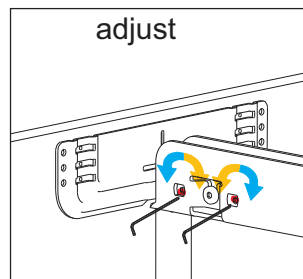
Side to side adjustment



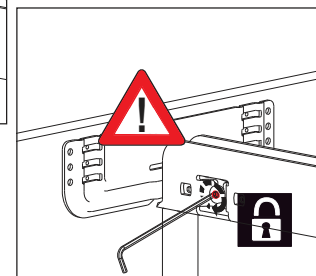
adjust



tighten
fixing screw



adjust



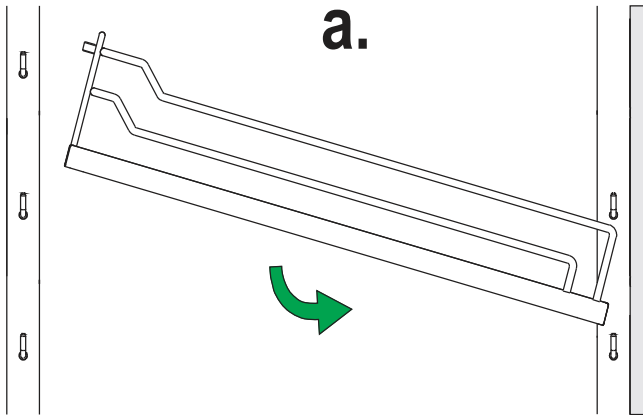
tighten
fixing screw

DISPENSA Pantry VVS-X



14

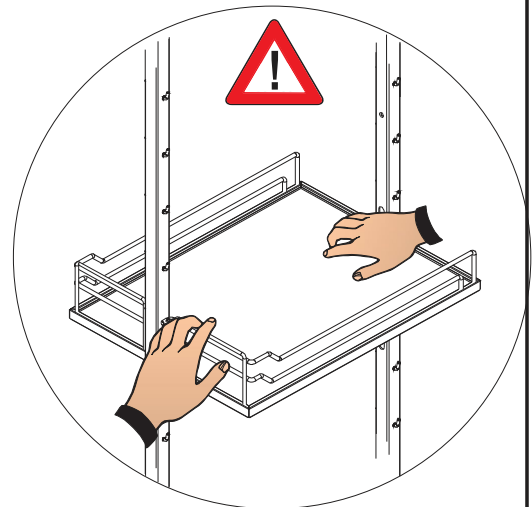
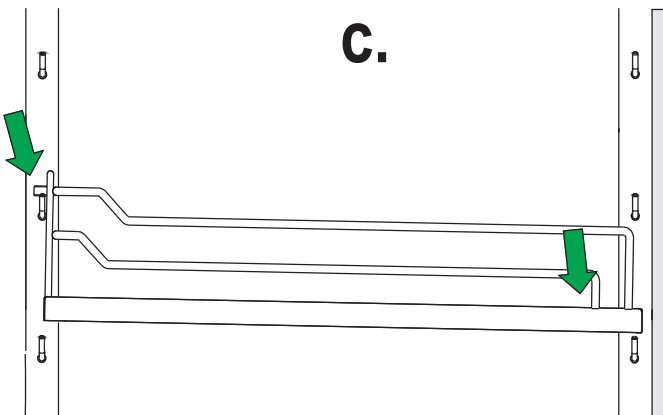
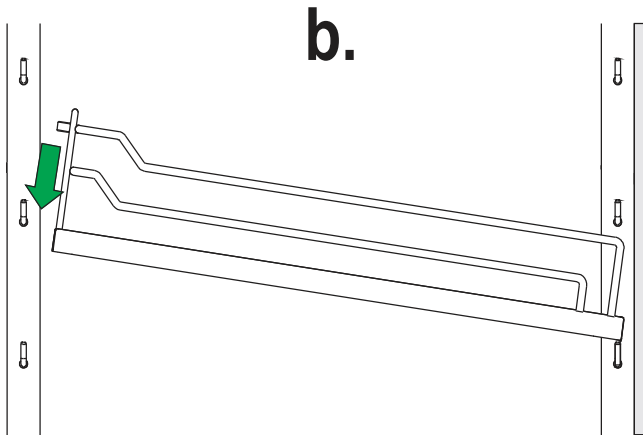
Installing the shelves



Door

Install shelves resting the front edge first, then engage the back hooks.

Don't push on side rails to install !



Subject to technical modifications without notice.