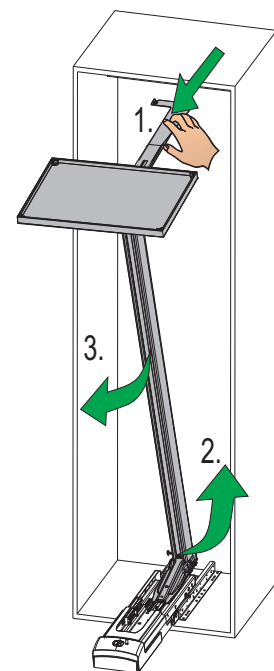
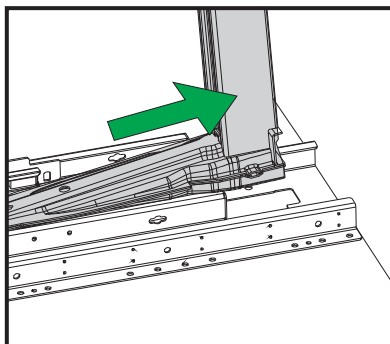
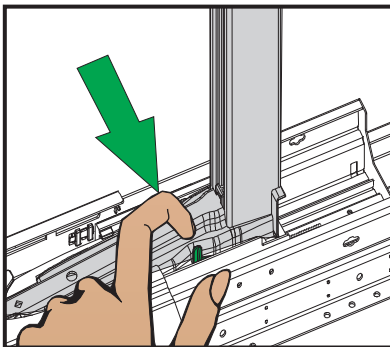
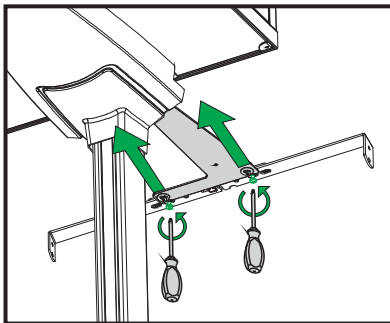
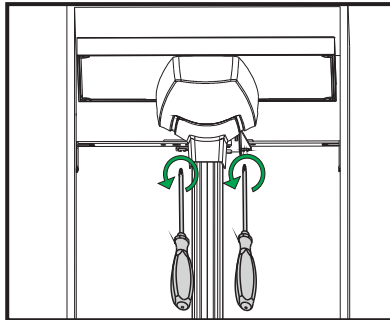
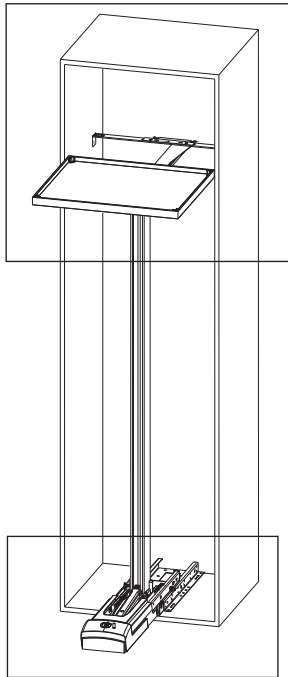


CONVOY Lavidò

12

How to remove the unit out of the cabinet



CONVOY Lavido

13

Drillhole positions

use 4x countersunk screws Ø4.5 (3/16")

use 12x countersunk screws

min 19 3/4" min 500

min 5/8" min 16

min 5/8" min 16

483 frameless faceframe overlay

483 faceframe inset

32 lateral bar

Shim

RH	H mm	H inch
630	645	25 3/8"
730	745	29 3/8"
830	845	33 1/4"
930	945	37 1/4"
1030	1045	41 1/8"
1130	1145	45 1/8"
1230	1245	49"
1330	1345	53"
1430	1445	56 7/8"
1530	1545	60 7/8"
1630	1645	64 3/4"
1730	1745	68 3/4"
1830	1845	72 5/8"

RH frame height

CONVOY Lavidio

13a

Drillhole positions

