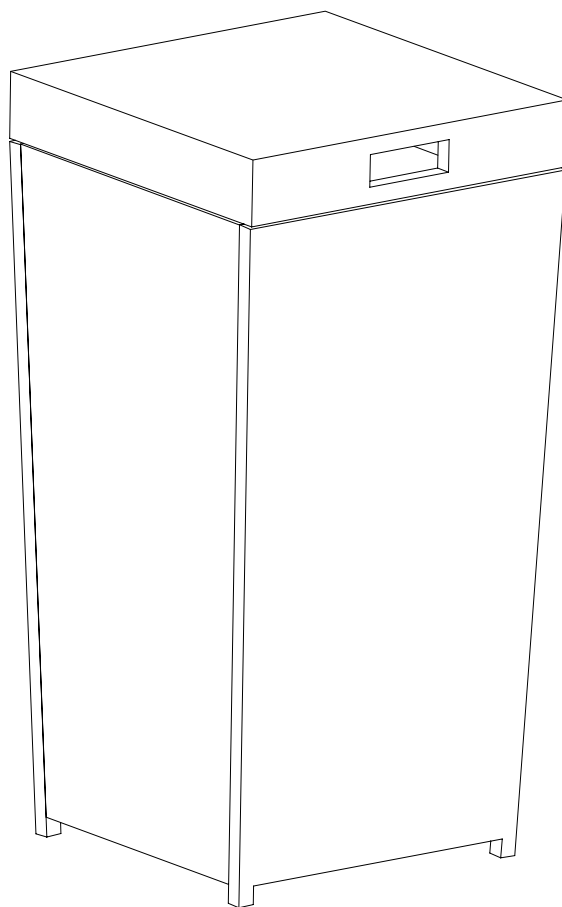


C R O S L E Y
F U R N I T U R E

PALM HARBOR
WICKER TRASH BIN
CO7301-BR



C R O S L E Y

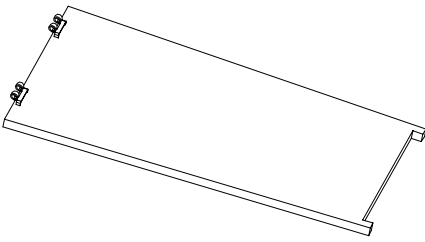
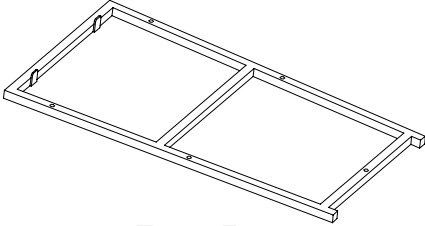
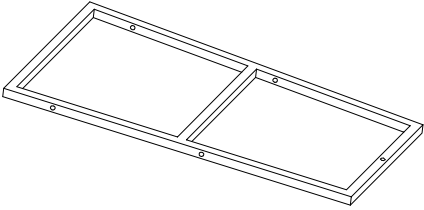
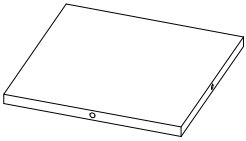
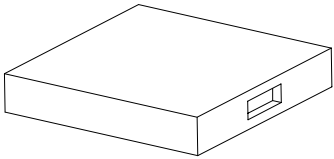
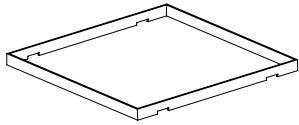
F U R N I T U R E

Congratulations! You have purchased a stylish piece of Crosley Furniture. We strived to provide fine furniture products, built with quality materials and hand finished details. Please carefully follow the assembly instructions to ensure your furniture is assembled correctly to provide long lasting enjoyment.

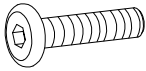
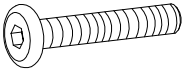

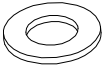
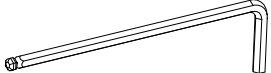
Should you experience any missing or damaged parts, **do not return to the store**, Please visit our website www.Crosleyfurniture.com, or contact us directly at 800-815-4796.

Care: Use a soft, clean cloth that will not scratch the surface when cleaning. The use of solvents is not necessary. Should you choose to use solvents, test in an inconspicuous area first to avoid damaging the finish. TO clean, simply use a soft, clean cloth lightly dampened with water.

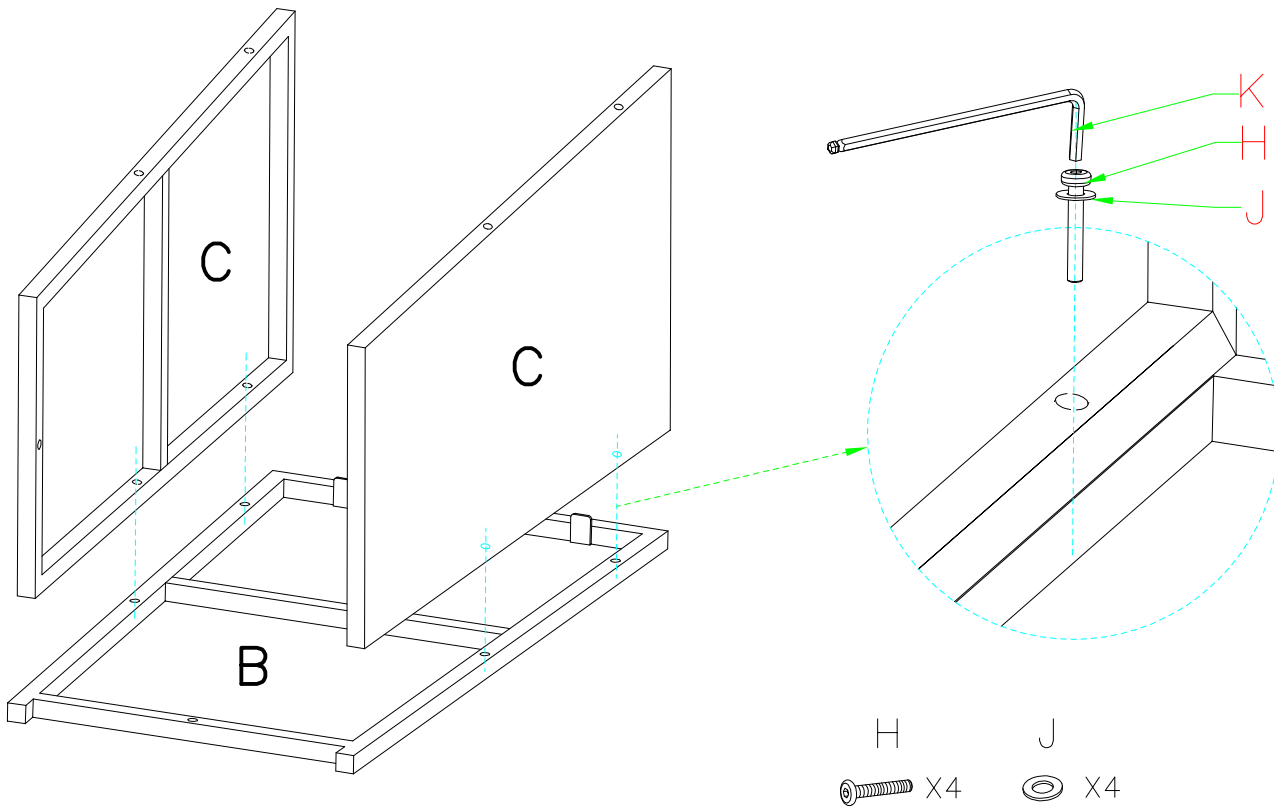
PART LIST

 <p>Back Panel</p>		 <p>Front Panel</p>		 <p>Side Panel</p>	
A	1pc	B	1pc	C	2pcs
 <p>Bottom Panel</p>		 <p>Top Panel</p>		 <p>Garbage Bag Holder</p>	
D	1pc	E	1pc	F	1pc

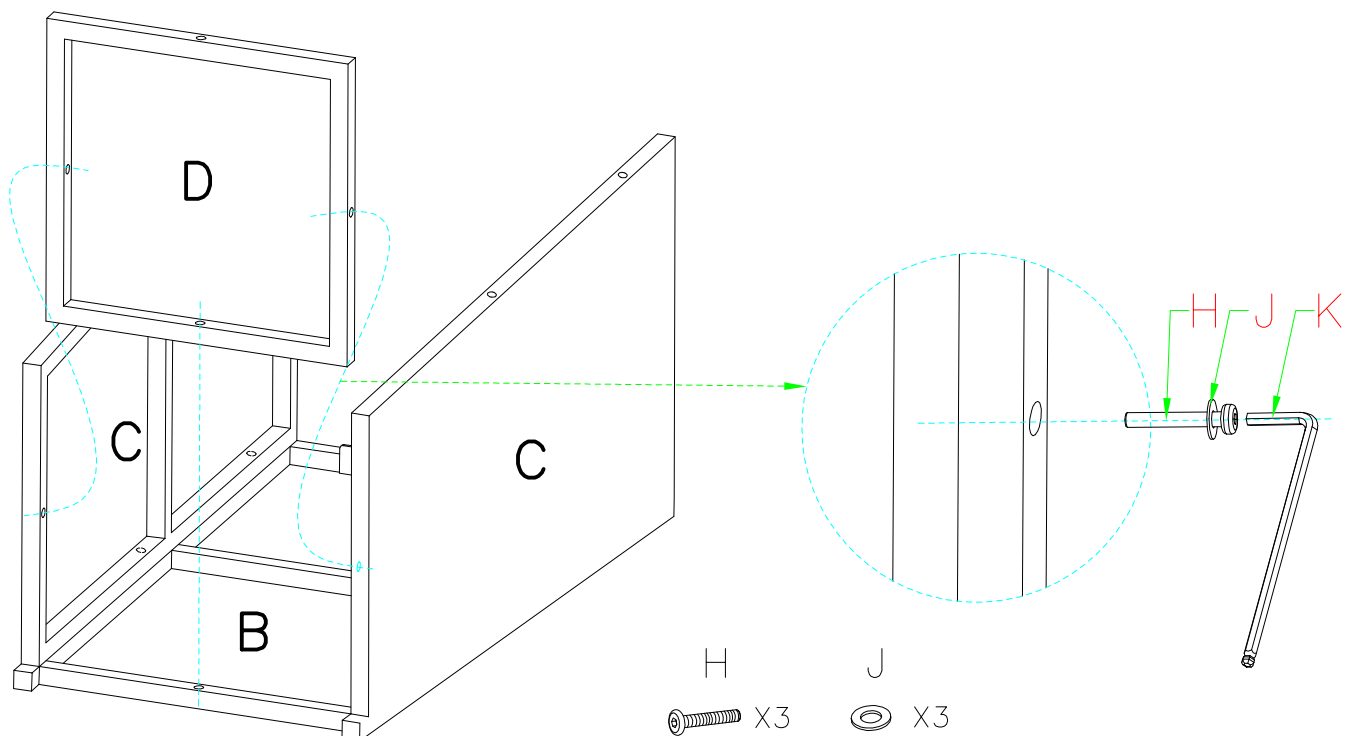
HARDWARE LIST

 <p>Short Bolt(M6*10mm)</p>		 <p>Long Bolt(M6*40mm)</p>		 <p>Inner Thread Bolt(M6 *40mm)</p>	
G	2pcs	H	12pcs	I	2pcs
 <p>Washer(M6mm)</p>		 <p>Allen Key(M6mm)</p>			
J	12pcs	K	2pcs		

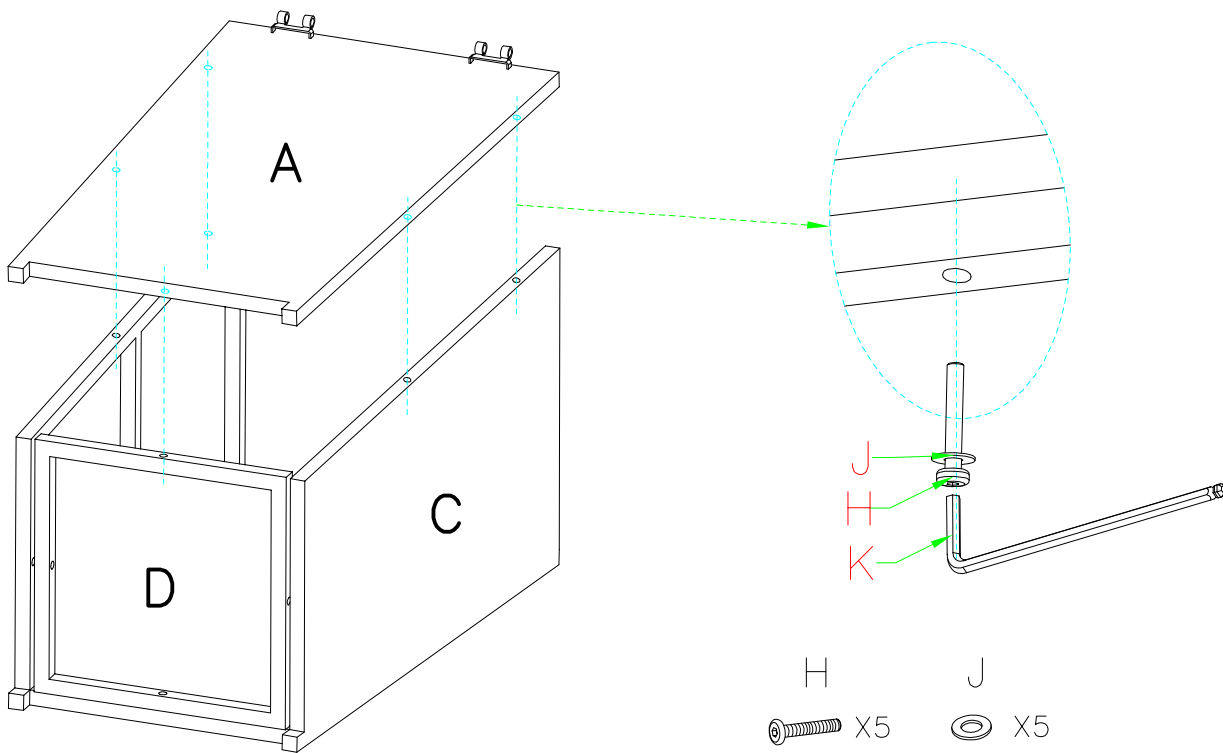
Step 1. Lay Front Panel (B) down on a flat surface, attach Side Panel (C) to Front Panel (B) using the Long Bolt (H) and Flat Washer (J).



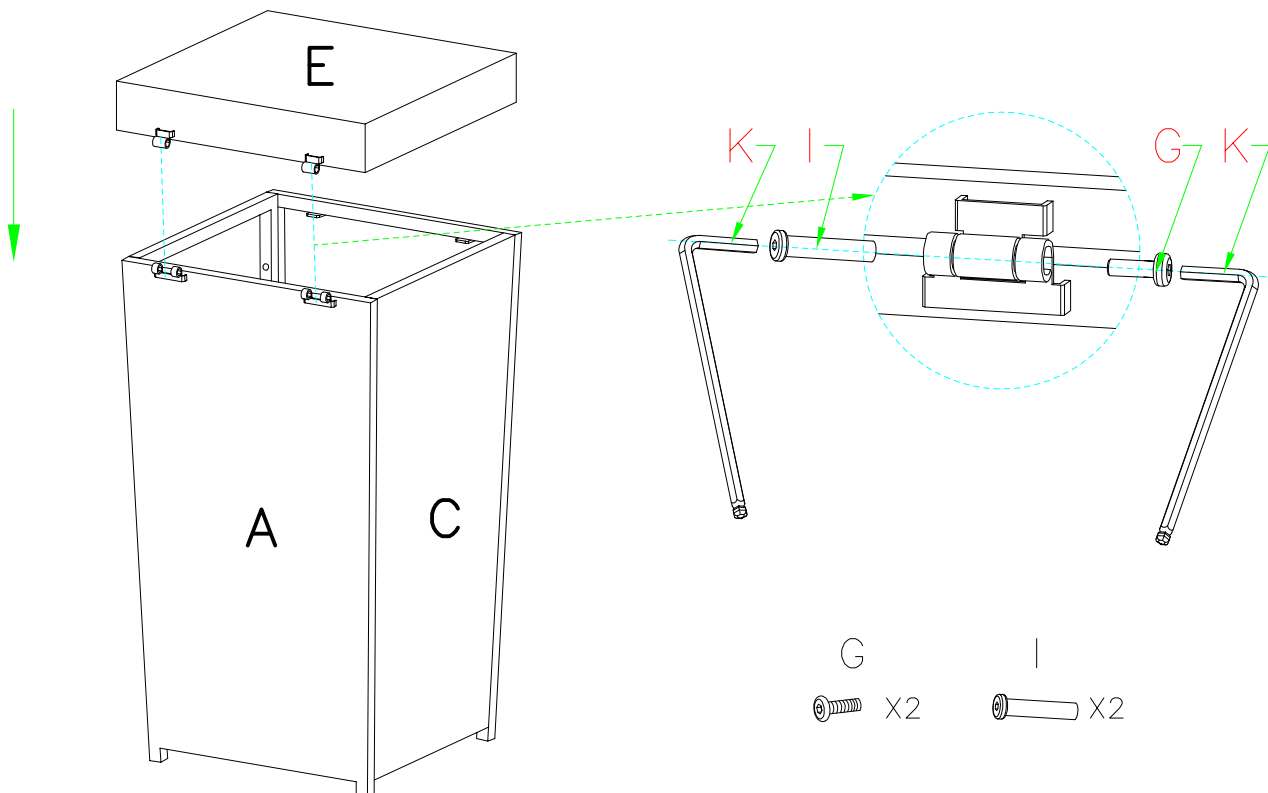
Step 2. Attach Bottom Panel (D) to Side Panel (C) and Front Panel (B) using a Long Bolt (H) and Flat Washer (J).



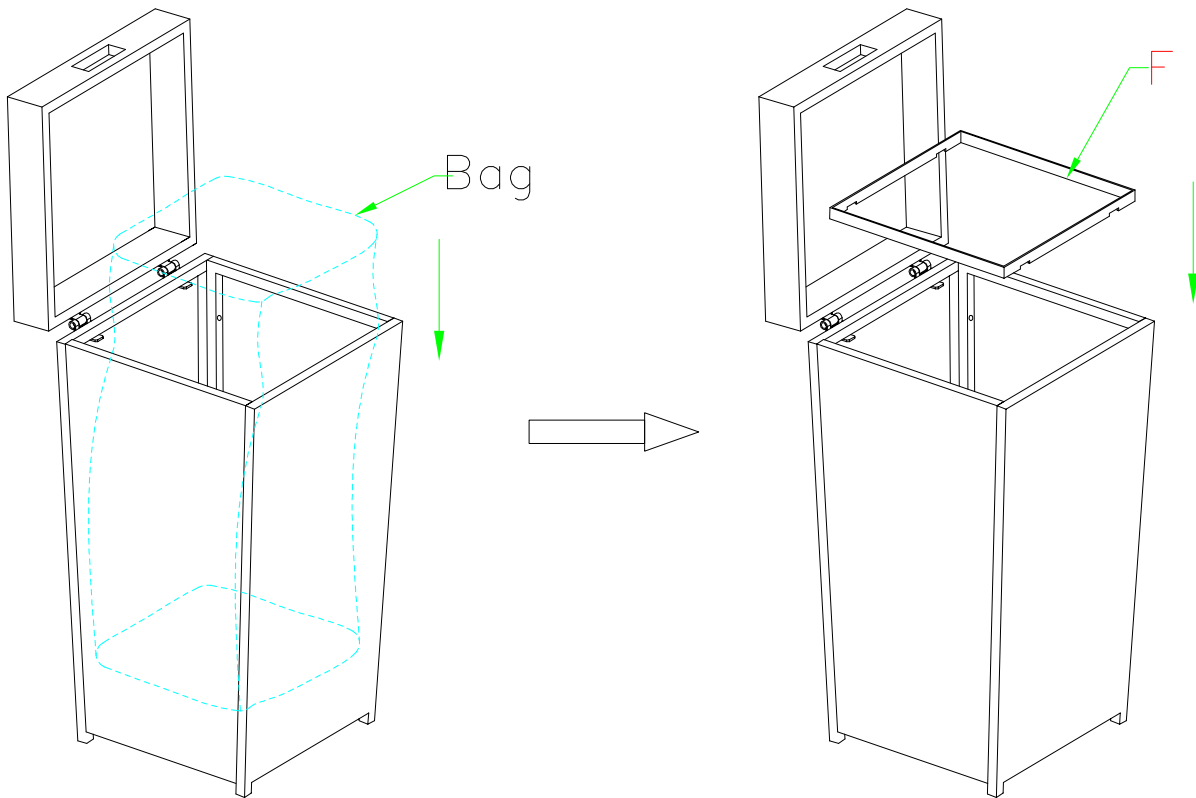
Step 3. Attach Back Panel (A) to Side Panels (C) and Bottom Panel (D) using a Long Bolt (H) and Flat Washer (J).



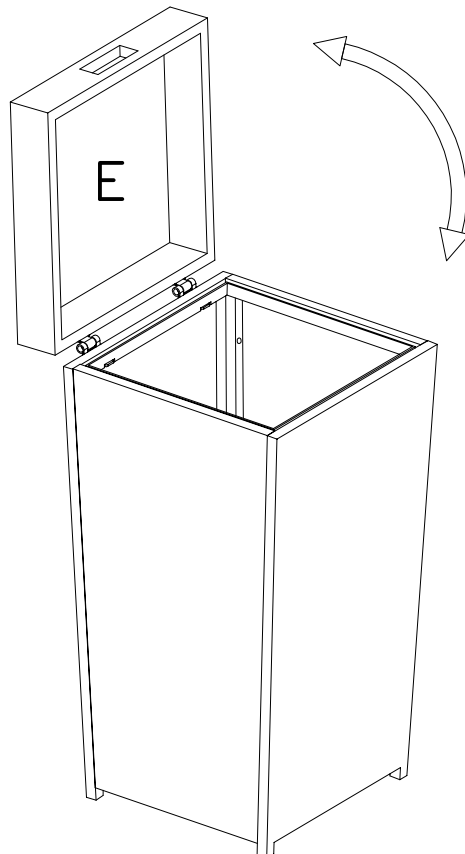
Step 4. Carefully place trash bin with the legs on the floor. Attach Top Panel (E) to Back Panel (A) using an Inner Thread Bolt (I), Short Bolt (G) and Allen Keys (K).



Step 5. Place garbage bag (not provide) inside the bin. Place Garbage Bag Holder (F) in bin, as shown.



Step 6. Top Panel (E) can be opened and closed.



C R O S L E Y
F U R N I T U R E

Limited Manufacturers Warranty

Crosley Furniture Products are warranted against defects in material and workmanship for a period of 90 days beginning from the date of sale. Should any parts be missing or defective, we will replace or repair the parts for a period of 90 days from the date of purchase.

Should you experience any missing or damaged parts, do not return to the store.

This warranty gives the purchaser specified legal rights in addition to any rights which may vary from state to state. In accordance with the "Moss-Magnuson Warranty Act" of July 10, 1975, this is termed a "limited warranty" which in no way compromises Crosley Furniture's high standards of Quality and Workmanship.