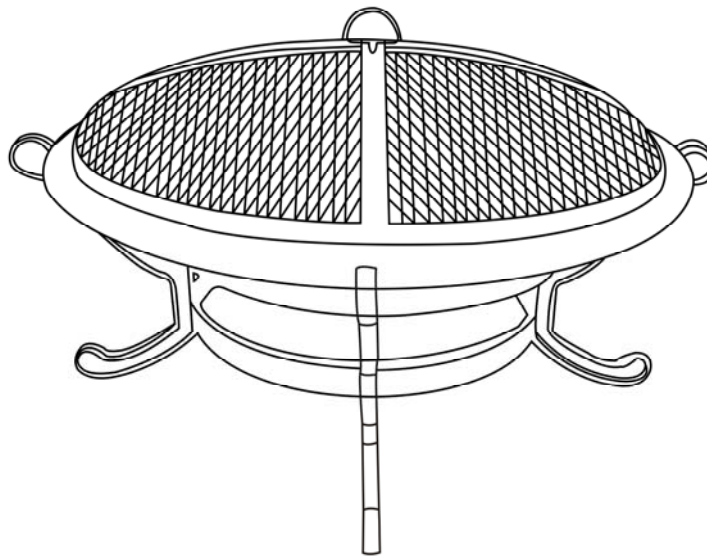


C R O S L E Y
O U T D O O R

CO9003A



INSTRUCTION MANUAL

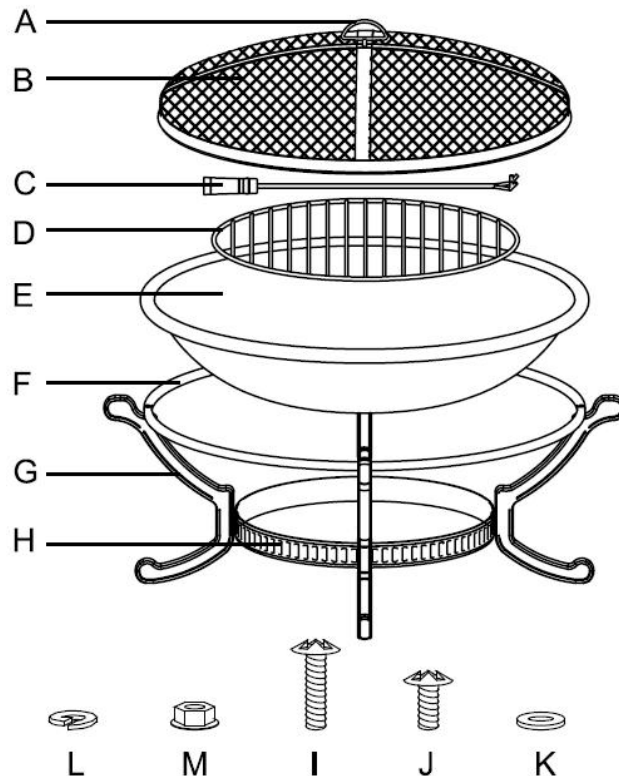
Assembly Instructions

WARNINGS:

- This fire bowl is intended for outdoor use only. Do not use on wooden decks.
- This fire bowl is intended to burn wood logs only. Do not burn coal, leaves, or other combustible materials in the fire bowl.
- Not for use by children. Keep children and pets away from the fire bowl.
- The fire bowl is hot. Use with caution. Do not touch the hot fire bowl with bare hands.
- Never leave the burning fire bowl unattended, and always extinguish the fire completely before leaving the fire bowl.
- Do not use near flammable or combustible objects or materials.
- When the fire bowl is in use, the handle on the mesh screen can reach extreme temperatures that can cause serious injury to an unprotected hand. Use a poker or an appropriate heat resistant glove or pad when handling.
- DO NOT use this fire bowl as a cooking appliance. This fire bowl is not designed for grilling food.
- Check local fire regulations and municipal by-laws for safe use.

PART LIST

NO.	DESCRIPTION	QTY.
A	Lift handle	1
B	Mesh screen	1
C	Poker	1
D	Cooking grate	1
E	Fire bowl	1
F	Top ring	1
G	Stand	4
H	Bottom ring	1



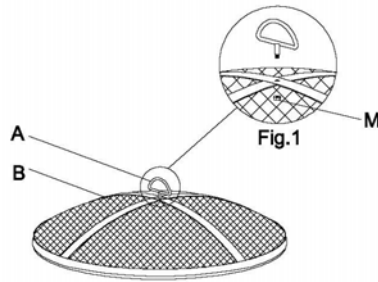
Hardware List

No.	Hardware	Qty
I	M6 X25 Bolt	4
J	M6 X14 Bolt	8
K	Flat washer M6	8
L	Spring washer M6	8
M	M6 Nut	1

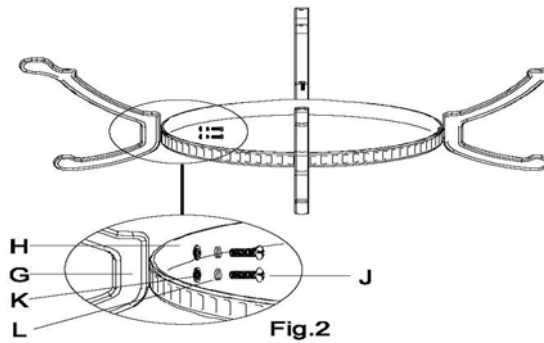
Note: You will need a screwdriver to help with the assembly.

Assembly step:

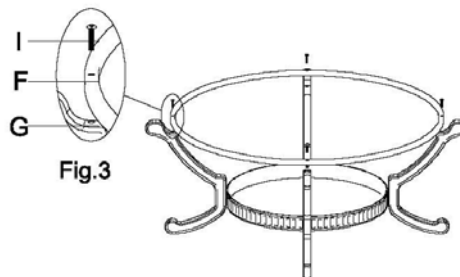
Step1 : Connect lift handle (A) to mesh screen (B), using the M6 nut (M).



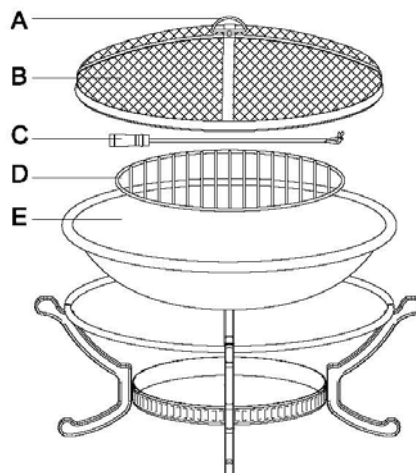
Step2: Connect stand (G) with bottom ring (H) using flat washer (K) and spring washer (L) and M6X14bolt (J) to fix.



Step 3: Connect stand (G) with top ring (F), using the bolt (I)



Step 4: Place the fire bowl (E) , log grate (D) , mesh cover(B) on the assembled base.



LIMITED MANUFACTURERS WARRANTY

Crosley warrants the product to be free from defects in material and workmanship under normal use for a period of one year from the original date of purchase. This warranty is not transferable. If the product is determined to be defective during the warranty period, the unit will be repaired or replaced at Crosley Radio's sole discretion. This warranty covers manufacturing defects and normal consumer use and does NOT cover damage or failure as a result of abuse, accident, alterations, misuse, neglect, abnormal wear and tear, inadequate maintenance, commercial or unreasonable use, damage caused by power surges, mishandling, accident, acts of God or attempted repair by an unauthorized service agent. Also not covered are cosmetic damages, cords and antennas.

Should this product fail to function in a satisfactory manner, it is best to first return it to the store or retailer where it was originally purchased. If additional service is still needed, the original purchaser must **FIRST** contact our offices to obtain an RA (Return Authorization) Number.

There are no express warranties except as listed above.

The purchaser's bill of sale is the only proof of warranty entitlement.

This warranty gives the purchaser specified legal rights in addition to any rights which may vary from state to state.

In accordance with the "Moss-Magnuson Warranty Act" of July 10, 1975, this is termed a "limited warranty" which in no way compromises Crosley Radio's high standards of quality and workmanship.