

WELLS®

SPECIFICATIONS
v.1013



by WELLS

Rhythm Series
Under-Mount Single Bowl Lavatory
RTU2015-6

ADA

MATERIAL

Vitreous china

FEATURES

- Premium ceramic under-mount
- 2 color option: white/bisque
- Drain openings: 1 3/4"
- Drain placement: offset towards back
- Mounting hardware included
- Overhang cutout template
- Limited one-year warranty
- ADA compliance (See recommended ADA Installation below)

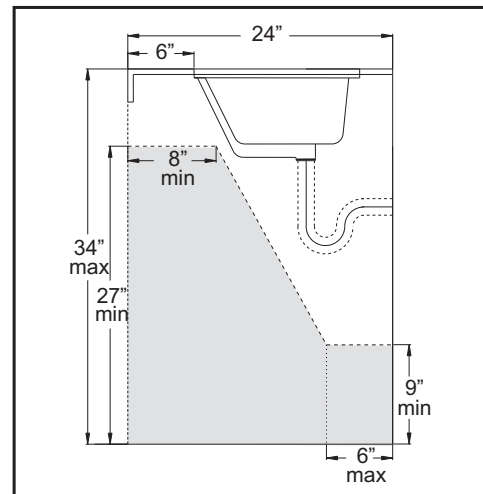
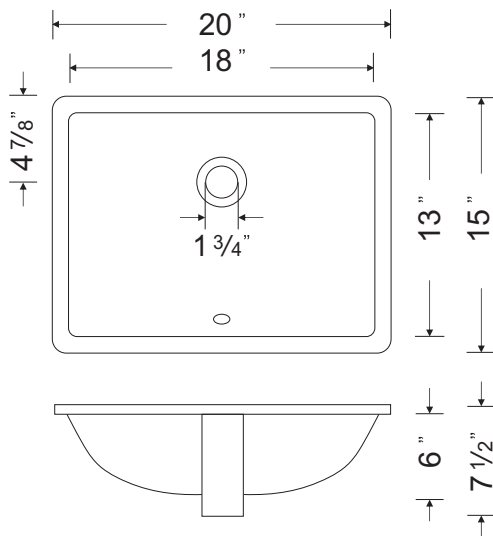


INSTALLATION NOTES

Comply with ADA when installed per 2010 ADA standards for Accessible Design.

SINK DIMENSIONS

Model	Overall		Bowl Inside						Minimum Cabinet Size
	L	W	L	W	D				
RTU2015-6	20"	15"	18"	13"	6"				18"



Recommended ADA Installation