

WELLS®

SPECIFICATIONS
v.1013

WENTWORTH

by WELLS

**Specialty Series
Under-Mount Single Bowl Sink
SSU2318-45**

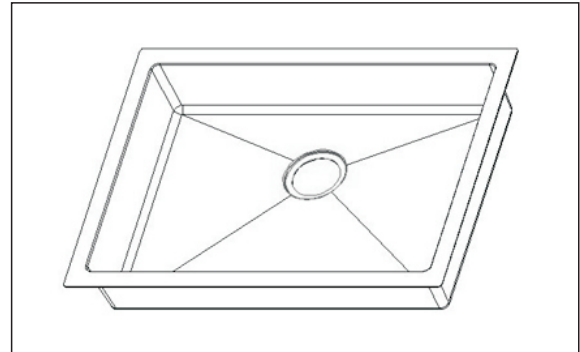
ADA

MATERIAL

Premium quality Type 304 nickel bearing stainless steel

FEATURES

- 18 gauge undermount
- Hand crafted with reserved-radius corners
- Heavier than 16 gauge pressed sink
- Sound absorbent coating & padding
- Drain openings: 3 1/2"
- Drain placement: offset towards back
- Mounting hardware included
- Cutout template included
- Limited lifetime warranty
- Complies with ASME A 112.19.3-2008/CSA B45.4-08
- ADA compliance (See recommended ADA Installation below)



OPTIONAL ACCESSORIES

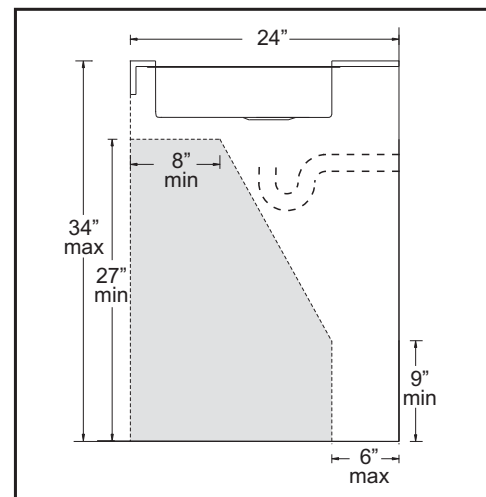
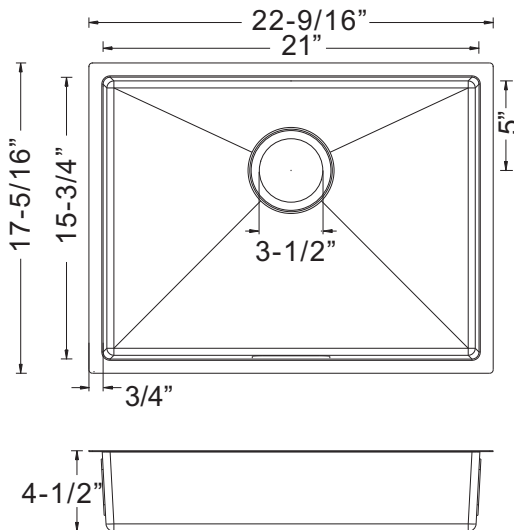
Basket Strainer: S9900



S9900

SINK DIMENSIONS

Model	Overall		Inside						Recommend Cabinet Size
	L	W	L	W	D				
SSU2318-45	22-9/16"	17-5/16"	21"	15-3/4"	4-1/2"				27"



Recommended ADA Installation