

IMPORTANT INSTRUCTIONS - OPERATING MANUAL

Models:
AKS2, AKS3, AKS4



Rocker Switches

kitchensource.com
1.800.667.8721

READ AND SAVE THESE INSTRUCTIONS

READ CAREFULLY BEFORE ATTEMPTING TO ASSEMBLE, INSTALL, OPERATE OR MAINTAIN THE PRODUCT DESCRIBED. PROTECT YOURSELF AND OTHERS BY OBSERVING ALL SAFETY INFORMATION. FAILURE TO COMPLY WITH INSTRUCTIONS COULD RESULT IN PERSONAL INJURY AND/OR PROPERTY DAMAGE!

RETAIN INSTRUCTIONS FOR FUTURE REFERENCE.

GENERAL SAFETY INFORMATION

When using electrical appliances, basic precautions should always be followed to reduce the risk of fire, electric shock and injury to person, including the following:

1. Read all instructions before installing or using switch.
2. Use this unit only in the manner intended by the manufacturer. If you have questions, contact the manufacturer.
3. Turn off power and lock out service panel before installing or wiring this product.
4. When cutting or drilling into wall or ceiling, do not damage electrical wiring and other hidden utilities.
5. This unit must be grounded.

CAUTION: ALL ELECTRICAL WORK MUST BE DONE IN ACCORDANCE WITH LOCAL CODES, ORDINANCES, OR NATIONAL ELECTRICAL CODE AS APPLICABLE. FOR SAFETY, THIS PRODUCT MUST BE INSTALLED IN A GROUNDED SWITCH BOX. IF YOU ARE UNFAMILIAR WITH METHODS OF INSTALLING ELECTRICAL WIRING, SECURE THE SERVICES OF A QUALIFIED ELECTRICIAN.

WARNING: TO PREVENT SERIOUS INJURY FROM ELECTRICAL SHOCK OR DAMAGE TO ELECTRICAL COMPONENTS - DO NOT WIRE HOT.

INSTALLATION INSTRUCTIONS

CAUTION: INSTALLATION BY A LICENSED ELECTRICIAN IS RECOMMENDED. INSTALLATION AND USE OF THIS EQUIPMENT SHOULD BE IN ACCORDANCE WITH PROVISIONS OF THE NATIONAL ELECTRICAL CODE, APPLICABLE LOCAL CODES AND PERTINENT INDUSTRY STANDARDS.

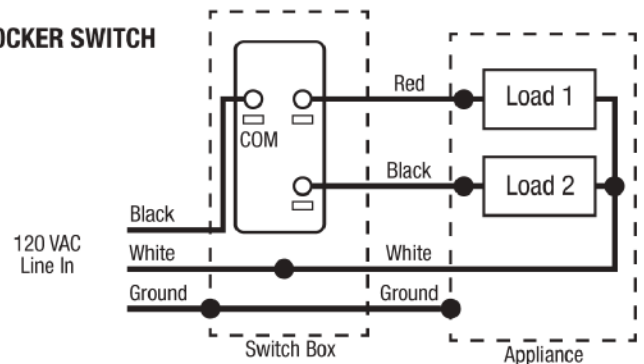
CAUTION: TURN POWER OFF AT CIRCUIT BREAKER OR FUSE PANEL.

NOTE: Each individual rocker switch on this control is rated at 15 AMPS @ 120 VAC. The total load on this control must not exceed 20 AMPS @ 120 VAC

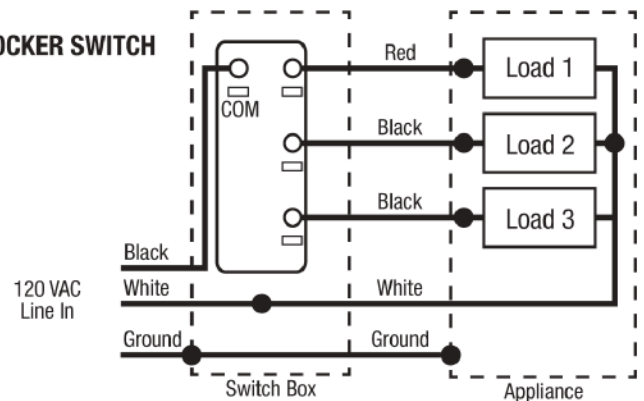
WARRANTY IS VOID IF MISWIRED

1. **Mount the Switch Box:** Install at least a 2-1/2" deep switch box for 14 gauge wire or at least a 2-3/4" deep switch box for 12 gauge wire.
2. **Attach Power Cable:** Connect cables to the switch box and appliance using appropriate connectors. Provide 6" leads inside box and appliance.
3. **Connect Wiring:** Remove insulation per strip gauge on control (approximately 1/2") and insert solid copper wire only into appropriate holes - Black (hot) to Common Terminal hole. Make sure both the switch box and the appliance are properly grounded.
4. Make electrical connections following appropriate diagram. Model AKS4 utilizes two (2) - 2 rocker switches.
5. **Mount Control in Switch Box:** Tuck wires into switch box and fasten the control to box using attached screws.
6. **Attach Switch Plate:** Fasten the switch plate to the control using the short screws from the parts bag.

2 - ROCKER SWITCH



3 - ROCKER SWITCH

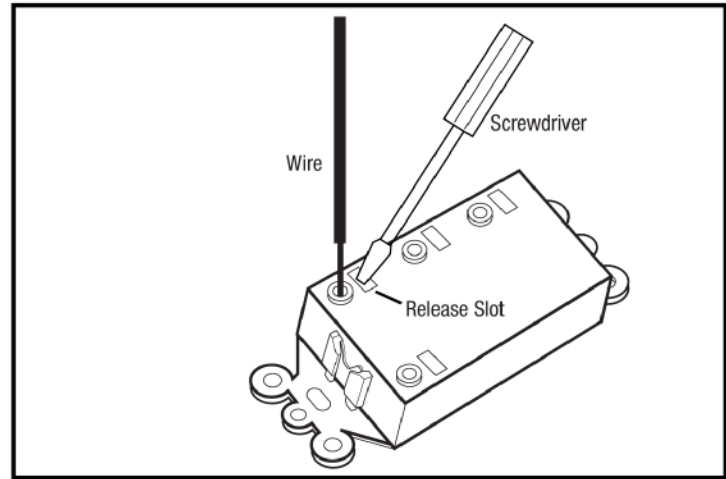


SAVE THESE INSTRUCTIONS

NOTE: If the switch has not been wired properly and wires need to be moved, proceed as follows:

WARNING: TO AVOID FIRE OR ELECTRICAL SHOCK, TURN OFF POWER AT THE CIRCUIT BREAKER OR FUSE. TEST THAT THE POWER IS OFF BEFORE WIRING.

1. Each wire has a release slot.
2. Push a small screwdriver into release slot while gently removing wire.
3. DO NOT pull any wire out of the switch without using the release slot. The switch may become damaged.



LIMITED WARRANTY

WHAT THIS WARRANTY COVERS: This product is warranted against defects in workmanship and/or materials.

HOW LONG THIS WARRANTY LASTS: This warranty extends only to the original purchaser of the product and lasts for one (1) year from the date of original purchase or until the original purchaser of the product sells or transfers the product, whichever first occurs.

WHAT AIR KING WILL DO: During the warranty period, Air King will, at its sole option, repair or replace any part or parts that prove to be defective or replace the whole product with the same or comparable model.

WHAT THIS WARRANTY DOES NOT COVER: This warranty does not apply if the product was damaged or failed because of accident, improper handling or operation, shipping damage, abuse, misuse, unauthorized repairs made or attempted. This warranty does not cover shipping costs for the return of products to Air King for repair or replacement. Air King will pay return shipping charges from Air King following warranty repairs or replacement.

ANY AND ALL WARRANTIES, EXPRESSED OR IMPLIED (INCLUDING, WITHOUT LIMITATION, ANY IMPLIED WARRANTY OF MERCHANTABILITY), LAST ONE YEAR FROM THE DATE OF ORIGINAL PURCHASE OR UNTIL THE ORIGINAL PURCHASER OF THE PRODUCT SELLS OR TRANSFERS THE PRODUCT, WHICHEVER FIRST OCCURS AND IN NO EVENT SHALL AIR KING'S LIABILITY UNDER ANY EXPRESS OR IMPLIED WARRANTY INCLUDE (I) INCIDENTAL OR CONSEQUENTIAL DAMAGES FROM ANY CAUSE WHATSOEVER, OR (II) REPLACEMENT OR REPAIR OF ANY HOUSE FUSES, CIRCUIT BREAKERS OR RECEPTACLES. NOTWITHSTANDING ANYTHING TO THE CONTRARY, IN NO EVENT SHALL AIR KING'S LIABILITY UNDER ANY EXPRESS OR IMPLIED WARRANTY EXCEED THE PURCHASE PRICE OF THE PRODUCT AND ANY SUCH LIABILITY SHALL TERMINATE UPON THE EXPIRATION OF THE WARRANTY PERIOD.

Some states and provinces do not allow limitations on how long an implied warranty lasts, or the exclusion or limitation of incidental or consequential damages, so these exclusions or limitations may not apply to you. This warranty gives you specific legal rights. You may also have other rights which vary from state to state and province to province. Proof of purchase is required before a warranty claim will be accepted.

CUSTOMER SERVICE:

∴kitchensource.com
☎ 1.800.667.8721

PARTS FOR DISCONTINUED, OBSOLETE AND CERTAIN OTHER PRODUCTS MAY NOT BE AVAILABLE. DUE TO SAFETY REASONS, MANY ELECTRONIC COMPONENTS AND MOST HEATER COMPONENTS ARE NOT AVAILABLE TO CONSUMERS FOR INSTALLATION OR REPLACEMENT.