

06 / 2007 / 118

WARICORNER

patent protected

an *SefaCo.* Store
1-800-667-8721

Cabinet dimensions

Widths O.D.	: 900 mm
Depth min. I.D.	: 480 mm
Height min. I.D.	: 530 mm

Installation measurements

Height I.D.:	
WACO 2	530 mm (4 baskets)

Basket dimensions Saphir and Scalea

	basket width	basket depth	basket height
Front basket	450	305	75
Cabinet basket	430	370	75

Specifications

Fittings:	full extension
Colors:	RAL 9006 silver

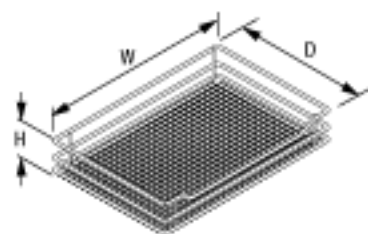
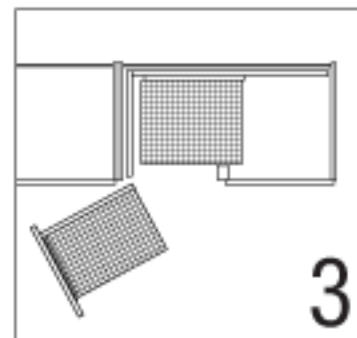
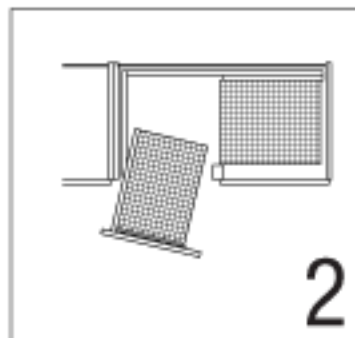
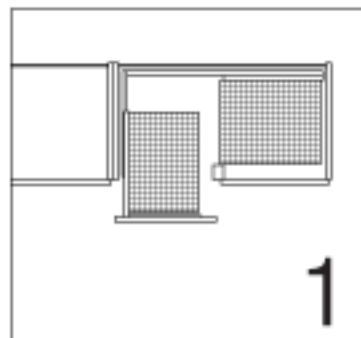
Load capacity of baskets:

Front baskets:	5 kg (12 lbs.)
Rear baskets:	12.5 kg (28 lbs.)

Baskets:

Saphir:	chrome
Scalea:	maple/RAL 9006 silver

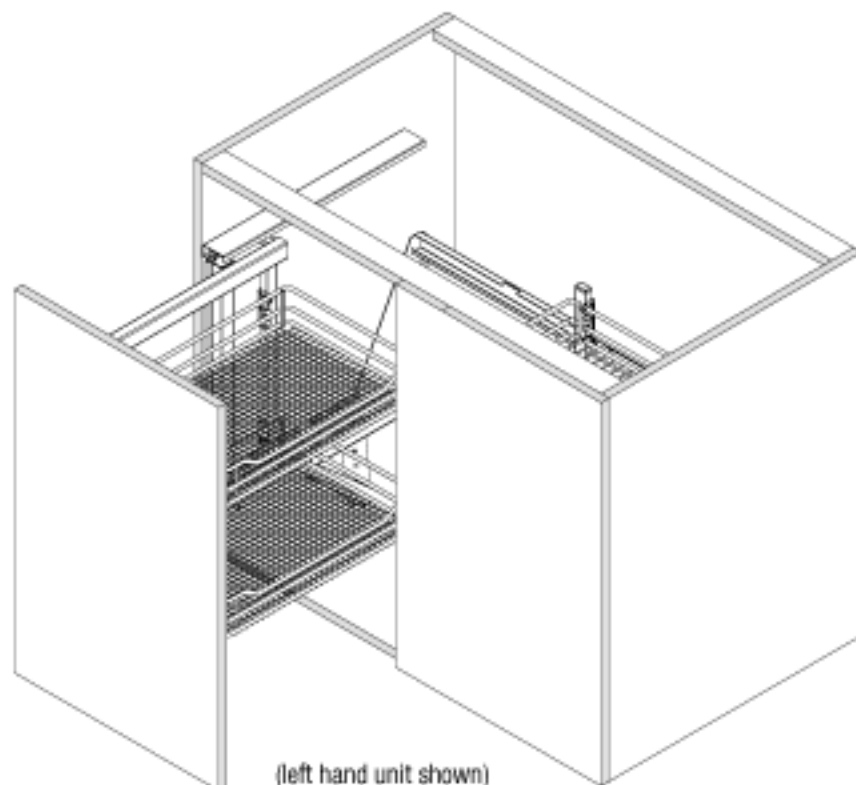
E-Z-Close Damping System standard



Saphir basket



Scalea basket

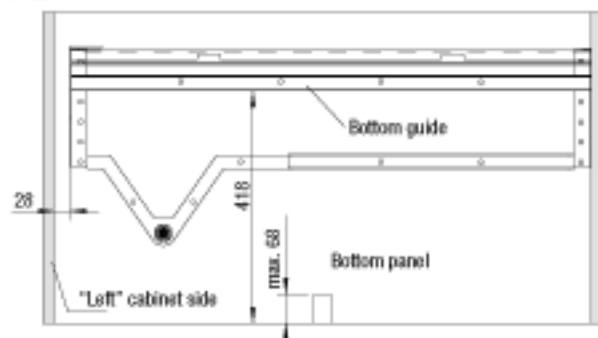
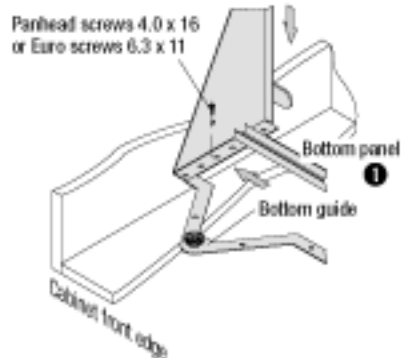


1 Bottom guide installation

Screw bottom guide to bottom panel 418 mm from cabinet front edge and 28 mm from left cabinet side panel (right with right-hand layout) with 10 screws.

Fastening materials:

Panhead screws 4.0 x 16
or Euro screws 6.3 x 11

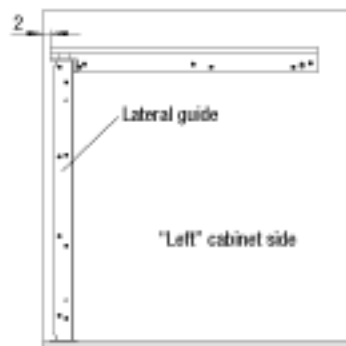
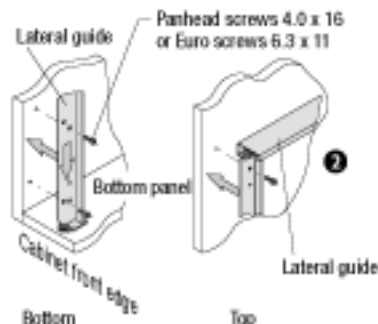


2 Lateral guide installation

Screw lateral guide to cabinet side panel 2mm from cabinet front edge with 7 screws.

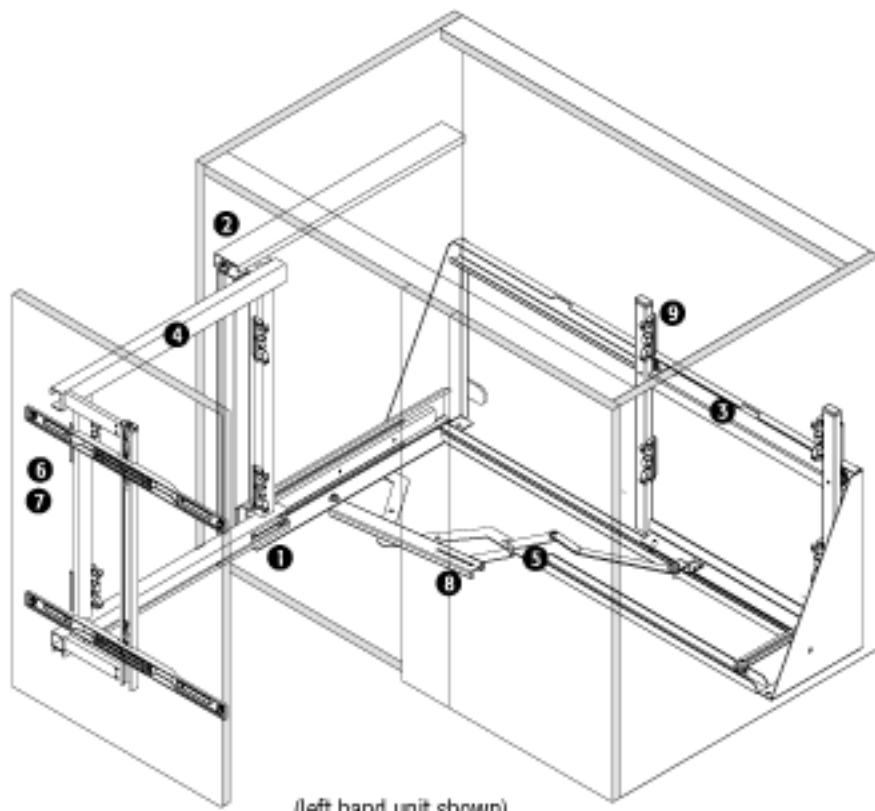
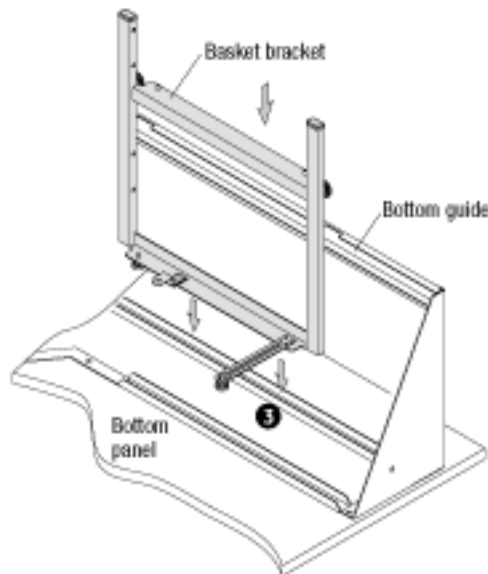
Fastening materials:

Panhead screws 4.0 x 16
or Euro screws 6.3 x 11



3 Basket bracket installation in bottom guide

Insert basket bracket centrally through cut-outs in the bottom guide. Ensure that rollers run in the guides!



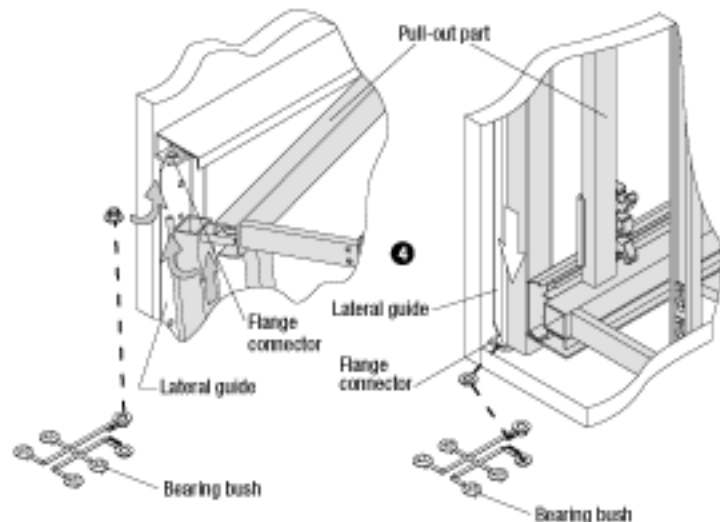
(left hand unit shown)

4 Pull-out part installation

Push Plastic Flange Connectors into top and bottom holes of the lateral guide. Insert the pull-out part at a slight angle into the upper flange connector of the lateral guide, ensuring that the rear guide roller runs in the guide. Now straighten the pull-out part and push into the lower flange connector of the lateral guide. To secure, press in the cover cap with integrated safety clip under the Top flange connector.

Fastening materials:

Plastic Flange connectors
Cover cap with safety clip



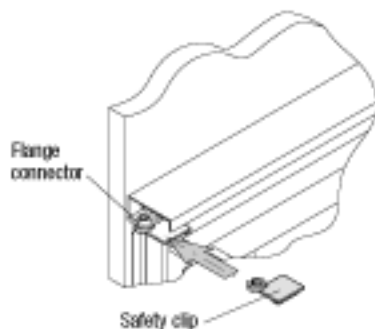
5 Scissor hinge installation

Detach plastic insert and euro screw firstly before trying to locate scissor hinge onto guide roller.

Push the scissor hinge onto the guide roller and screw to basket bracket and pull-out part with screws provided.

Fastening materials:

Bearing bushes
Panhead threaded screws M5 x 12

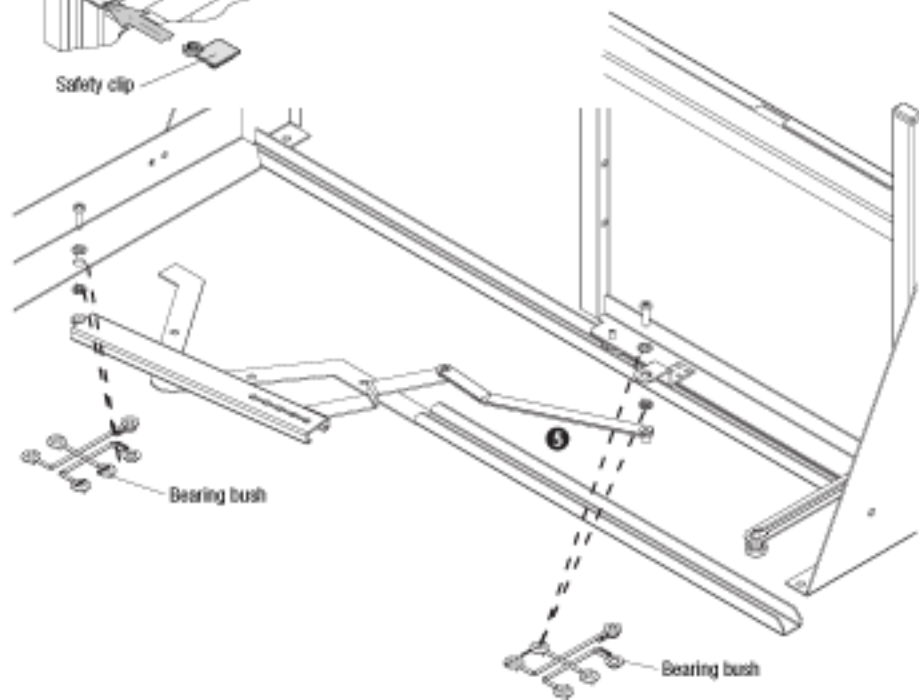


Important for opening restriction:

Subsequently, insert the plastic part in the scissor hinge and screw in with the Euro screws supplied.

Fixing materials:

Plastic part
Euro screws 6.3 x 11



6 If there are drilled holes for hinges on the inside of the front panel use the plastic Caps to fill these holes (do not use the plastic caps of the cabinet or frontpanel).

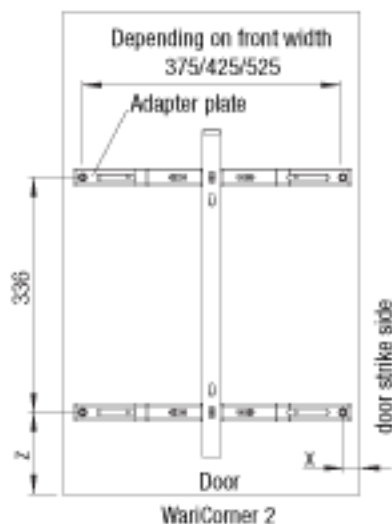
If necessary drill and screw the adapter plate directly into the plastic cap.

Plastic caps are not supplied with the item and must be ordered separately.

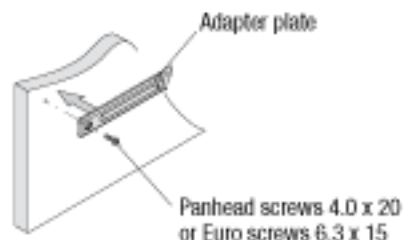
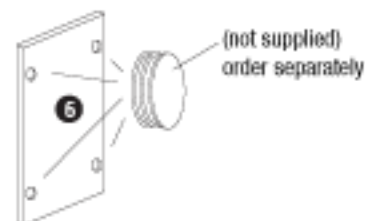
7 Door installation

Drill and screw adapter plate onto door as shown on adjacent diagram.

Fixing materials:
Panhead screws 4.0 x 20
or Euro screws 6.3 x 15

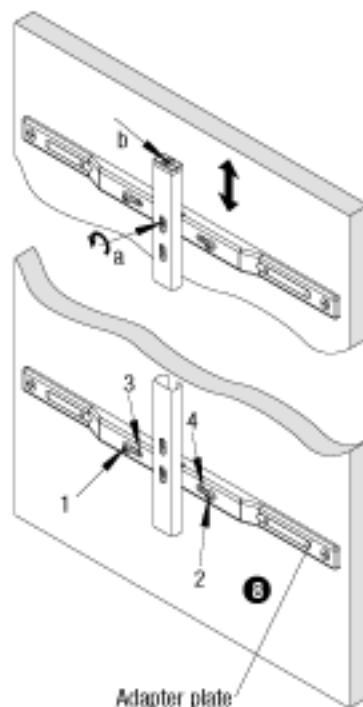
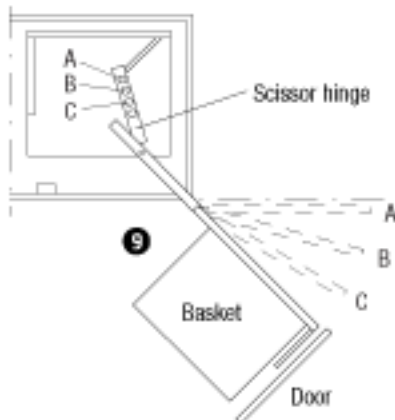


X = 22,5 mm + door overlap
Z = 106 mm + door overlap



8 Door adjustment

Untighten fastening screws 1+2 to laterally adjust the front. Use screws 3+4 to correct any left- or right-hand front misalignments. Turn the screws to the left to move the front towards the cabinet, turn them to the right to move the front away from the cabinet. Then retighten screws 1+2 firmly.



9 Setting door opening angle

The opening angle of the door is set by loosening screw A. Now move plastic part to B or C and re-tighten.

10 Mounting the baskets

Fix the larger baskets to the basket bracket with the basket clips.

Fix the smaller baskets to the pull-out part with the basket clips.

