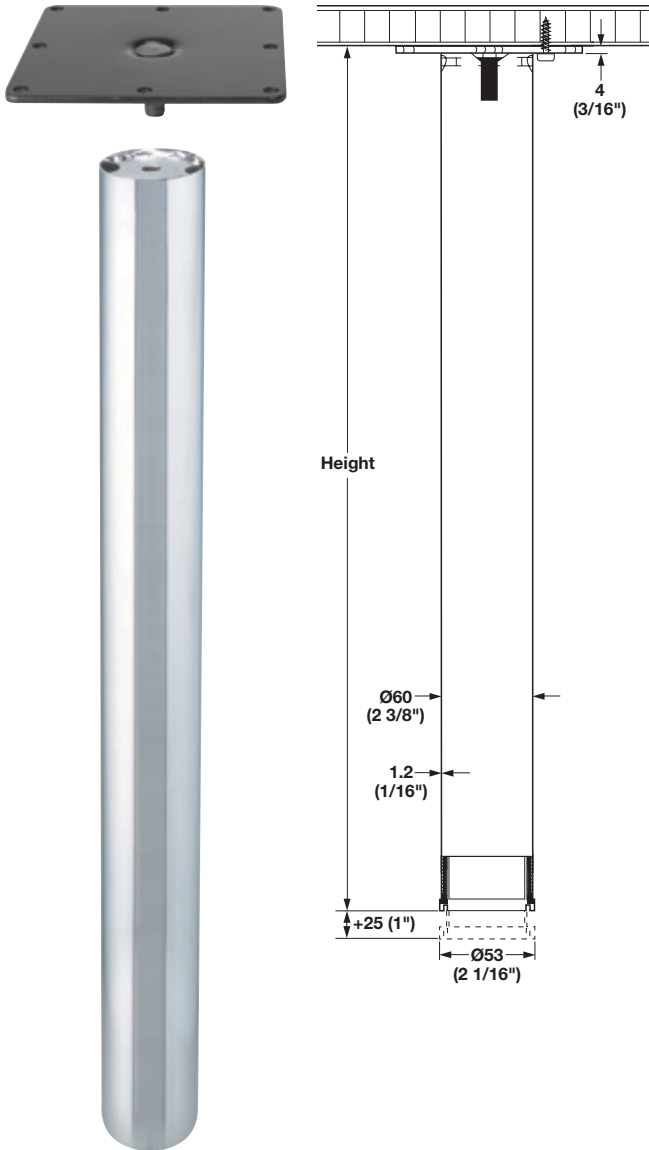
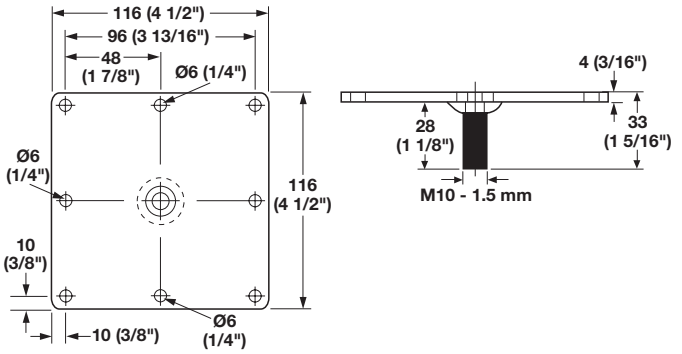


- Square mounting plate with M10 bolt, leg screws into mounting plate
 - Plastic levelers are pressed-in, they can be removed and pounded back in if legs need to be cut
- Available in two heights, 28" and 34 1/2"
 Adjustment range: +25 mm (1")
 Static weight rating: approximately 100 kg (220 lbs.) per leg



6



E-Leg Ø60 mm

Material: Legs: Steel, plated or epoxy-coated
 Leveler: Plastic; Color: black
 Mounting plate: Steel; Color: black

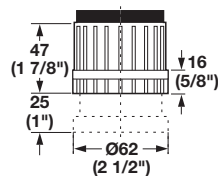
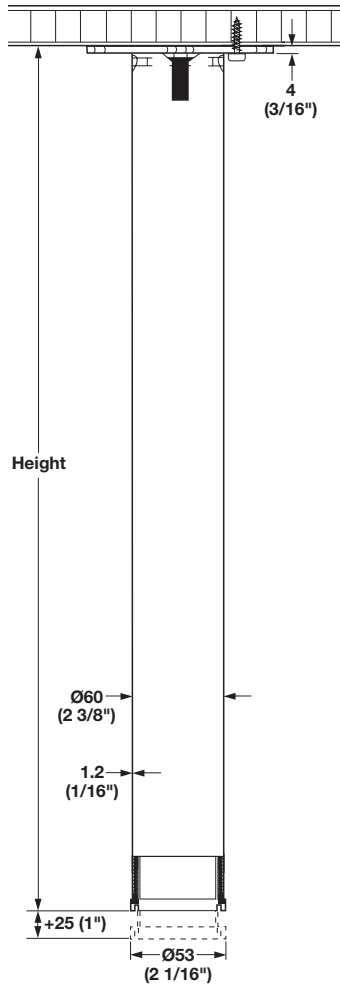
Height	Finish	Item No.
710 (28")	polished chrome	635.61.276
	black semi-gloss	635.61.376
	black textured	635.61.378
	satin nickel	635.61.476
	silver aluminum RAL 9006	635.61.977
876 (34 1/2")	polished chrome	635.61.295
	black semi-gloss	635.61.395
	black textured	635.61.397
	satin nickel	635.61.496
	silver aluminum RAL 9006	635.61.996

Supplied With

- 4 Legs
- 4 Mounting plates
- 4 Levelers
- Screws #9 x 1"

Note

Heights listed includes mounting plate and leveler.



Leveler Ø60 mm

- Press-fit
 - Offers + 1" of adjustment
- Compressed height is 5/8" when completely screwed down

Material: Plastic

Color	Item No.
black	635.06.008

Supplied With

- 4 Levelers