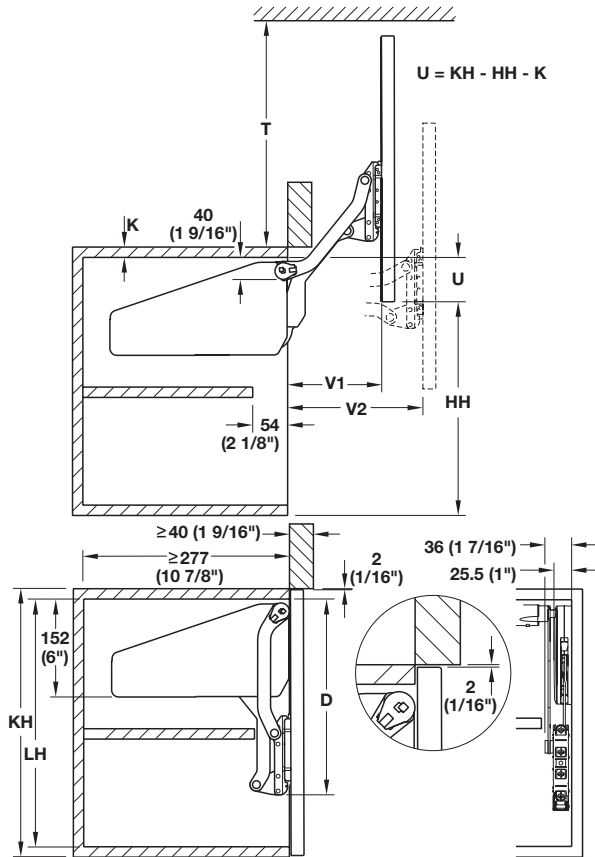
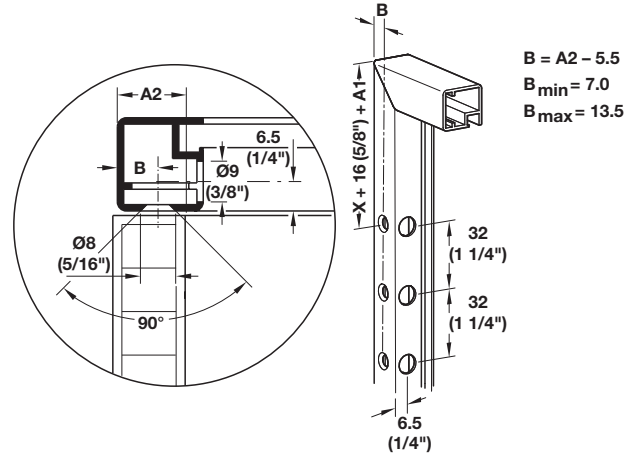


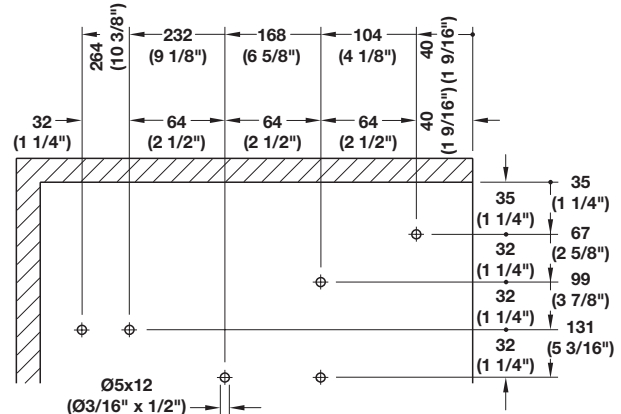
Free Up – Planning



Drilling pattern for adapter for doors with 20 mm aluminum frame.



Drilling pattern for cabinet

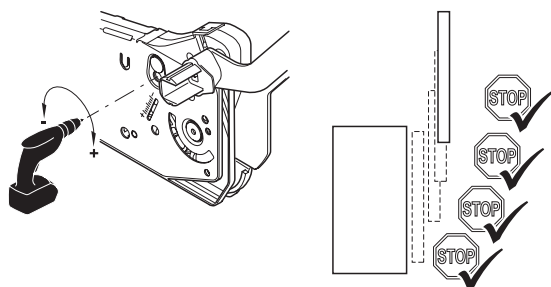


Sample measurement table for choosing the correct model.

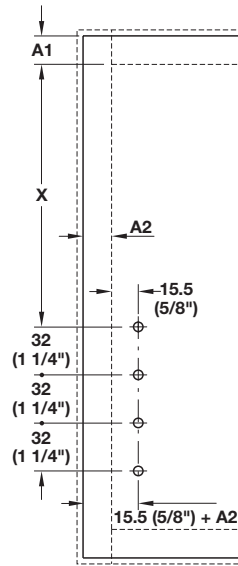
Cabinet height KH	X	D	LH	HH	T	V1	V2
320–360	157	274.5	>280	278	>281	128	177
345–420	185	302.5	>308	328	>333	146	205
380–500	220	337.5	>343	390	>393	168	240
430–600	265	382.5	>388	470	>473	196	284

Dimensional data not binding. We reserve the right to alter specifications without notice.

Power adjustment of fitting



Drilling pattern for front panel



Dimensions in mm
Inches are approximate