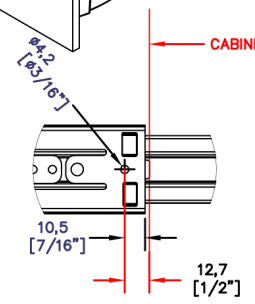
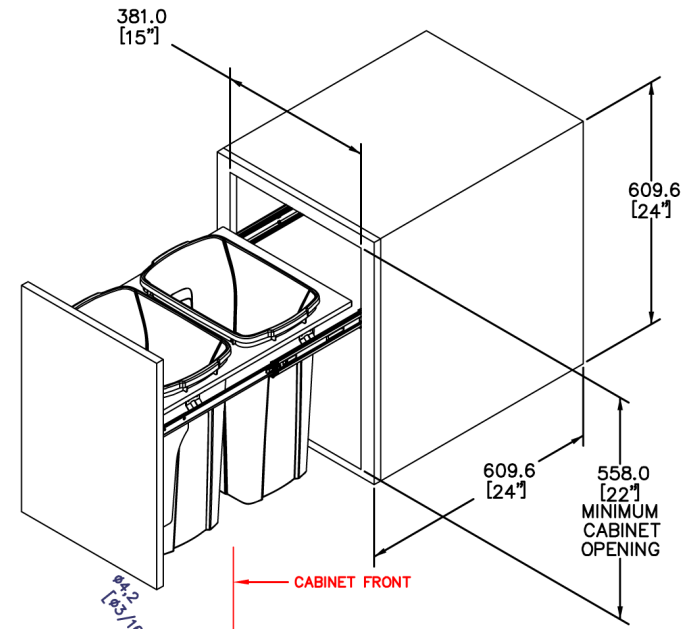
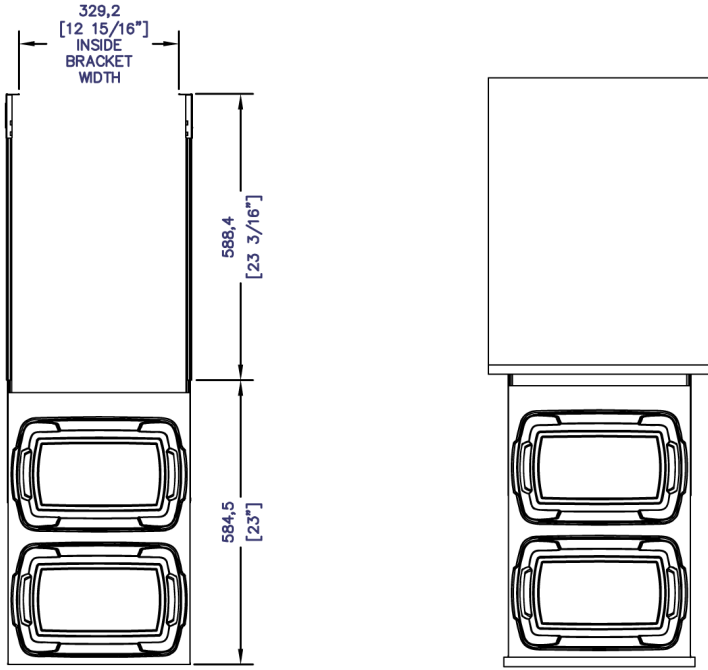
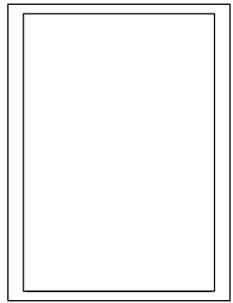
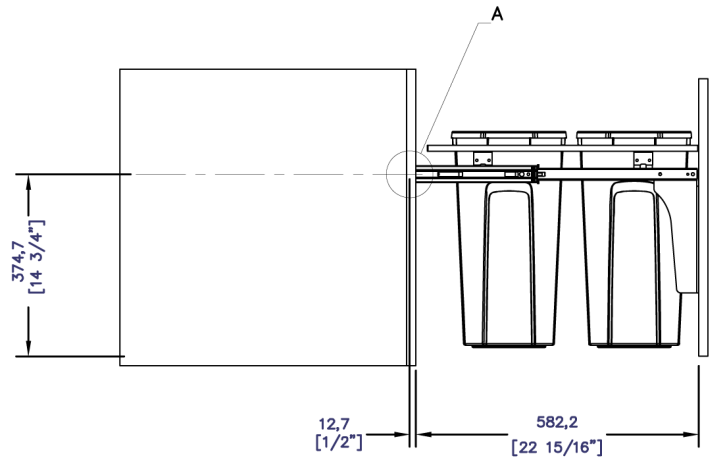


Item #	FINISH
503.12.746	White



DETAIL A  
 SCALE 1 : 4

TOLERANCE  
 UNLESS OTHERWISE  
 SPECIFIED  
 3 PL DEC ±005  
 2 PL DEC ±010  
 ANGLES 32°  
 DO NOT  
 SCALE DRAWING



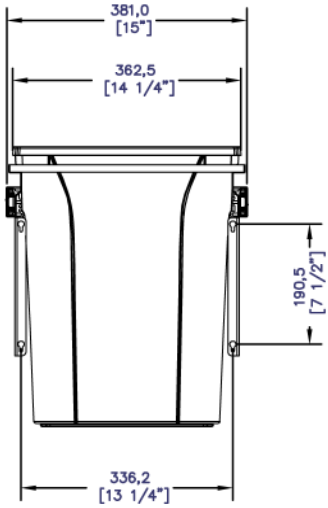
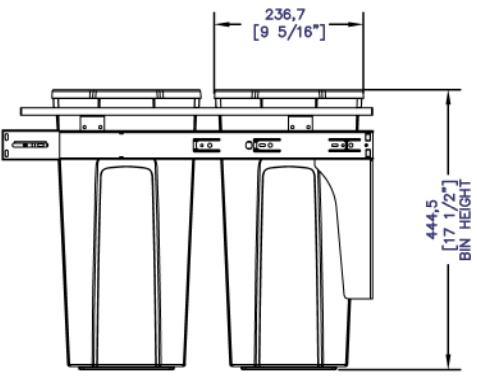
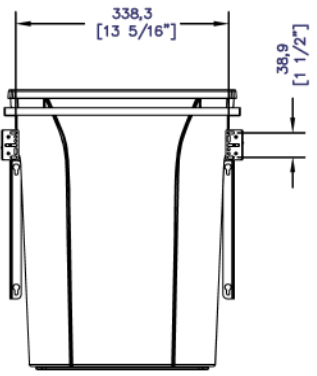
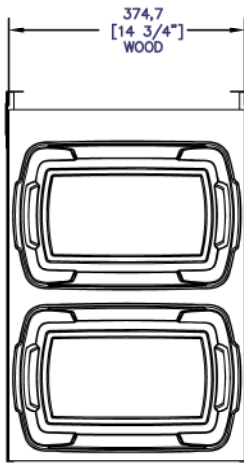
STATUS
00

Trash can double, side mount 35QT.	503.12.746
------------------------------------	------------

NOTICE  
 THIS DRAWING AND ALL INFORMATION THEREON IS THE PROPERTY OF:  
**HÄFELE**  
 THIS DRAWING AND INFORMATION THEREON IS CONFIDENTIAL.  
 MUST NOT MADE PUBLIC, COPIED OR USED TO DISADVANTAGE  
 OF SAID HÄFELE AMERICA CO. IT IS SUBJECT TO RETURN ON  
 DEMAND.  
 2010 HAFELE AMERICA, CO.

DATE:	09.27.2010	SPECIFICATION	See notes
SCALE:	1:16	MAT'L:	Steel, Cans-Plastic
DRAWN BY:	NPG	FINISH:	
PUM APPROVAL	DT	SHEET SIZE A	SHEET 1 OF 2

Item #	FINISH
503.12.746	White



STATUS
00

Trash can double, side mount 35QT.	503.12.746
------------------------------------	------------

NOTICE  
THIS DRAWING AND ALL INFORMATION THEREON IS THE PROPERTY OF:  
**HÄFELE**  
THIS DRAWING AND INFORMATION THEREON IS CONFIDENTIAL. MUST NOT MADE PUBLIC, COPIED OR USED TO DISADVANTAGE OF SAID HÄFELE AMERICA CO. IT IS SUBJECT TO RETURN ON DEMAND.  
2010 HÄFELE AMERICA, CO.

DATE:	09.27.2010	SPECIFICATION:	See notes
SCALE:	1:16	MAT'L:	Steel, Cans-Plastic
DRAWN BY:	NPG	FINISH:	
PUM APPROVAL:	DT	SHEET SIZE A	SHEET 2 OF 2