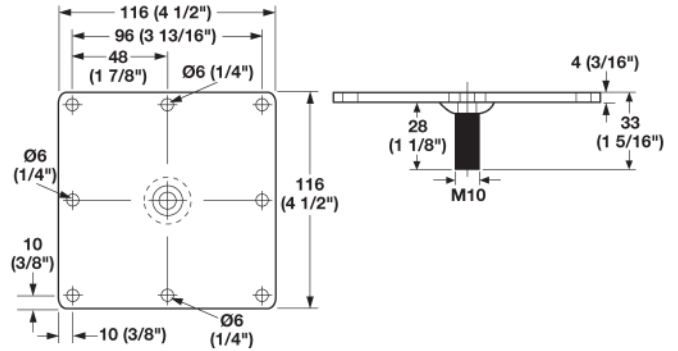
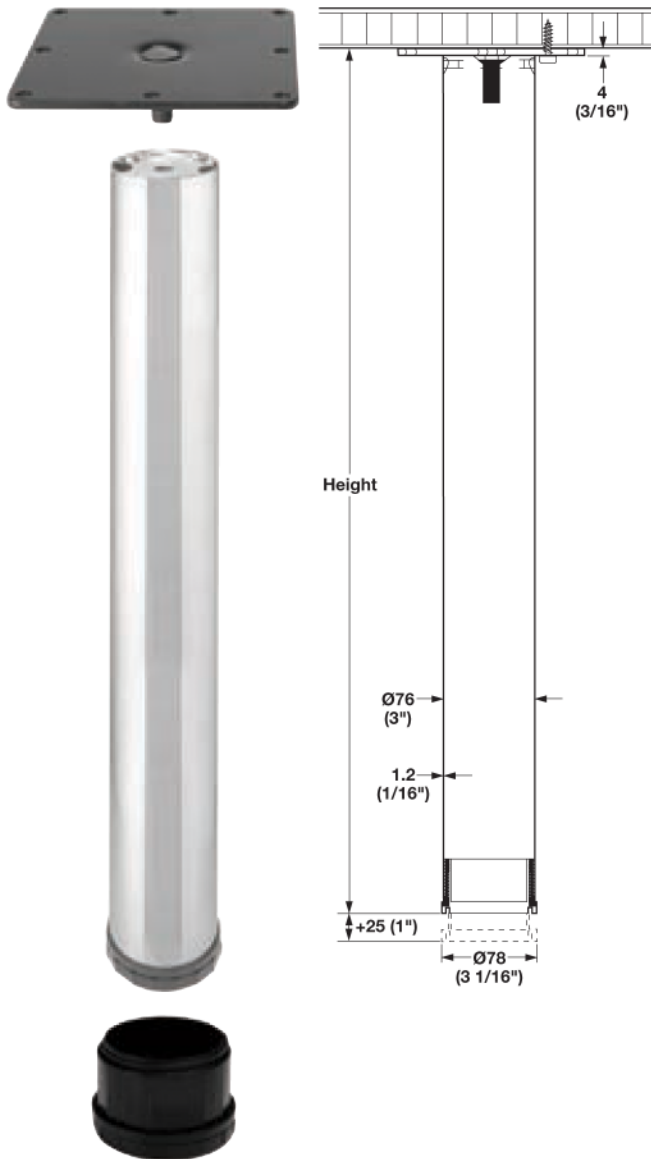


- Leg screws into steel square mounting plate with M10 bolt
- Static load rating: approximately 100 kg (220 lbs.) per leg
- Adjustment range: +25 mm (1")
- Plastic levelers are pressed-in, they can be removed and pounded back in if legs need to be cut



### E-Leg Ø76 mm

- With adjustable foot
  - Height includes mounting plate and leveler
  - With adjustable foot: +25 mm (1")
- Height: 710 mm (28")

Material: Legs: Steel, plated or epoxy-coated  
 Leveler: Plastic; Color: black  
 Mounting Plate: Steel; Color: black

Finish/Color	Item No.
polished chrome	635.53.271
black textured	635.53.372
satin nickel	635.53.471
silver aluminum RAL 9006	635.53.272

### Set Supplied With

- 4 legs
- 4 mounting plates
- Levelers
- Screws #9 x 1"

### Replacement Leveler Ø76 mm

- Press-fit
- When completely screwed down compressed height is 5/8"
- Offers +25 mm (1") of adjustment

Material: Plastic

Color	Item No.
black	635.06.010

### Set Supplied With

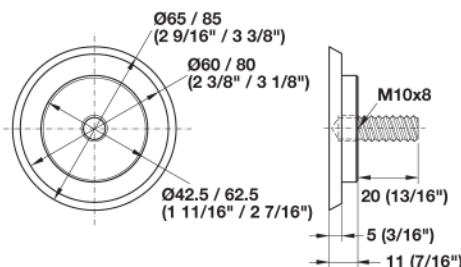
- 4 levelers

### Attachment Plate for Table Legs

- For UV Bonding

Material: Stainless steel, matt

Diameter	Item No.
65 (2 9/16")	635.06.052
85 (3 3/8")	635.07.052



6

Dimensions in mm  
Inches are approximate

FC **6.50**