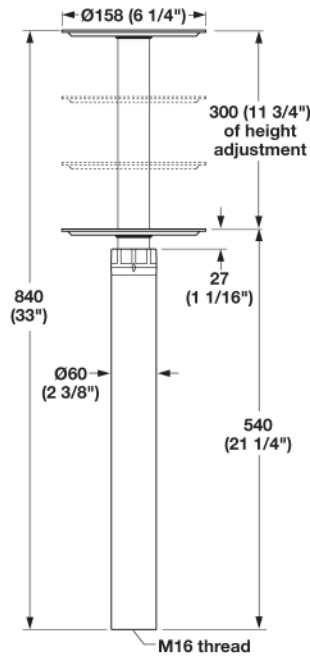


Adjustable – KOYO

- Operates on a step by step ratcheting system
- Consists of 15 settings, 20 mm (13/16") apart which equal a total adjustment range of 300 mm (11 3/4")
- When the leg reaches the highest setting, light force is applied slowly returning the leg to the lowest setting
- Load capacity exceeds 500 lbs. per leg
- Designed for small diameter tops, not to exceed Ø711 mm (28")
- Bolts directly to floor for speaking pedestals, boats, RVs, etc.



Note

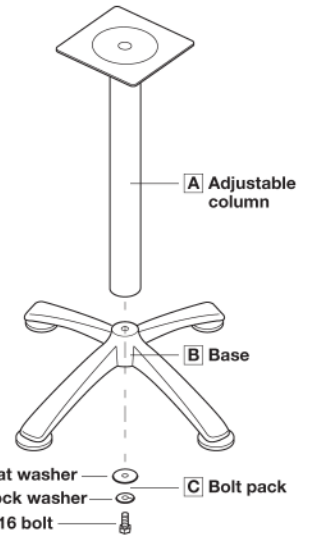
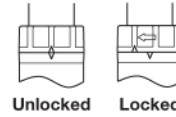
Please order components separately:

A Adjustable column

B Bases

C Bolt pack

Shown below with components completely assembled



A Adjustable Column

- Welded M16 nut in bottom of column allows for mounting of pedestal bases using bolt, lock washer, and flat washer (ordered separately)
- Includes internal anti-rotation mechanism
- Locking ring feature secures column in its adjusted setting when the pedestal is being moved

Material: Legs: Steel, plated or epoxy-coated
Mounting plate/inner column: Steel
Finish: chrome-plated

Finish/Color	Item No.
chrome polished	638.39.215
black textured	638.39.315

B Spider Base

- With adjustable feet

Material: Zinc die-cast, plated or epoxy-coated

Finish/Color	Item No.
chrome polished	638.39.230
black epoxy semi-gloss	638.39.330

C Bolt Pack

- M16 x 50 mm

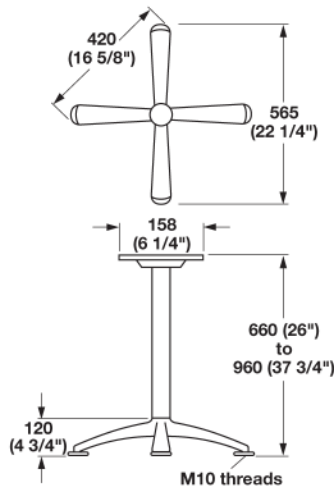
Material: Steel, galvanized

Item No.
630.00.001

Set Supplied With

- Bolt
- Lock
- Flat washer

6



Dimensions in mm
Inches are approximate

FC **6.62**