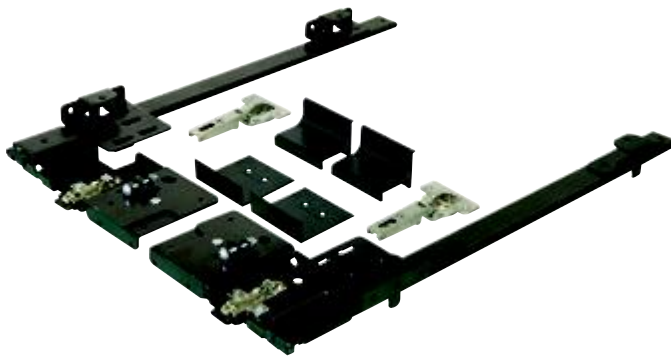


Accuride

- Maximum weight capacity: 13.6 kg (30 lbs.)
- Maximum vertical door sizes: 1067 mm (42") high
- Maximum overlay: 19 mm (3/4")
- Minimum door stile width of 64 mm (2 1/2") is required
- Horizontal doors maximum 42" width by 24" height
- Slide rollers run across the back of the doors allowing for the use of sculptured doors, applied moldings, or raised panels
- Auto open feature pushes cabinet doors open the final 32 mm (1 1/4")
- Hardwood is recommended for the follower (customer supplied)
- Follower length is the interior opening height minus 279 mm (11")
- Anti-sag adjustment feature allows for the vertical adjustment of the door, assuring smooth opening and closing



CB 1321 Pro Pocket™

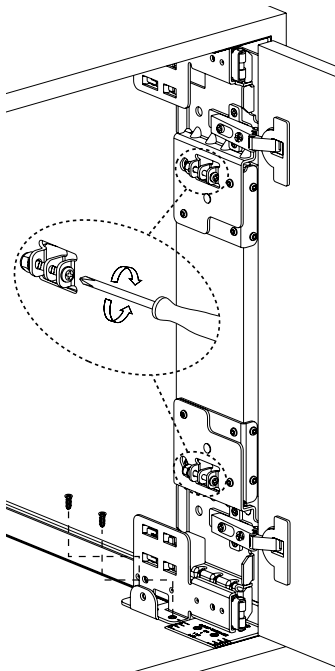
- With 40 mm hinges

Material: Steel; Finish: zinc; Color: black

Length	Travel	A	Item No.
16" (405)	11 3/8" (290)	8" (203)	408.34.341
18" (456)	13 3/8" (340)	10" (254)	408.34.346
20" (506)	15 3/8" (391)	12" (305)	408.34.351
22" (557)	17 3/8" (442)	14" (356)	408.34.356
24" (608)	19 3/8" (493)	16" (406)	408.34.361
26" (659)	21 3/8" (543)	18" (457)	408.34.366
28" (710)	23 3/8" (594)	20" (508)	408.34.371

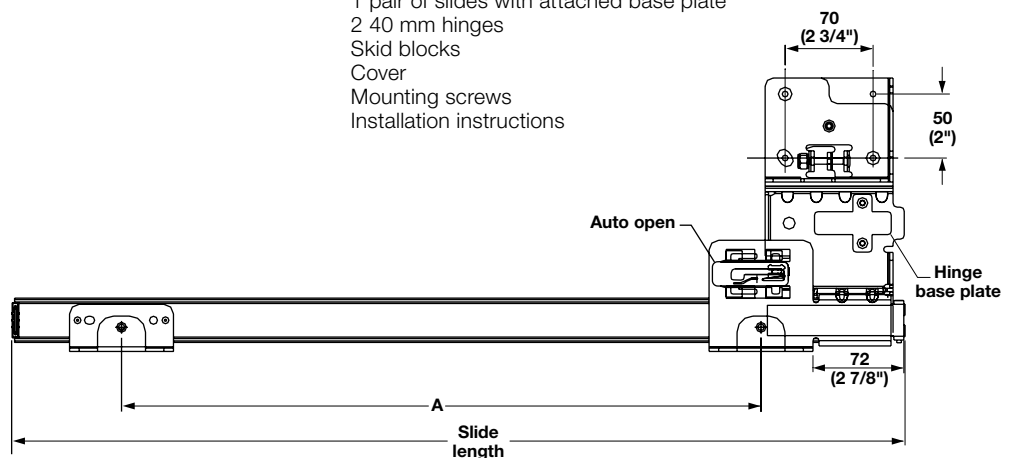
Supplied With

- 1 pair of slides with attached base plate
- 2 40 mm hinges
- Skid blocks
- Cover
- Mounting screws
- Installation instructions

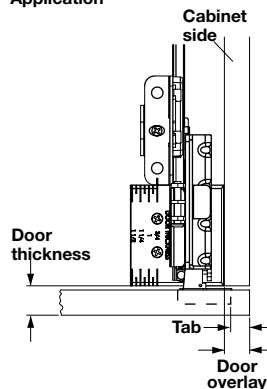


Anti-sag Adjustment

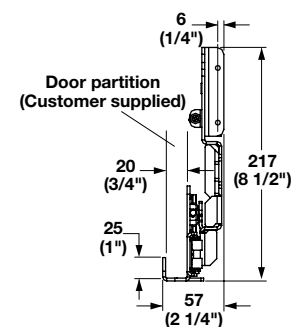
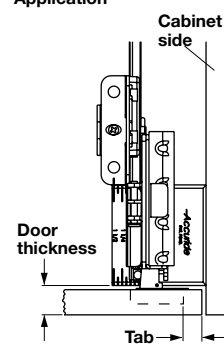
Door thickness	Maximum overlay amount
3/4"	3/4"
7/8"	5/8"
1"	1/2"
1 1/4"	1/4"
1 1/2"	Inset



Overlay Application



Inset Application



Dimensional data not binding. We reserve the right to alter specifications without notice.