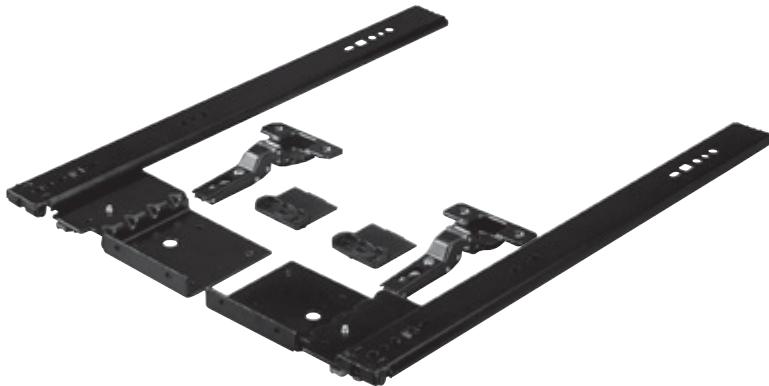
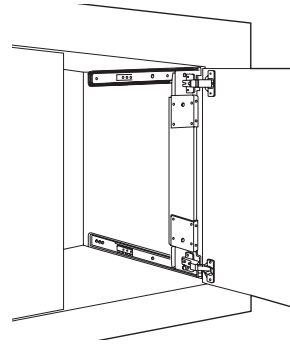
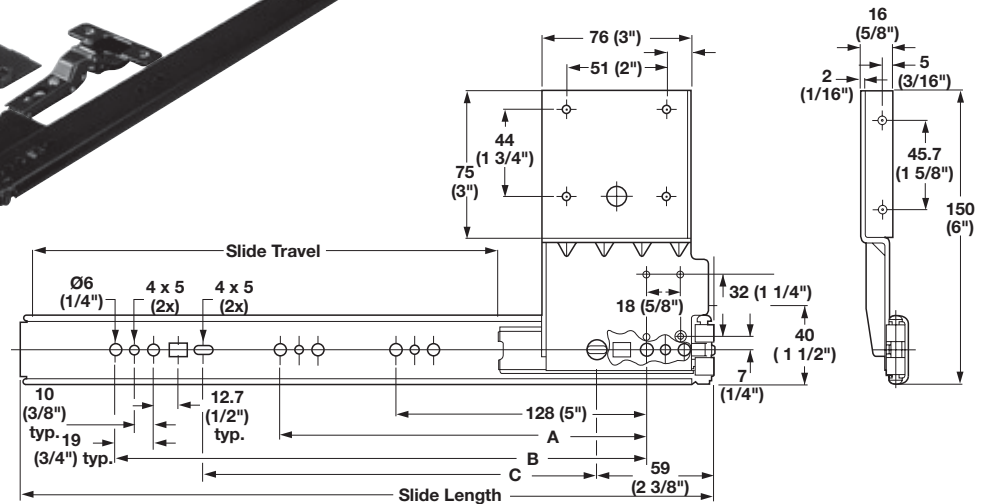


Accuride

- Maximum weight capacity: 13.6 kg (30 lbs.)
 Minimum door thickness: 5/8"
 Maximum door thickness: 1 1/4"
- Vertical doors maximum 42" height by 24" width
 - Horizontal doors maximum 42" width by 24" height
 - Wood follower strip is provided by the customer
 - Cut follower strip is 6" shorter than door height
 - Maximum thickness for follower strip is 19 mm (3/4")
 - For concealed doors in entertainment centers, wall units, and cabinets
 - Detent out



7



123/1234

Material: Steel; Finish: zinc; Color: black

Length	Travel	A	B	C	123 – with 35 mm hinges	1234 – hinges not included
12" (303)	7 3/8" (188)	–	8 7/8" (224)	6" (154)	408.36.331	408.35.332
14" (354)	9 3/8" (239)	–	8 7/8" (224)	6" (154)	408.36.336	408.35.337
16" (405)	11 3/8" (290)	–	12 5/8" (320)	9 7/8" (250)	408.36.341	408.35.342
18" (456)	13 3/8" (340)	–	13 7/8" (352)	11 1/8" (282)	408.36.346	408.35.347
20" (506)	15 3/8" (391)	–	16 3/8" (416)	13 5/8" (346)	408.36.351	408.35.352
22" (557)	17 3/8" (442)	13 7/8" (352)	18 7/8" (480)	16 1/8" (410)	408.36.356	408.35.357
24" (608)	19 3/8" (493)	13 7/8" (352)	18 7/8" (480)	16 1/8" (410)	408.36.361	408.35.362
26" (659)	21 3/8" (543)	13 7/8" (352)	21 1/2" (544)	18 5/8" (474)	408.36.366	408.35.367
28" (710)	23 3/8" (594)	13 7/8" (352)	24" (608)	21 3/16" (538)	408.36.371	408.35.372

123 Supplied With

- Hinge kit
- 2 Slides
- 2 Pivot blocks
- Mounting hardware

1234 Supplied With

- 2 Slides
- 2 Pivot blocks
- Mounting hardware