

Zipbolt Dogbone – UT

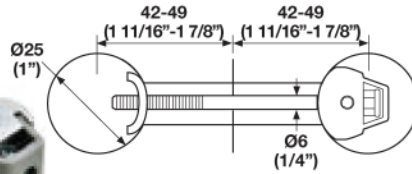
- Improved to now accept a standard 4 mm hex bit (see below)
- Dogbone – UT Zipbolt suits edgetec (or similar) profile machining details cut-out
- Eliminate the need for surface mounted worktop joining strips

Material: Steel; Clamps: Zinc & Plastic

| |
|------------|
| Item No. |
| 262.96.945 |

Note

Requires 4 mm hex driver



Zipbolt Mini – UT

Material: Steel; Clamps: Zinc & Plastic

| |
|------------|
| Item No. |
| 262.96.946 |

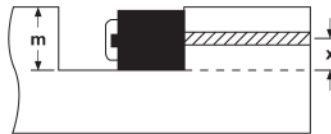
Note

Requires 4 mm hex driver



Shaft Center Calculation

Shaft center (x)
= Depth of bore (m) minus 6.5 mm (m)
= Min. bore depth: 13 mm

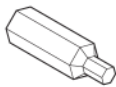


Hex Key, 4 mm

- With hexagon socket head

Material: Steel

| | |
|-------|------------|
| Color | Item No. |
| black | 008.28.044 |



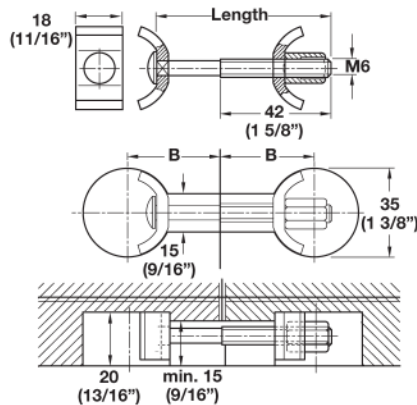
Hex Socket Bit

- 4 mm

Material: Hardened Tool Steel

| |
|------------|
| Item No. |
| 006.37.945 |

Packing: 10 pcs.



Recessed Worktop Connectors

- Allow work surfaces to be connected rapidly and securely
- The semi-circular fastening elements are pressed against the recess walls as tension is applied

Material: Steel; Finish: Zinc-plated

| Length | Drilling Distance B | Item No. |
|--------------|--|------------|
| 65 (2 9/16") | from 32 to 41 (1 1/4" to 1 5/8") | 262.96.211 |
| 150 (5 7/8") | from 75 to 84 (2 15/16" to 3 5/16") | 262.96.220 |

Zipbolt Mini – UT

- Easily installed and quickly assembled for material from 16 mm (5/8")
- Provides even pressure between the surface joint pieces without glue
- The joint can be disassembled if necessary
Length: 89 mm (3 1/2")

Material: Steel

| | |
|-------------|------------|
| Finish | Item No. |
| zinc-plated | 262.93.952 |

