

# 88 5100 Buffet with Doors and Drawers

## IMPORTANT NOTE

Carefully remove all the parts from the carton and put them individually on a soft cloth to prevent scratches or other damages occurring to the wood parts.

We have taken great care in the design of this product and request that you carefully and strictly follow our assembly instructions to ensure a completed product as it was designed.

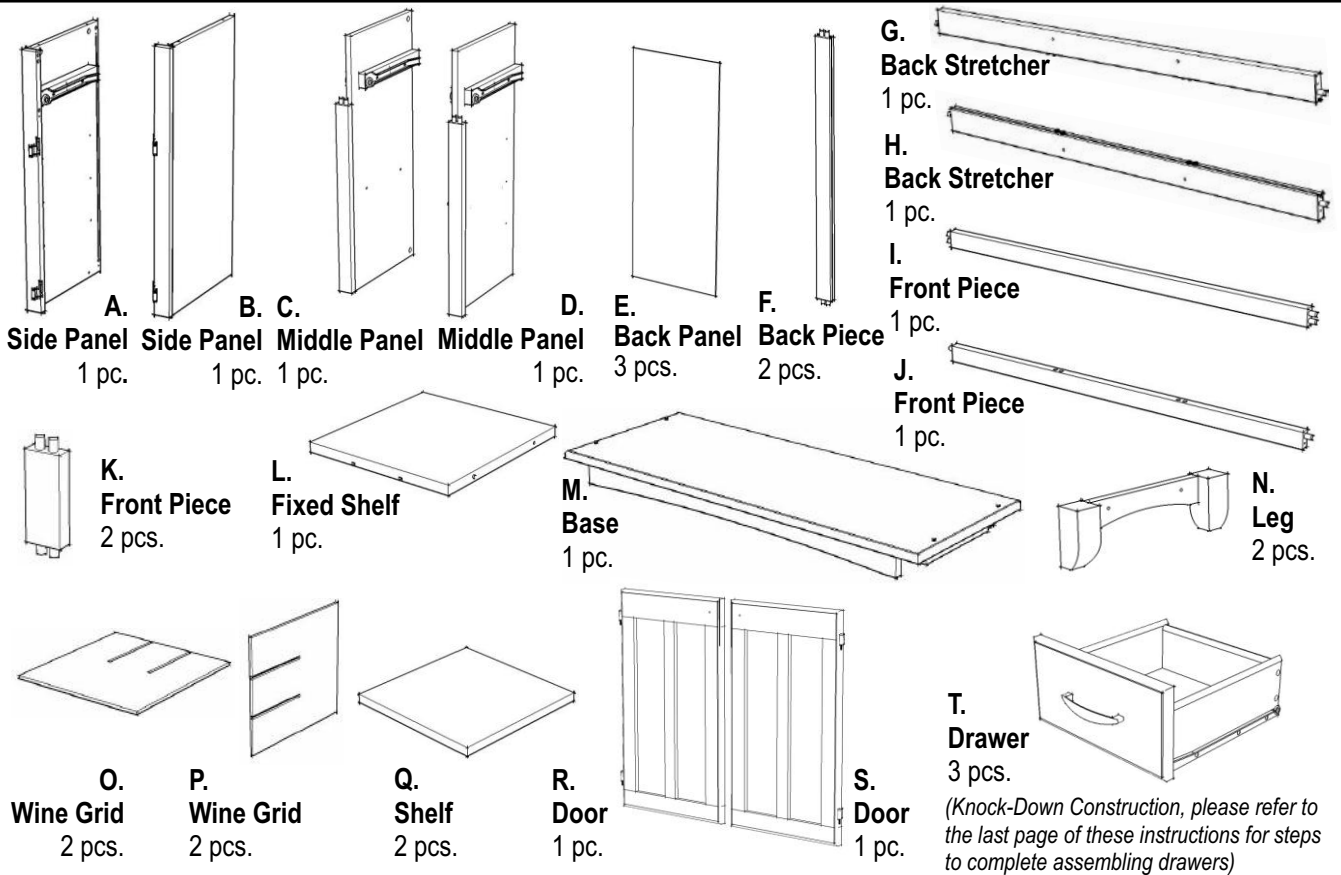


Casual Attire For Today's Home



Thai Patent Pending Numbers 0602000975

## Buffet Unit Part List



## Hardware List



**Tools Required For Assembly :** Phillips screwdriver

## Assembly Instructions 2/5

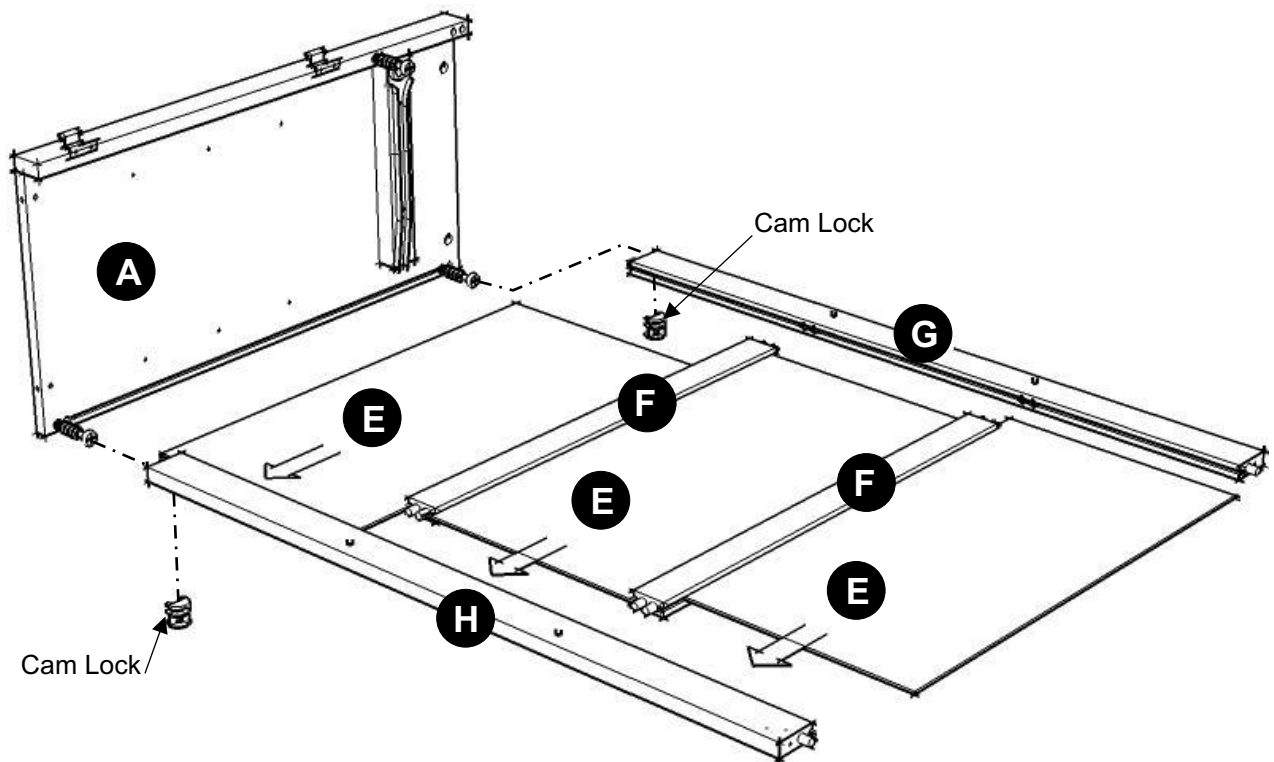
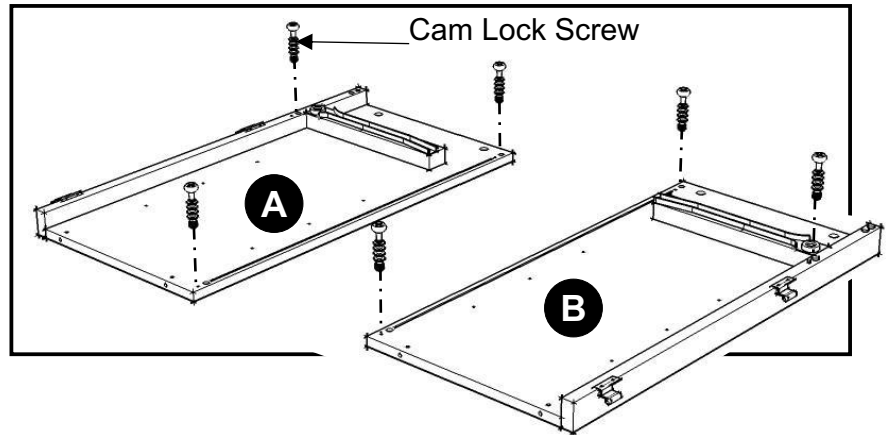
### IMPORTANT

Do not tighten up all the screws until each part is properly assembled.

You should keep Hex Wrench in the safe place as you may need to tighten up the Head Cap Bolts in the future.

### STEP 1

Put Cam Lock Screws into the pre-drilled holes of Side Panel (A) and (B), and tighten up.



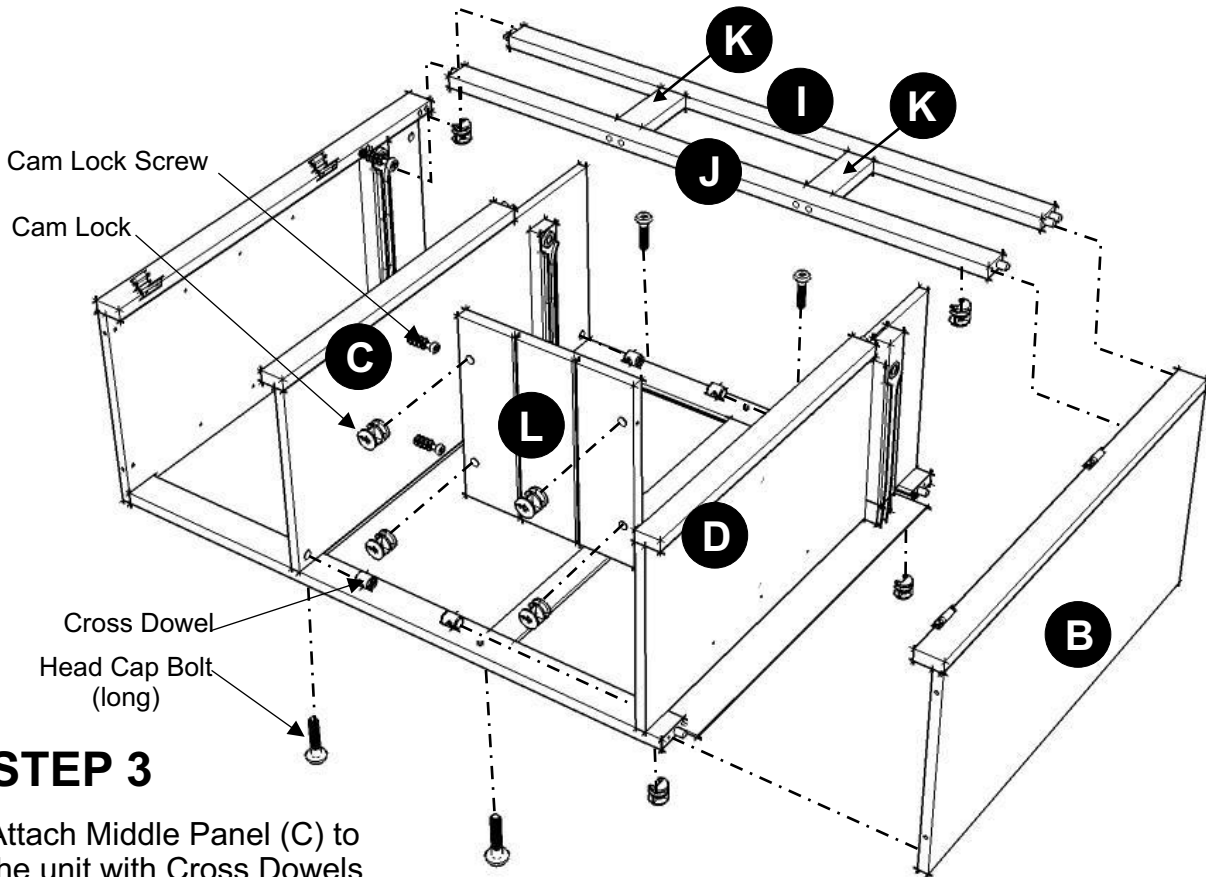
### STEP 2

Attach Back Stretcher (H) to Side Panel (A) with Cam Lock.

Attach Back Piece (F) to Back Stretcher (H) and slide Back Panel (E) into place.

Attach Back Stretcher (G) to the unit with Cam Locks.

## Assembly Instructions 3/5



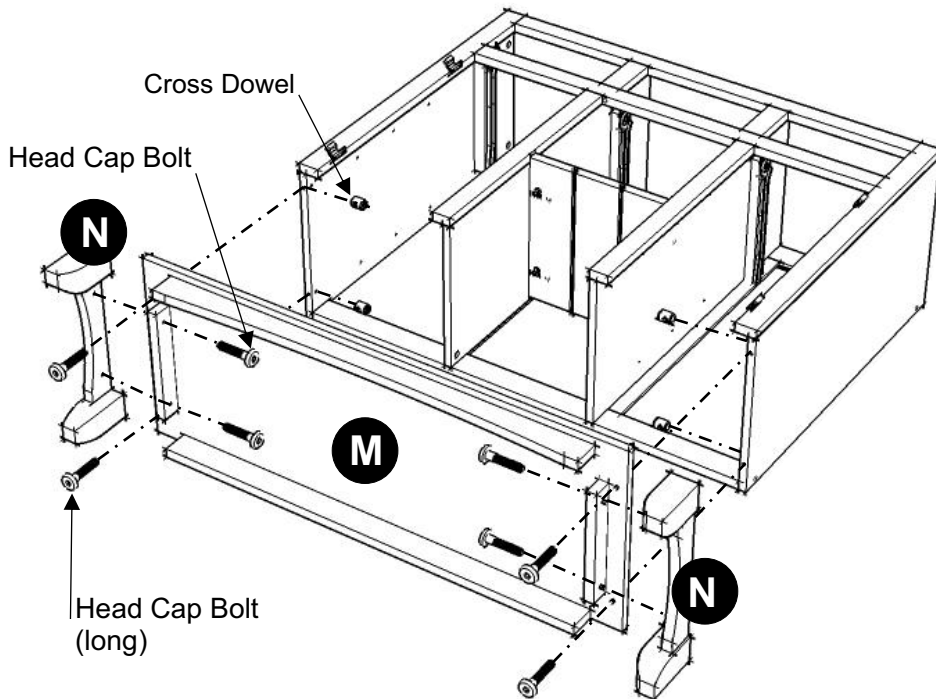
### STEP 3

Attach Middle Panel (C) to the unit with Cross Dowels and Head Cap Bolts (long).

Attach Fixed Shelf (L) and Middle Panel (D) to the unit, using Cam Lock Screws, Cam Locks, Cross Dowels and Head Cap Bolts.

Assemble Front Piece (I), (J) and (K), then attach it to the unit with Cam Lock.

Attach Side Panel (B) to the unit with Cam Locks.



### STEP 4

Attach Base (M) to the unit with Cross Dowels and Head Cap Bolts (long).

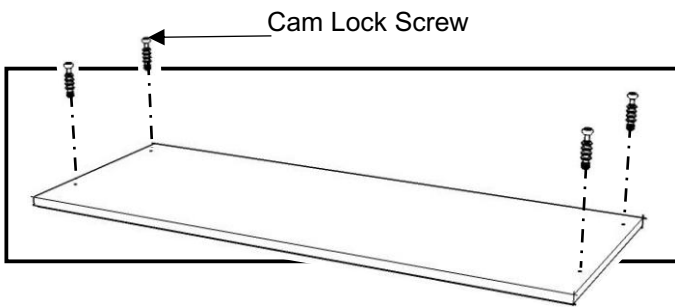
Attach Leg (N) to Base (M) with Head Cap Bolts.

# Assembly Instructions 4/5

## STEP 5

Now, you'll be able to create your own Buffet and Hutch. Make your own choice of the 'Top', wood or stainless steel.

Put the Cam Lock Screw into the pre-drilled holes at Top.



## STEP 6

Turn the unit back to its normal position.

Place Top onto the unit, using Cam Locks.

Assemble Wine Grid (O) and (P).  
(See figure 1)

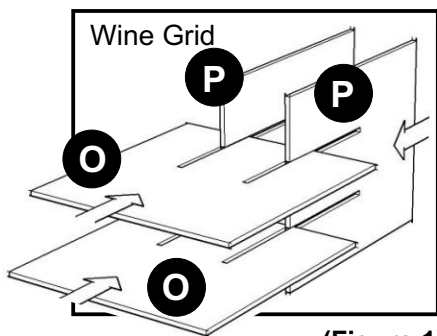
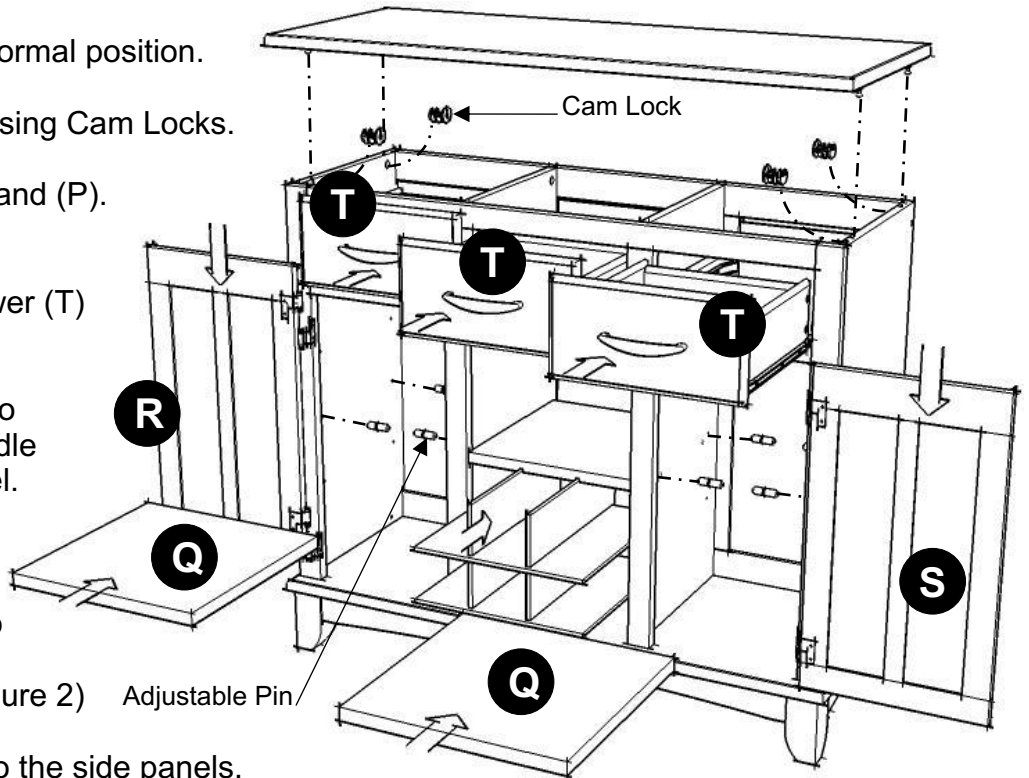
Slide Wine Grid and Drawer (T) into place.

Insert Adjustable Pins into both side panels and middle panels at the desired level.

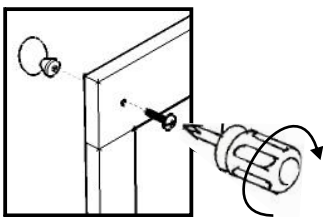
Slide Shelf (Q) into place.

Assemble Pull Handles to Door (R) and (S) with Machine Screws. (See figure 2)

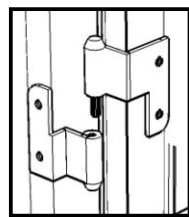
Attach Door (R) and (S) to the side panels, slide the door lift hinges into the side panel lift hinges. (See figure 3)



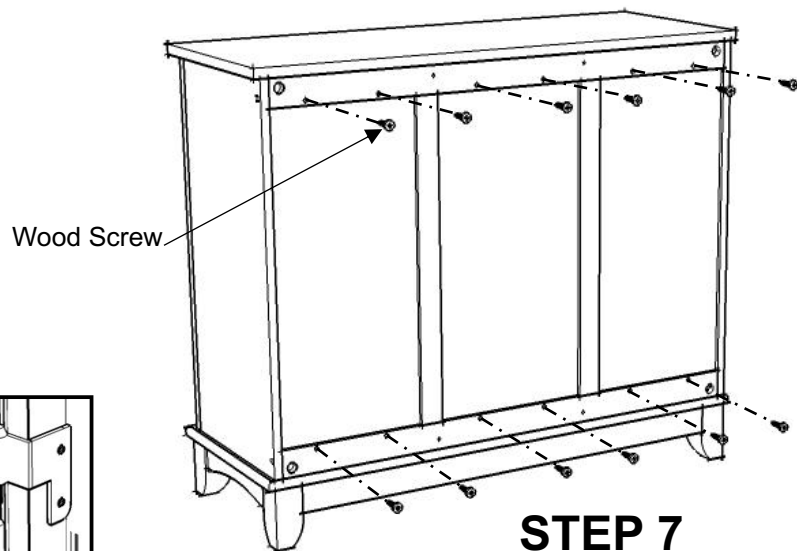
(Figure 1)



(Figure 2)



(Figure 3)

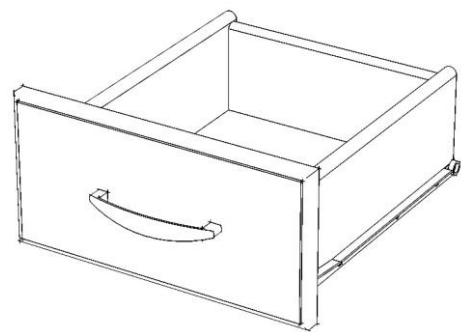
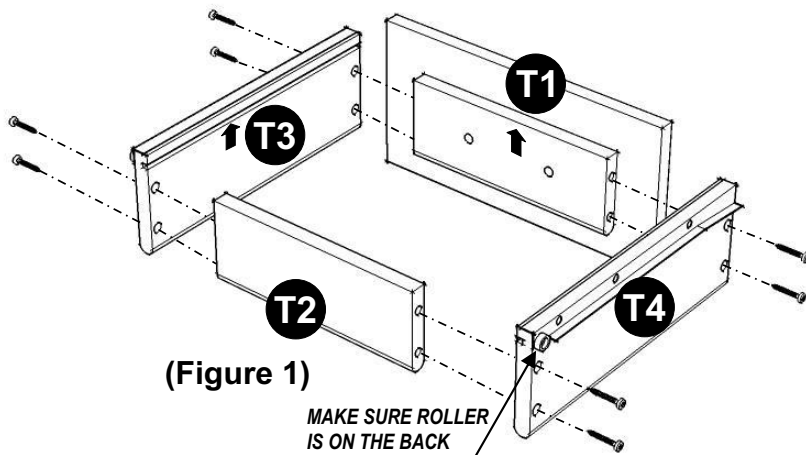


## STEP 7

Insert Wood Screws from the back and tighten up.

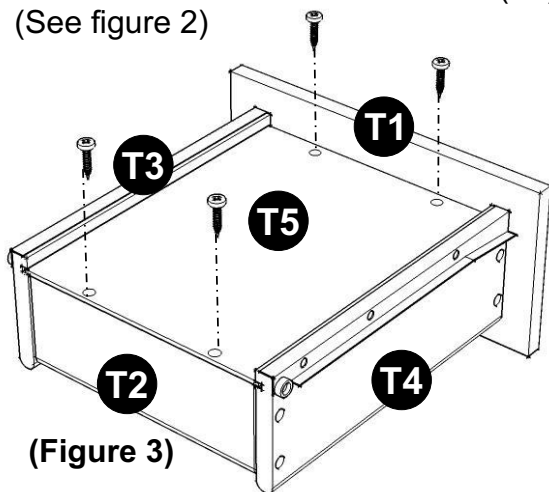
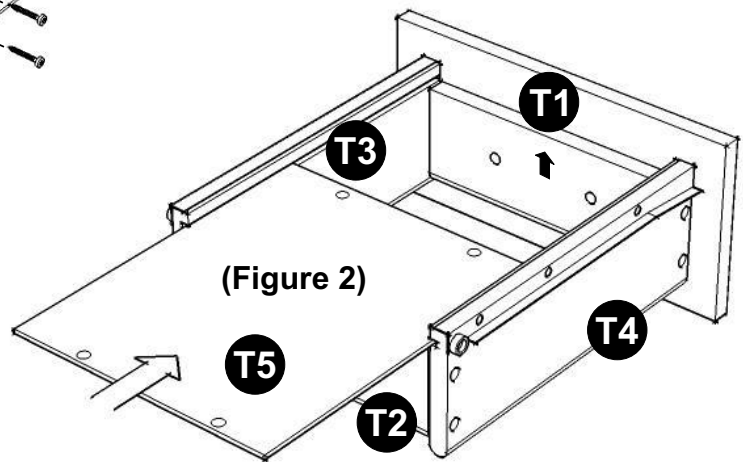
# Assembly Instructions 5/5

## Drawer

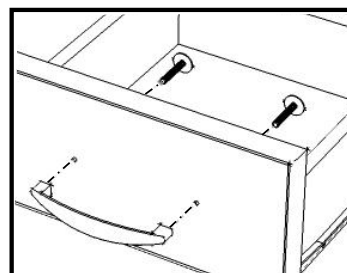


Using a philips screwdriver, insert 1" screws into the pre-drilled holes as shown, tighten half way. (See figure 1)

Slide the Plywood Base Part (T5) into the grooves on Side Parts (T3) and (T4). Be sure to push the plywood all the way forward so it meets the Front Part (T1). (See figure 2)

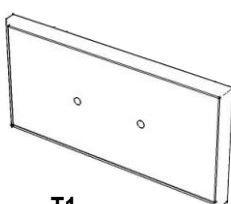


Insert the remaining 1/2" screws into the pre-drilled holes on Base Part (T5), then tighten all screws. (See figure 3)

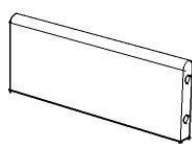


\* If you are missing any of these parts, please contact our DMI Customer Service Department at 1-877-831-0319 or fax us at 1-800-755-2878.

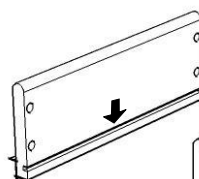
## Part List



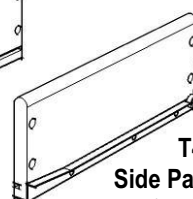
**T1.**  
Front Part  
3 pcs.



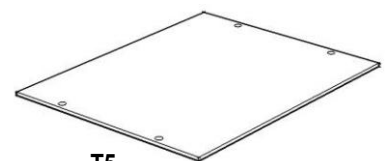
**T2.**  
Back Part  
3 pcs.



**T3.**  
Side Part  
3 pcs.



**T4.**  
Side Part  
3 pcs.



**T5.**  
Base Part  
3 pcs.