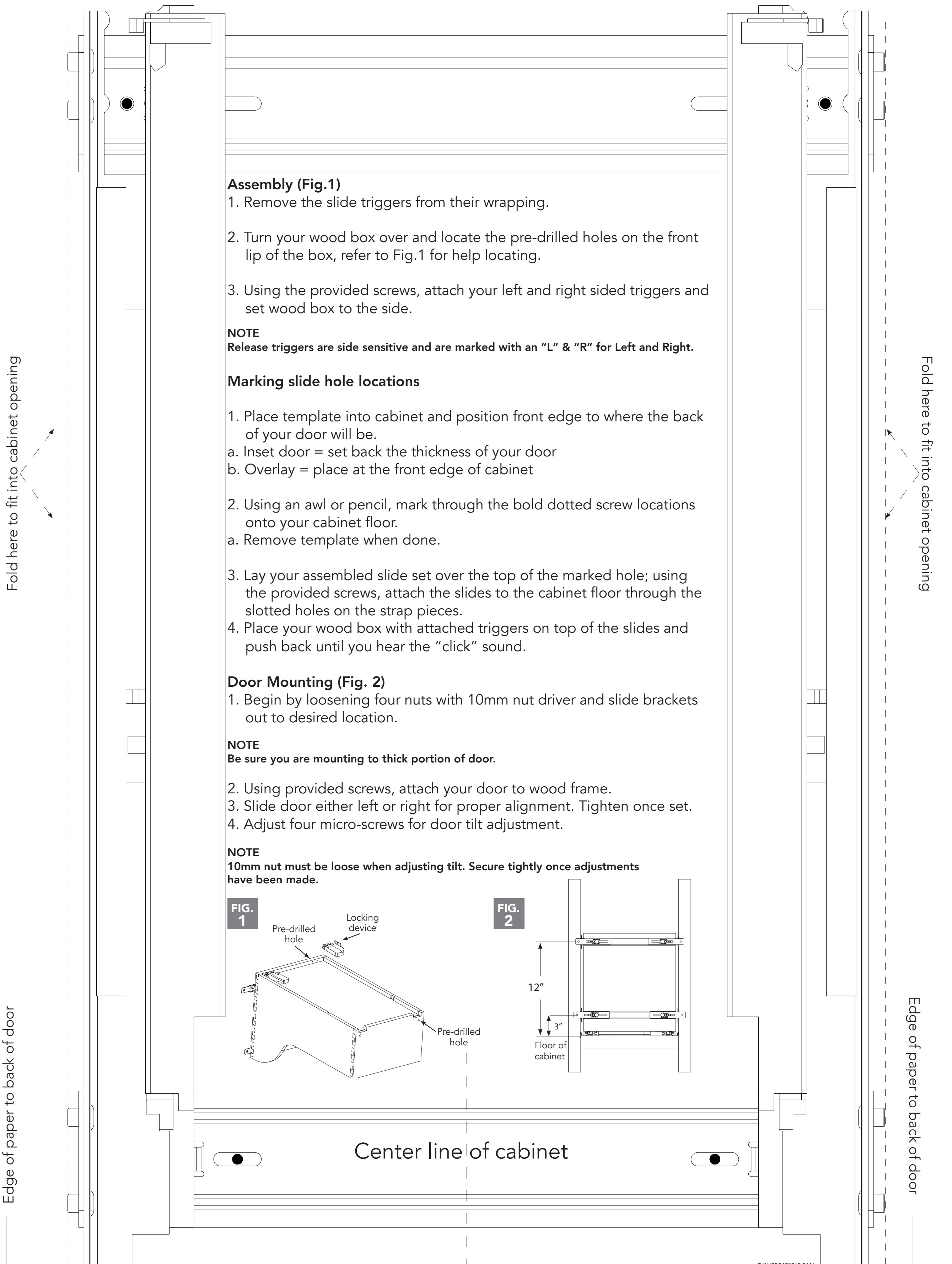




BLUM REDUCED DEPTH SINGLE 35 QT WASTE CONTAINER



Assembly (Fig.1)

1. Remove the slide triggers from their wrapping.
2. Turn your wood box over and locate the pre-drilled holes on the front lip of the box, refer to Fig.1 for help locating.
3. Using the provided screws, attach your left and right sided triggers and set wood box to the side.

NOTE

Release triggers are side sensitive and are marked with an "L" & "R" for Left and Right.

Marking slide hole locations

1. Place template into cabinet and position front edge to where the back of your door will be.
 - a. Inset door = set back the thickness of your door
 - b. Overlay = place at the front edge of cabinet
2. Using an awl or pencil, mark through the bold dotted screw locations onto your cabinet floor.
 - a. Remove template when done.
3. Lay your assembled slide set over the top of the marked hole; using the provided screws, attach the slides to the cabinet floor through the slotted holes on the strap pieces.
4. Place your wood box with attached triggers on top of the slides and push back until you hear the "click" sound.

Door Mounting (Fig. 2)

1. Begin by loosening four nuts with 10mm nut driver and slide brackets out to desired location.

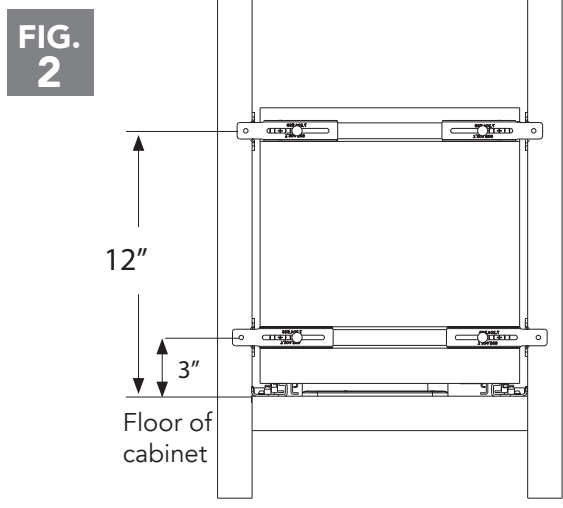
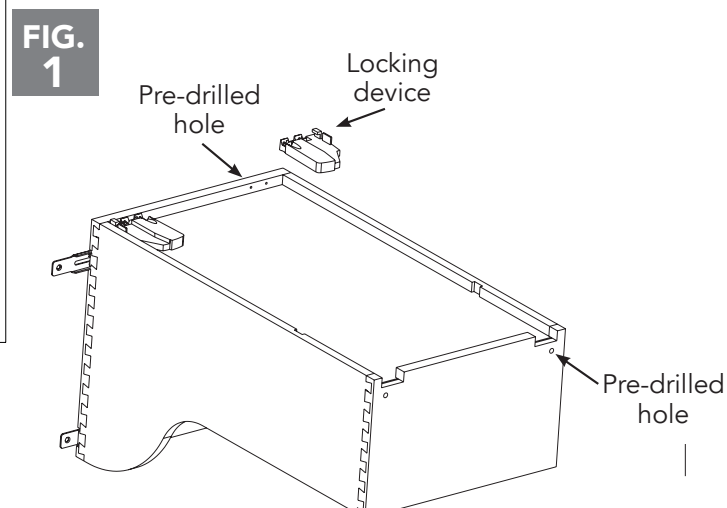
NOTE

Be sure you are mounting to thick portion of door.

2. Using provided screws, attach your door to wood frame.
3. Slide door either left or right for proper alignment. Tighten once set.
4. Adjust four micro-screws for door tilt adjustment.

NOTE

10mm nut must be loose when adjusting tilt. Secure tightly once adjustments have been made.



Center line of cabinet