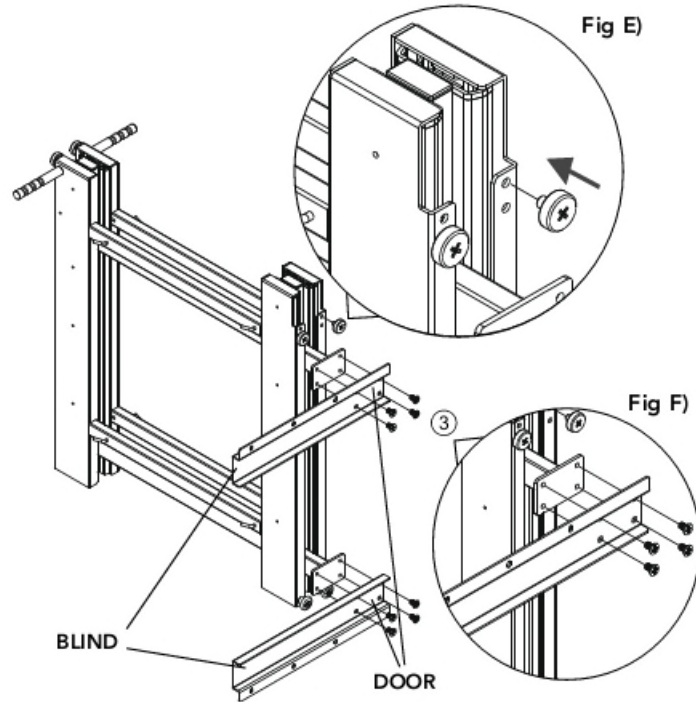


STEP 4

Adjust front wheel position for right hand opening. (Fig E)

Attach feet (C) using screw (3) (Fig F)



STEP 5

Secure the feet (C) to the base (A) using screw (4) (Fig G)



Fig G)

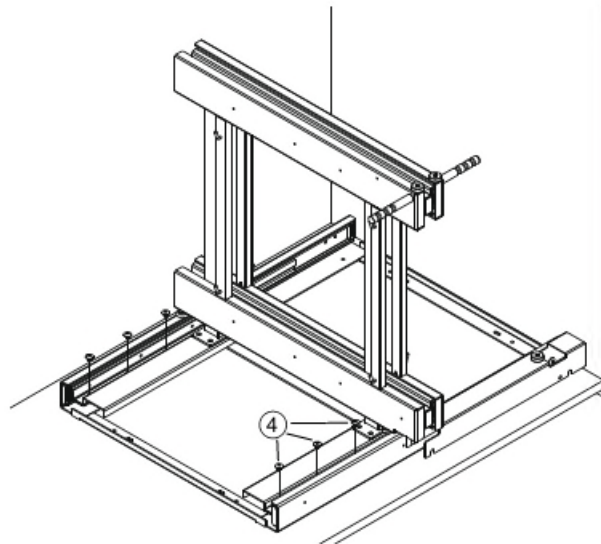


Fig H1)

Attach Hooks (Orion Gray):

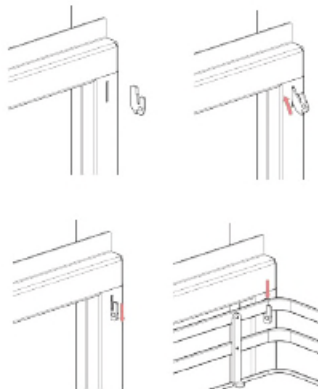
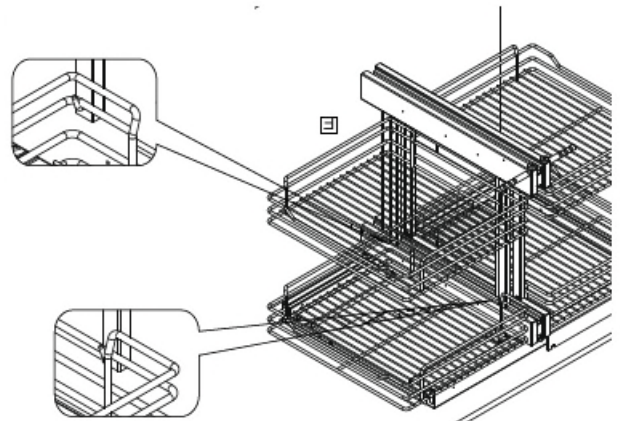


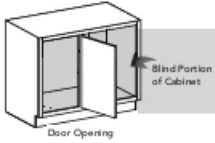
Fig H2)



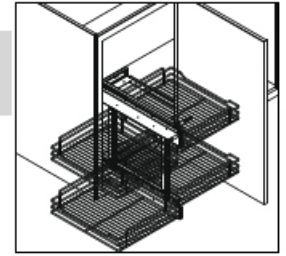
STEP 6

Attach hooks (Orion Gray version only) (Fig H1) and hang the baskets as shown. (Fig H2)

NOTE: Baskets show in forward position. They can be moved to the rearward position for additional clearance. Bottom basket must hang from the 2nd wire from the top.



5PSP-18 (LEFT HANDED DOOR/18" OPENING)



STEP 1

Mount Base (Fig A)

Note: If installing into a face frame cabinet, Slide Base A must be flush with the face frame opening.

Fig A)

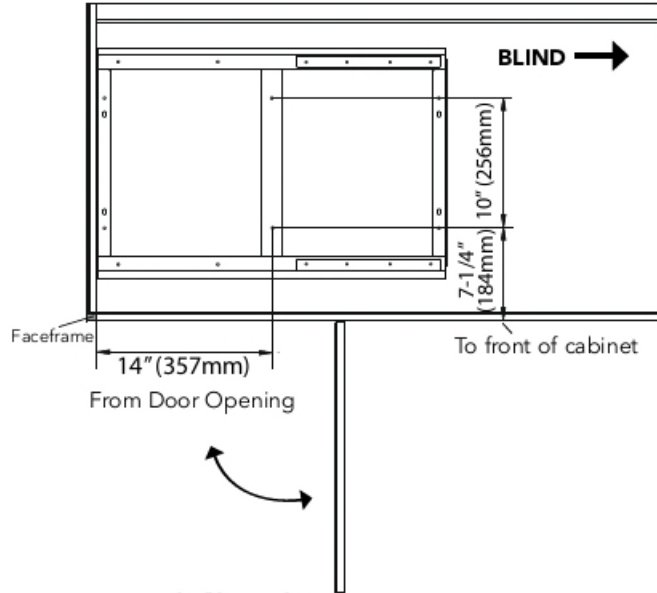
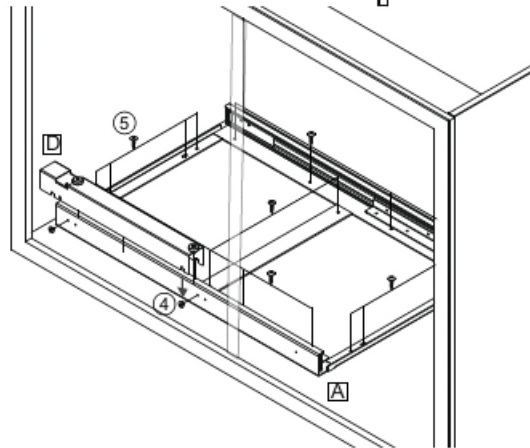


Fig B)



STEP 2

Attach the base (A) with slide channel (d) to floor of cabinet. (Fig B)

NOTE: Pre-starting the mounting screws (4) is recommended



STEP 3

Attach Handles.

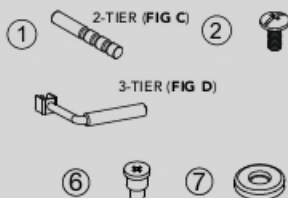


Fig C)

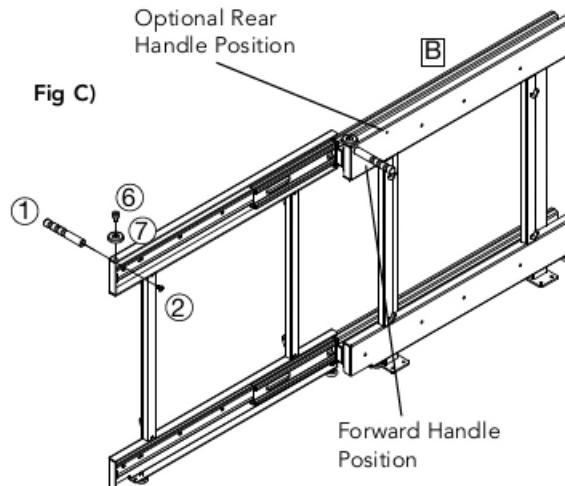
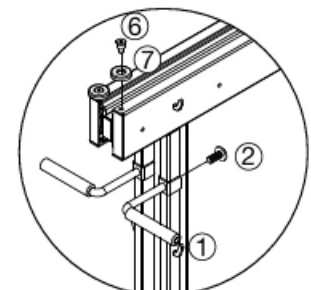


Fig D)



3-Tier Handle Position

STEP 4

Adjust front wheel position for left hand opening. (Fig E)

Attach feet (C) using screw (3) (Fig F)



Fig E)

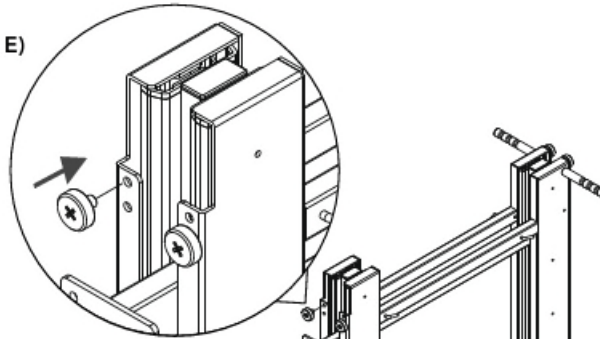
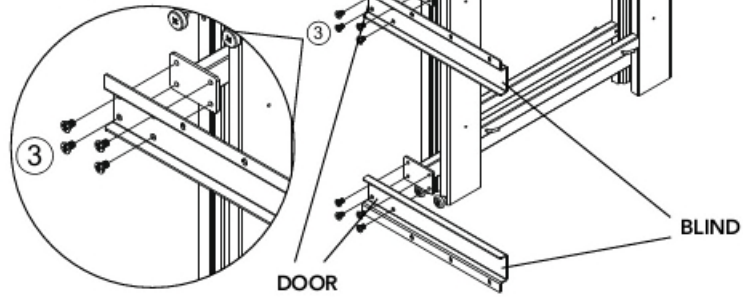


Fig F)



STEP 5

Secure the feet (C) to the base (A) using screw (4) (Fig G)



Fig G)

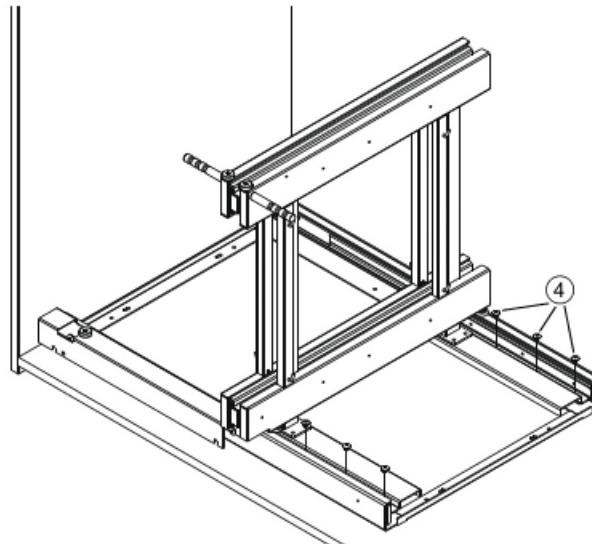


Fig H1)

Attach Hooks (Orion Gray):

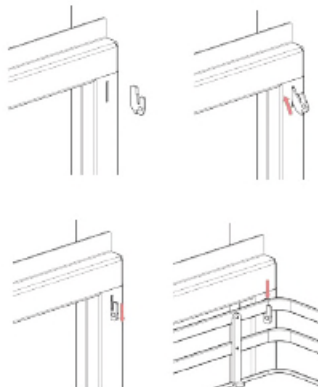
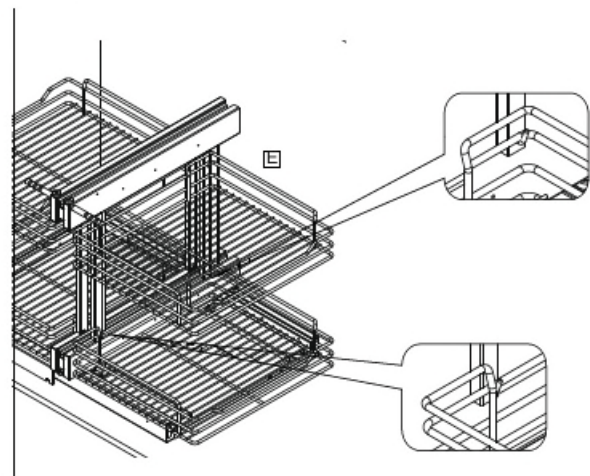


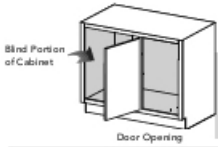
Fig H2)



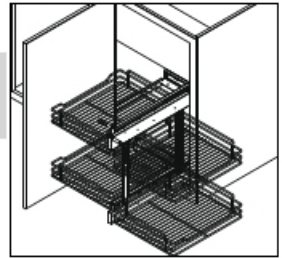
STEP 6

Attach hooks (Orion Gray version only) (Fig H1) and hang the baskets as shown. (Fig H2)

NOTE: Baskets show in forward position. They can be moved to the rearward position for additional clearance. Bottom basket must hang from the 2nd wire from the top.



5PSP-18 (RIGHT HANDED DOOR/18" OPENING)

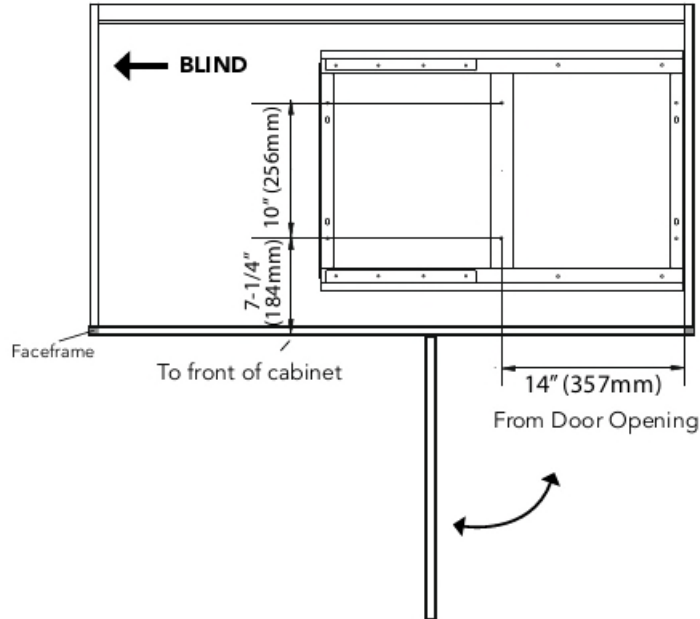


STEP 1

Mount Base (Fig A)

Note: If installing into a face frame cabinet, Slide Base A must be flush with the face frame opening.

Fig A)



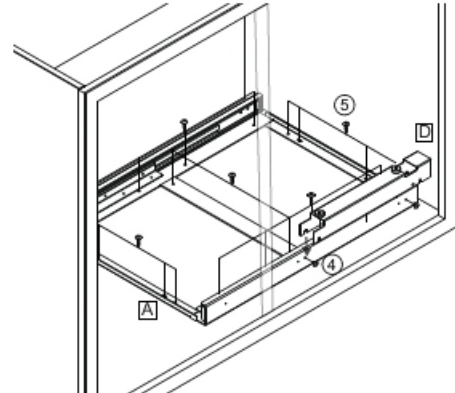
STEP 2

Attach the base (A) with slide channel (d) to floor of cabinet (Fig B)

NOTE: Pre-starting the mounting screws (4) is recommended



Fig B)



STEP 3

Attach Handles.

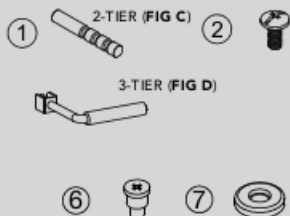


Fig C)

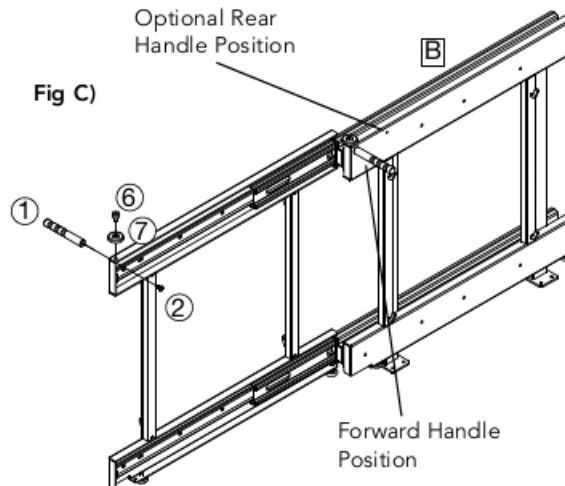
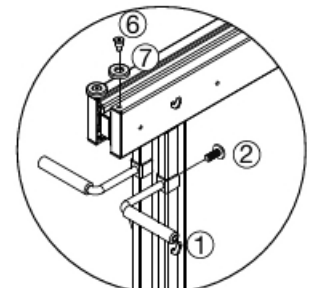


Fig D)

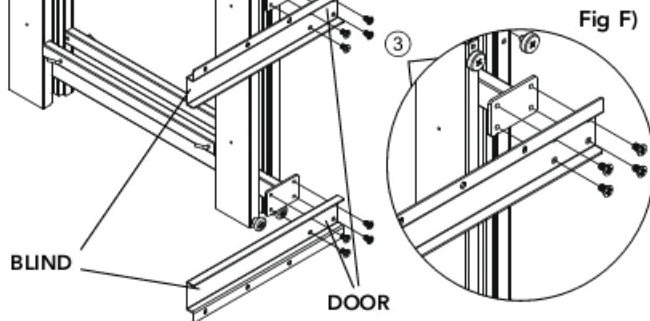
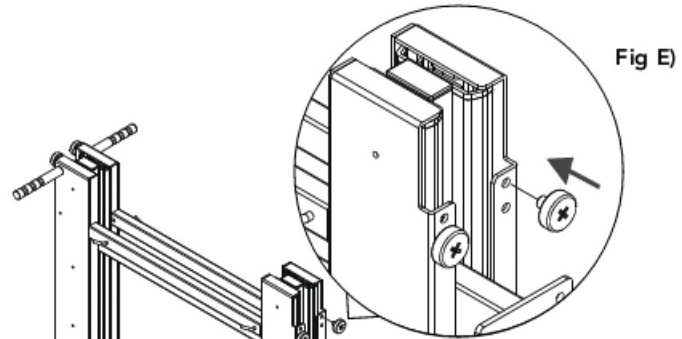


3-Tier Handle Position

STEP 4

Adjust front wheel position for right hand opening. (Fig E)

Attach feet (C) using screw (3) (Fig F)



STEP 5

Secure the feet (C) to the base (A) using screw (4) (Fig G)



Fig G)

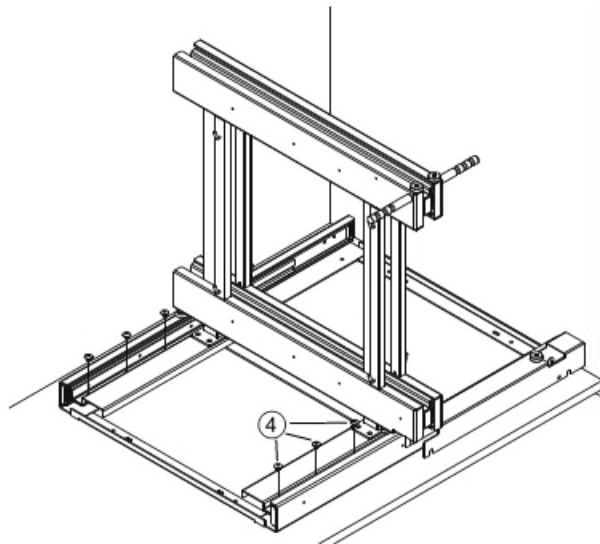


Fig H1)

Attach Hooks (Orion Gray):

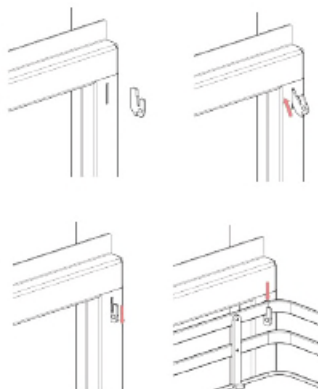
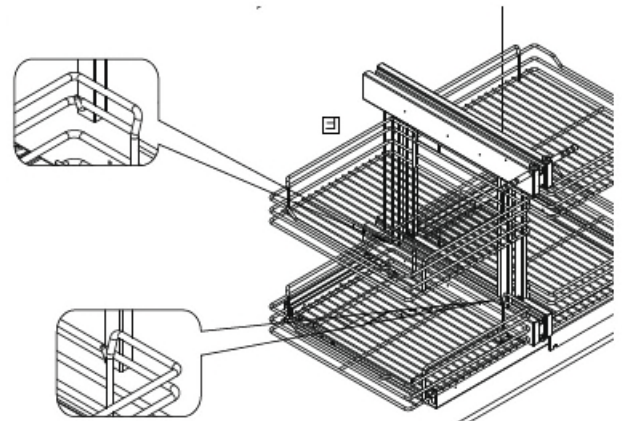


Fig H2)



STEP 6

Attach hooks (Orion Gray version only) (Fig H1) and hang the baskets as shown. (Fig H2)

NOTE: Baskets show in forward position. They can be moved to the rearward position for additional clearance. Bottom basket must hang from the 2nd wire from the top.