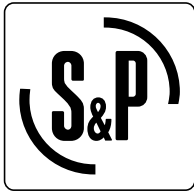
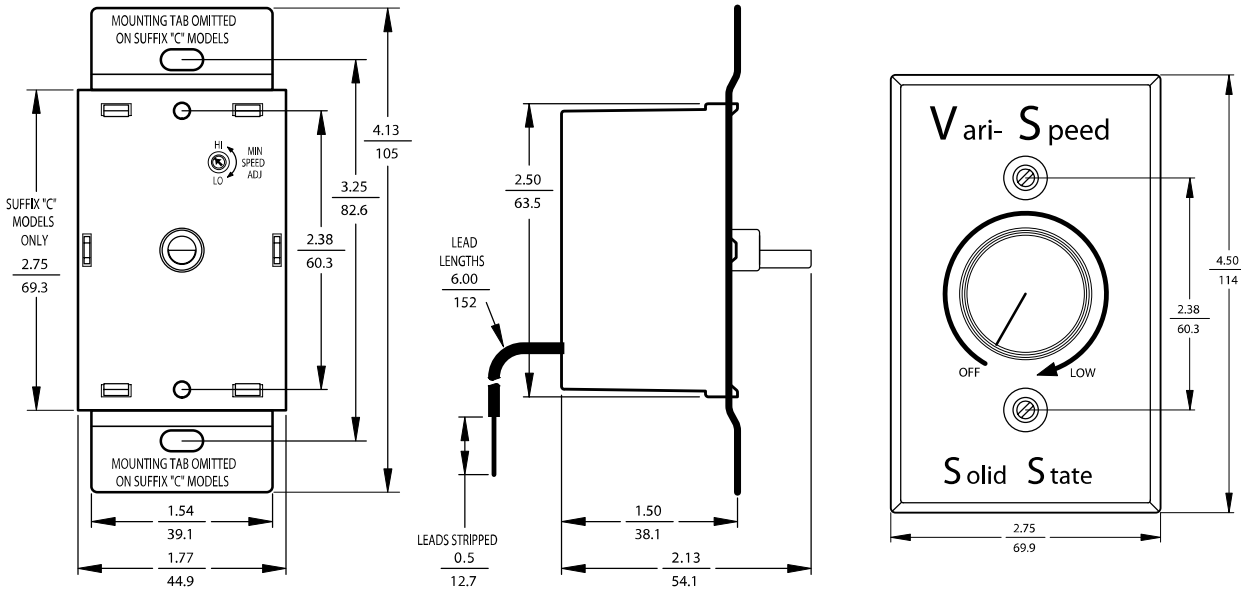


# 2525.5UL - Rotary Speed Control



Designed for mounting in a 2" X 4" electrical wall box. It operates from 115 VAC, 50/60 Hz and has a maximum rating of 5.0 Amps @ 40°C. The 2525.5UL provides infinitely variable speed motor control for Shaded Pole, Permanent Split Capacitor and Universal (AC/DC) motors. The variable speed motor control contains an on/off line switch, a high gain RFI noise suppression filter, a minimum speed trimpot and a flame retardant ABS enclosure. Applications include range hoods, vibrators, humidifiers, fireplace blowers, fans, laminar flow hoods, heat tunnels and stirrers. Mounting kit that includes individual packaging with dial plate, knob, mounting screws, wire connectors and instructions.



## Electrical Ratings

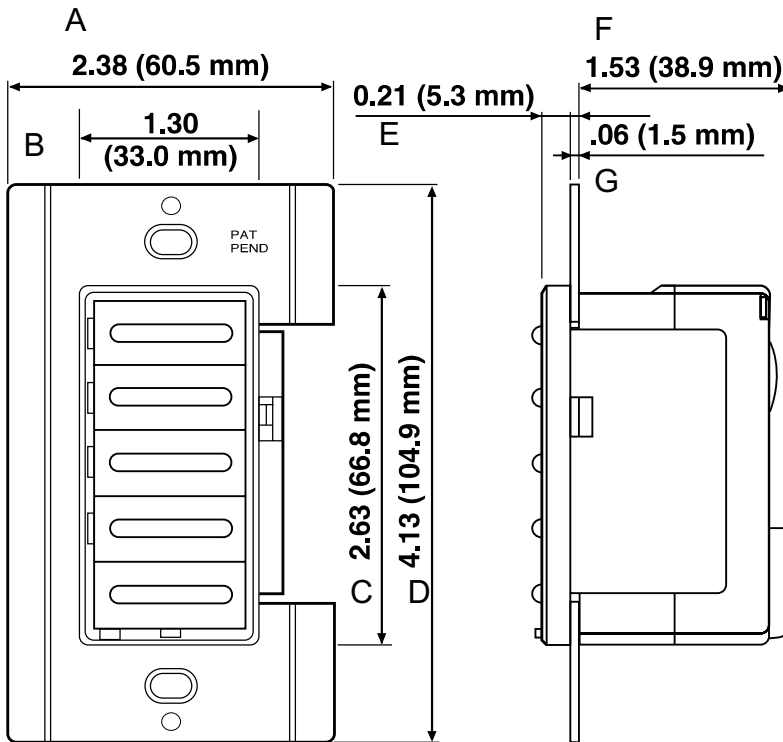
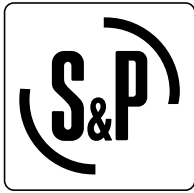
Model No.	AC Line Input Voltage (Volts AC - 50/60 Hz)	Maximum Current Rating (Amps RMS)	Ambient Temperature (°F / °C)
2525.5UL	115	5	104 / 40

ACCESSORY MODEL	1	2	3	4	5	REMARKS

Project: _____	Submitted: _____
Customer: _____	Approved: _____
Location: _____	

Soler & Palau will not be responsible for fabrication changes or errors resulting from customer use of a non-current submittal drawing.

# EPBT-60 - Push Button Timer



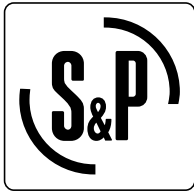
**Features:**

- Switch Type: Single-Pole
- Timer Type: Four Preset
- Style: Decora
- Type: Electronic
- Time Range: 10-20-30-60 Minutes
- Load Type: Incandescent / Inductive
- Load Rating: 1000W / 20A 1HP-120V
- Voltage: 120 Volt AC 60Hz
- Wire: 3
- Neutral: Required
- Color: White

ACCESSORY MODEL	1	2	3	4	5	REMARKS

Project: _____	Submitted: _____
Customer: _____	Approved: _____
Location: _____	

Soler & Palau will not be responsible for fabrication changes or errors resulting from customer use of a non-current submittal drawing.



P: 800.961.7370

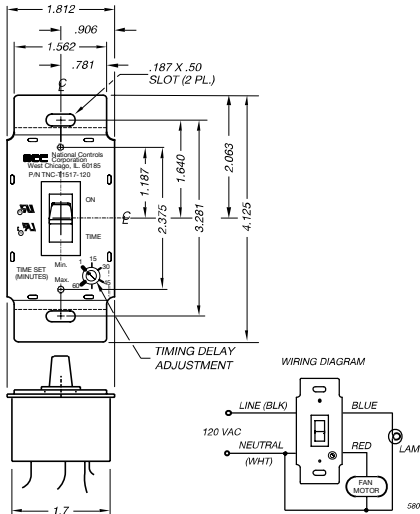
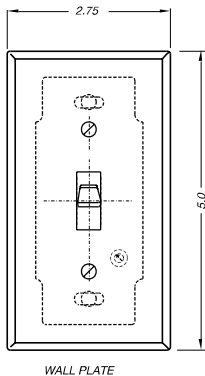
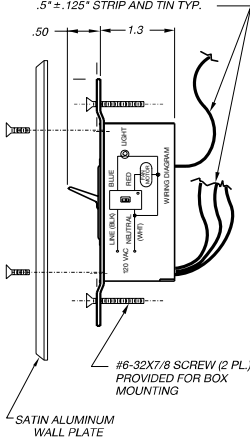
# FLTD-60

## Fan/Light Delay Timer Switch

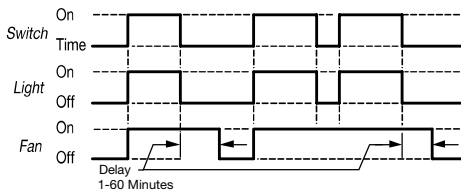
### Features:

- One switch controls fan and light
- Digital timing circuit
- Saves energy by automatically turning exhaust fan off
- Adjustable fan turn off time
- Fits single switch outlet box
- Simple wire nut hook-up
- Cover plate and hardware provided

ALL 4 WIRES ARE 18 AWG,  
U.L. STYLE 1015, .031 INSULATION  
LENGTH MEASURED  
FROM THE COVER: 5.5" ± 1.0",  
.5" ± .125" STRIP AND TIN TYP.



### Logic Function Diagram



**Operating Logic:** Voltage is applied to the unit at all times via the black and white wires. When the switch is placed in the ON position, power is applied to the lamp and fan output. When the switch is placed in the TIMED position, the power is removed from the lamp output and the fan output stays on for the preset delay time. After the delay time the power is removed from the fan output. Should the switch be placed in the ON position during the delay time, the timer will be reset and both outputs will be ON as defined above. Should power be interrupted, when in the TIMED position, the timer will be reset and when power is re-applied the fan output will be ON for the preset delay time after the power is re-applied.

### Specifications:

**TIME DELAY**  
Adjustment: On-board Trimpot  
Range: 1 to 60 minutes  
Repeatability: ±0.5% +8ms max.  
Accuracy:  
Maximum time -0%, +10%  
Minimum time -30%, +0%

### INPUT

Operating Voltage: 120 VAC ±10%  
Power Consumption: 3.5 VA max. at 120 VAC (exclusive of loads)  
Frequency: 50/60 Hz

### OUTPUT

A-Lamp Load (Switch): 500 W at 120 VAC max. (blue wire)  
B-Fan Load (Switch and Relay Contact): 1/3 hp, 10 A (resistive) at 120 VAC max. (red wire)  
Life: 100,000 cycles at full load

### MECHANICAL

Mounting: Fits single switch outlet box  
Electrical: Simple wire nut hook-up  
Switch color: Black

### ENVIRONMENTAL

Storage Temperature: -40°C to 70°C  
Operating Temperature: -40°C to 55°C  
Humidity: 95% relative

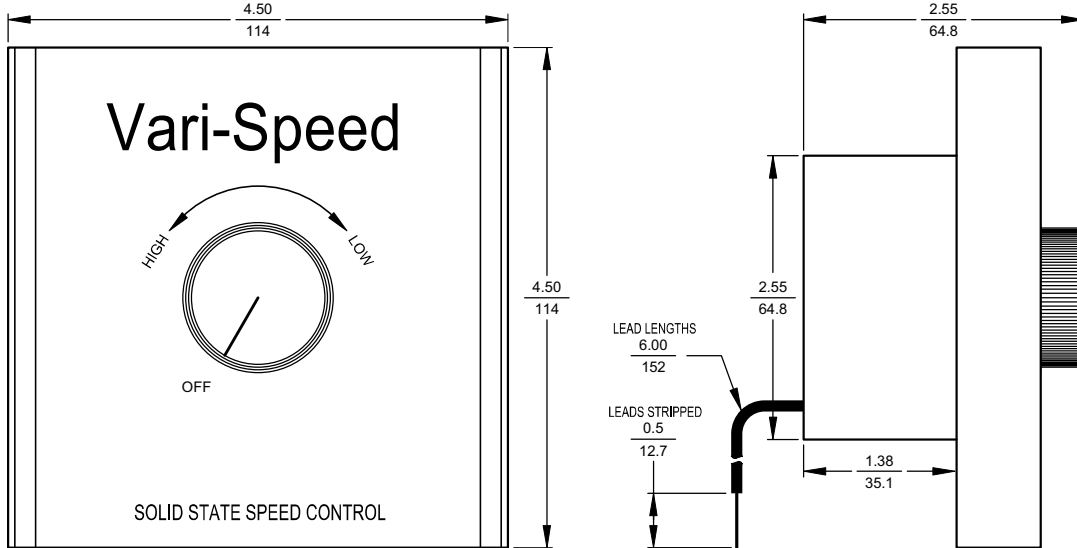
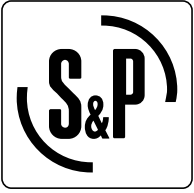
ACCESSORY MODEL	1	2	3	4	5	REMARKS

Project: \_\_\_\_\_ Submitted: \_\_\_\_\_  
 Customer: \_\_\_\_\_ Approved: \_\_\_\_\_  
 Location: \_\_\_\_\_

Soler & Palau will not be responsible for fabrication changes or errors resulting from customer use of a non-current submittal drawing.



# SCR-10, SCR-15, & 2828.1 Rotary Speed Controls



### Electrical Ratings

Model No.	AC Line Input Voltage (Volts AC - 50/60 Hz)	Maximum Current Rating (Amps RMS)	Ambient Temperature (°F/ °C)
SCR-10	115	10	104 / 40
2828.1	115	10	104 / 40
SCR-15	115	15	77 / 25

Mounting Kit: Includes individual packaging with dial plate, knob, mounting screws, wire connectors, and instructions.

2828.1 includes handi-box, label, and hardware.

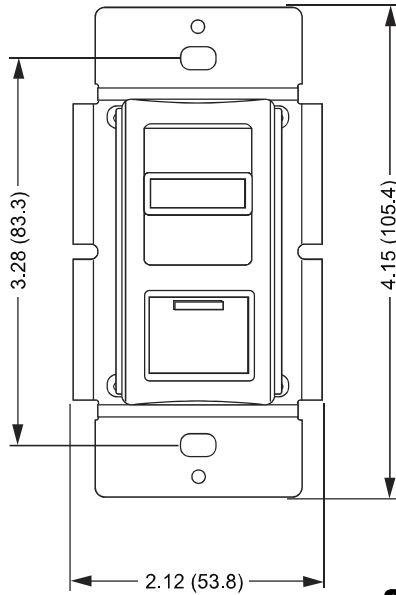
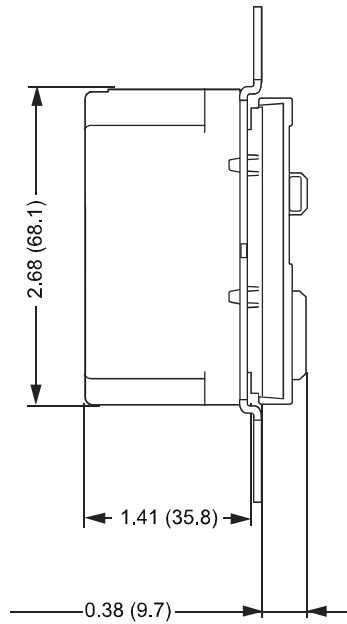


ACCESSORY MODEL	1	2	3	4	5	REMARKS
<input type="checkbox"/>						
<input type="checkbox"/>						
<input type="checkbox"/>						
<input type="checkbox"/>						

Project: _____	Submitted: _____
Customer: _____	Approved: _____
Location: _____	

Soler & Palau will not be responsible for fabrication changes or errors resulting from customer use of a non-current submittal drawing.

# SCS5 - Speed Control Slide



### Features:

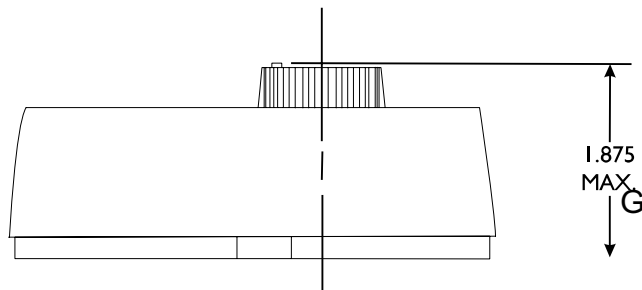
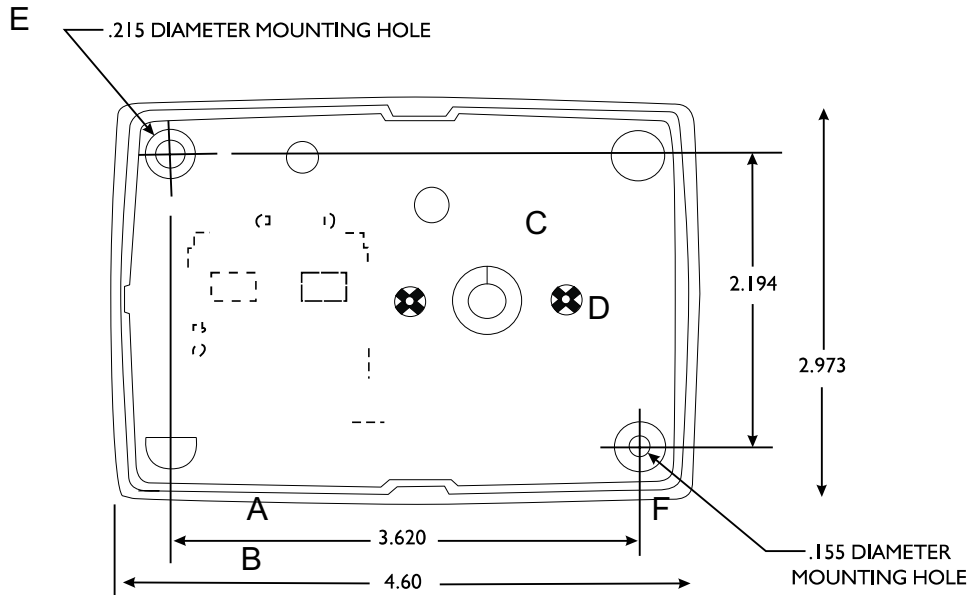
- Operating Temp: 32°F / 0°C - 131°F / 55°C
- Non-Operating Temp: 50°F / 10°C - 185°F / 85°C
- Switch Type: Single-Pole (or 3 Way)
- Type: Electro-Mechanical
- Load Type: Fan
- Load Rating: 5 Amp
- Voltage: 120 Volt AC 60Hz
- Action: Standard ON/OFF
- Protection: Radio/TV Filter
- Color: White, Ivory, & Light Almond
- Fit easily into a standard wallbox and are suitable for multi-gang installations
- RFI noise suppression
- Standards and Certifications: UL/CSA

ACCESSORY MODEL	1	2	3	4	5	REMARKS

Project: _____	Submitted: _____
Customer: _____	Approved: _____
Location: _____	

Soler & Palau will not be responsible for fabrication changes or errors resulting from customer use of a non-current submittal drawing.

# SHW-20 - Wall Mounted Humidstat

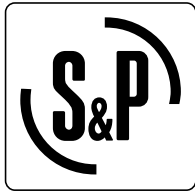


ACCESSORY MODEL	1	2	3	4	5	REMARKS

Project: _____	Submitted: _____
Customer: _____	Approved: _____
Location: _____	

Soler & Palau will not be responsible for fabrication changes or errors resulting from customer use of a non-current submittal drawing.

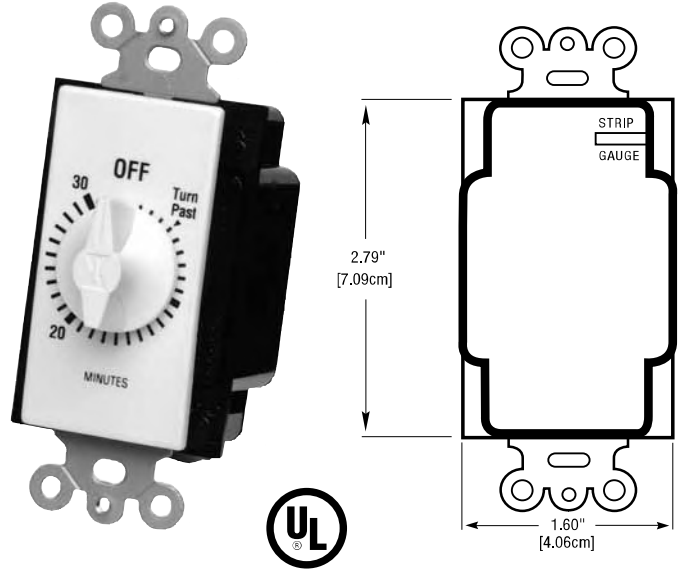




# SRT-30 Rotary Spring Wound Timer

**Ratings**

- Resistive:            20 Amp, 125 VAC, 50/60 Hz  
                           10 Amp, 250 VAC, 50/60 Hz  
                           10 Amp, 277 VAC, 50/60 Hz
  
- Tungsten:            7 Amp, 125 VAC
  
- Motor:                1 HP, 120 VAC, 50/60 Hz  
                           2 HP, 240 VAC, 50/60 Hz
  
- Operating Temp:    -40°F to 104°F
  
- Style:                 Can be used with decorator &  
                           toggle type switch plates
  
- Dimensions:         2.79" H x 1.6" W x 1.19" D
  
- Time Cycle:         30 Minutes
  
- Color:                 White



Auto-Off Timers are designed to replace any standard wall switch - single or multi-gang. This series of energy-efficient mechanical timers do not require electricity to operate. In addition, they automatically limit the ON times for fans.

**Features**

- Hold feature enables user to override the automatic shut-off function
- Single or multi-gang with no field modification required
- Time saving up front terminal connection with teeter-type terminals
- Press-on knob design ensures quick and easy installation
- CFL Compatible
- Not for use with sunlamps, saunas, or loads that could cause personal injury if timed incorrectly.*

ACCESSORY MODEL	1	2	3	4	5	REMARKS

Project: _____	Submitted: _____
Customer: _____	Approved: _____
Location: _____	

S&P will not be responsible for fabrication changes or errors resulting from customer use of a non-current submittal drawing.

