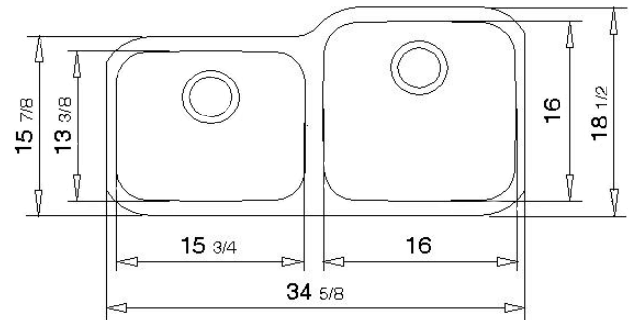




USA Specifications

Offset Bowl
Undermount Double Bowl Sink
Model 125-044
TU 34.18L



General

Highest quality material used.
Steel Composition: Chrome-Nickel Stainless Steel,
Type: 18/10. AISI 304
Gauge: Deck #16, Bowl #18

Design Features

Bowl Depth: Left 7 1/8", Right 9 7/8"
Finish: High- Lustre European Finish
Underside: Sound-deadening Pads
Construction: Bowl is fused together by a belt welder for a sleek, smooth, bubbleless texture and appearance.

Other

Drain opening: 3 1/2"
Note: All Teka undermounts are provided with a template and clips for easy installation under any solid surface countertop.
Limited Lifetime Warranty

Sink Dimensions (Inches)

Model Number	Overall		Inside Bowl						Cutout In Countertop	Minimum Cabinet Size	Shipping Weight (Lbs.)
	L	W	Left			Right					
125-044	30 5/8	18 1/2	L	W	D	L	W	D	See Template	36	21
			15 3/4	13 3/8	7 1/8	16	16	9 7/8			