

Enclume



“Carnival” Rack PR34

Enclume racks are the ultimate in Quality, design, strength and function. Congratulations for owning one of the finest Cook Racks made.

**WARNING:
READ ALL OF THE INSTRUCTIONS
BEFORE ASSEMBLING AND USING
YOUR RACK.**

All of our hammered steel racks are finished with an industrial wax designed to give years of protection to the rack. Cleaning is easily done with a damp cloth. Dry thoroughly after cleaning. If a touch-up is ever needed we recommend a "Pledge" like wax product.

Enclosed you will find everything needed for the assembly and use of your storage rack. Two people make assembly and installation easier. The parts and hardware included are:

Hardware included:

- 12 – 3/8” x 1/2” Button head Screws
- 2 – Plastic End Caps
- 2 – 3/8” Eye Bolts
- 2 – Large Ceiling Screw Hooks
- 2 – 7” Extension Hooks
- 12 – Straight Pot Hooks
- 6 – Angled Pot Hooks
- 1 – 7/32” – Allen Wrench

**SEE REVERSE SIDE FOR
ASSEMBLY AND INSTALLATION INSTRUCTIONS**

Components included:

- 1 – Rack Body - Rectangle
- 1 – Upper Square Tube
- 2 – End Arms
- 4 – Side Arms
- 1 – Grid



It is important that your rack is assembled correctly. If the unit is assembled or used incorrectly, it could become unstable and collapse, possibly causing injury.

Limited Warranty: This product is warranted to be free of material defects for a period of five years from the date of purchase. Customer's exclusive remedy shall be the repair or replacement of the defective product and shall be subject to the following conditions: (1) notice of any defect is received by Enclume within the warranty period and (2) customer returns the defective product to Enclume Design Products, Inc. , 24 Colwell St. , Port Hadlock, WA 98339, *postage prepaid* within 20 days following a return authorization number (which may be obtained by telephoning the number at the bottom of this instructions) being provided to the customer by Enclume. There are no other warranties, expressed or implied. **THERE ARE NO WARRANTIES OF MERCHANTABILITY OR FITNESS FOR A PARTICULAR PURPOSE. ENCLUME SPECIFICALLY DISCLAIMS ANY AND ALL INCIDENTAL OR CONSEQUENTIAL DAMAGES ARISING OUT OF THE PURCHASE OR USE OF ENCLUME'S PRODUCTS.**



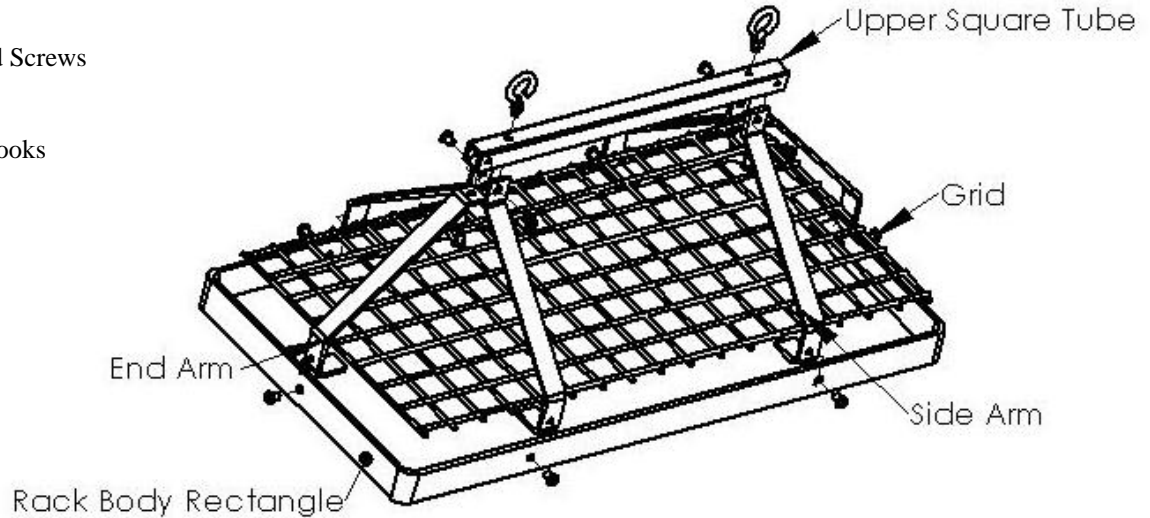
Assembly and Installation Instructions for the PR34

Hardware included:

- 12 – 3/8" x 1/2" Button head Screws
- 2 – Plastic End Caps
- 2 – 3/8" Eye Bolts
- 2 – Large Ceiling Screw Hooks
- 2 – 7" Extension Hooks
- 12 – Straight Pot Hooks
- 6 – Angled Pot Hooks
- 1 – 7/32" Allen Wrench

Components included:

- 1 – Rack Body - Rectangle
- 1 – Upper Square Tube
- 2 – End Arms
- 4 – Side Arms
- 1 – Grid



Rack Assembly:

- 1) Place rack on firm surface
- 2) Using two (2) of the 12 3/8" x 1/2" button head screws, attach the 2 end arms, one to each end of the rack body. (NOTE: the 2 end arms can be identified as having the ends of the arms facing in the same direction and in the horizontal plane. Square the two end arms up and tighten securely with the Allen wrench provided.
- 3) Locate the "square tube" upper and the two 3/8" eyebolts. Attach the eyebolts to the square tube using the two holes that are located approximately 2 inches from each end of the upper. (NOTE: the other 3 holes in each end will be used to attach the arms in Step 4, 5, and 7, and are approximately 1/2" from each end.) The eyebolt should be threaded into the upper approximately 7 – 8 full turns.
- 4) Once the eyebolts have been threaded into the proper holes, place the upper with eyebolts facing upwards on the two end arms. Align the holes in arms with the corresponding holes in the upper and attach with 3/8" x 1/2" Button Head screws.
- 5) Locate and attach 2 side arms to the same side of the rack body and upper leaving the remaining 2 side arms for Step 7.
- 6) With one side of the rack open, carefully place the grid onto the tabs of the end arms and side arms.
- 7) Locate the remaining 2 side arms. Carefully lift the grid and place one of the arms into position and attach to the rack body and upper with 3/8" x 1/2" Button head Screws. Repeat this process for the last remaining arm.
- 8) Square up the arms and securely tighten all Button Head Screws.
- 9) Insert the extension hooks into the eyebolts in the square tube upper.
- 10) Locate the two black end caps and place on into each of the square tube upper.
- 11) We recommend that you anchor your rack into the solid wood of ceiling joists or beams. Carefully measure the area where the rack is to be hung and install the ceiling screw hooks directly into the wood joists. If it is not convenient to hang your rack directly into wood joists you may use the DRYWALL Toggler anchors not included. The steel anchors are very strong and when installed in drywall will hold 200 lbs. each. Two anchors hold about 400 lbs.
- 12) Hang your pot hooks from the interior squares only. **Do not** hang them from the perimeter or the cut portions of the grid. Distribute your cookware evenly.
- 13) All of our hammered steel racks are finished with an industrial wax designed to give years of protection to the rack. Cleaning is easily done with a damp cloth. Dry thoroughly after cleaning. If a touch-up is ever needed we recommend a "Pledge" like wax product.

