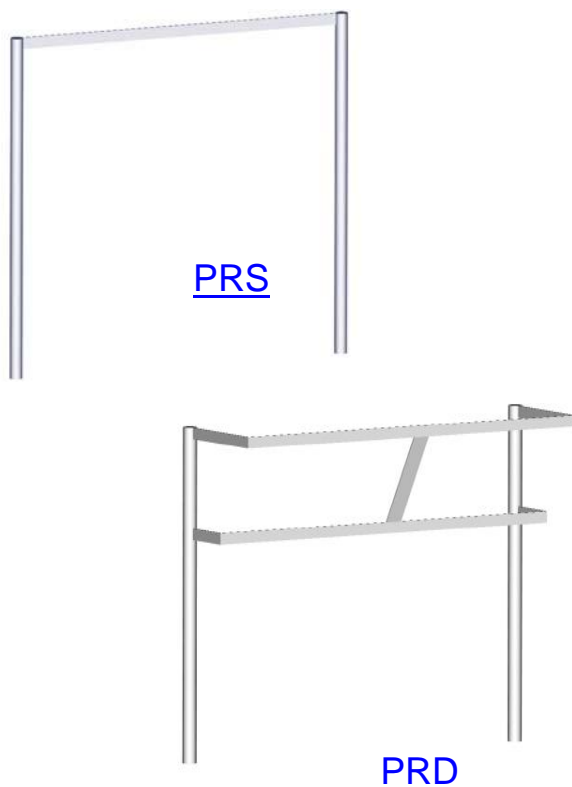




"PRS" & "PRD" Stainless Steel POT RACKS

___ Single Bar Rack
Model PRD Double Bar Rack



Model PRS Single - Bar Rack

| MODEL | LENGTH | HOOKS | QTY |
|-------|--------|-------|-----|
| PRS1A | 26" | 3 | |
| PRS1 | 48" | 4 | |
| PRS2 | 60" | 5 | |
| PRS3 | 72" | 6 | |
| PRS3A | 84" | 7 | |
| PRS4 | 96" | 8 | |
| PRS4A | 108" | 9 | |
| PRS5 | 120" | 10 | |

Model PRD Double - Bar Rack

| MODEL | LENGTH | HOOKS | QTY |
|-------|--------|-------|-----|
| PRD1A | 36" | 6 | |
| PRD1 | 48" | 8 | |
| PRD2 | 60" | 10 | |
| PRD3 | 72" | 12 | |
| PRD3A | 84" | 14 | |
| PRD4 | 96" | 16 | |
| PRD4A | 108" | 18 | |
| PRD5 | 120" | 20 | |

FEATURES:

- * Pot Racks are fabricated from 2"x3/16" Stainless Steel flat bar 16 gauge, type 300 stainless steel with # 3 polish, satin finish
- * Uprights are 1 5/8" O.D. Round 16 gauge tubing, type 300 stainless steel with # 3 polish, satin finish
- * **Table or Ceiling Mount** (Please Specify)
- * All Pot Racks feature **Welded-Set-Up**
- * Pot Hooks are Removable and Stainless Steel
- * Table mount Pot Racks are 48" total height above work surface
- * All models are approved by the National Sanitation Foundation

CONSTRUCTION:

- * Stainless Steel Pot Racks are TIG welded
- Exposed welds are polished to match adjacent surfaces

MATERIAL:

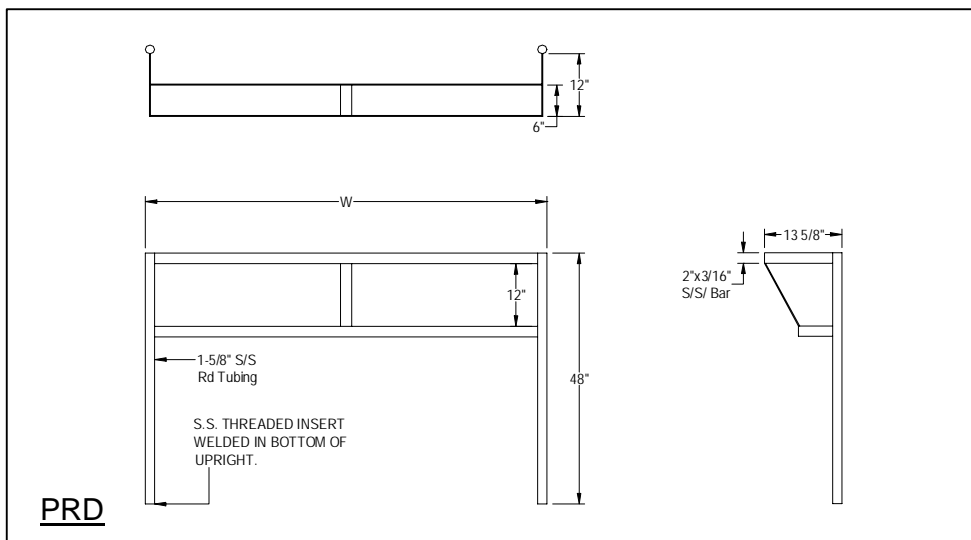
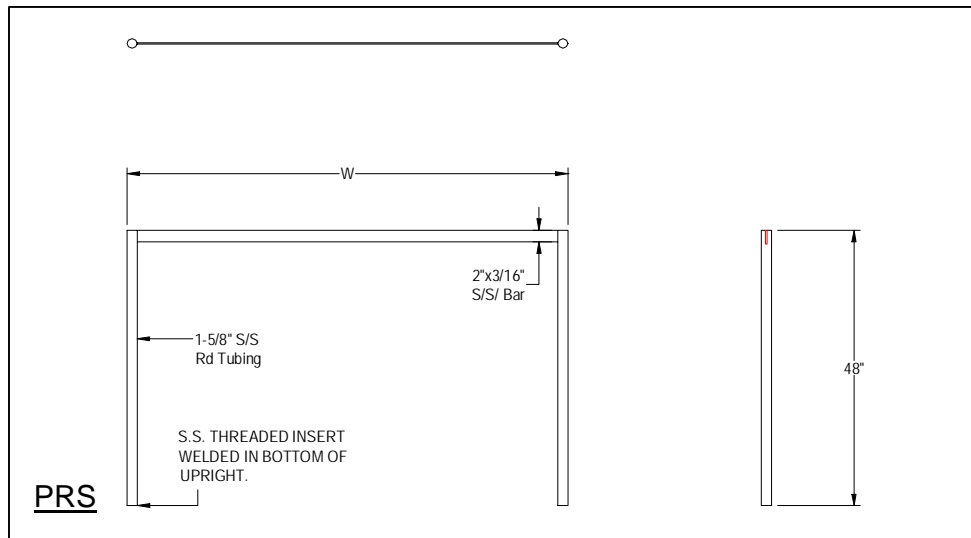
- Frame: 2" x 3/16" Flat Bar, 16 gauge type 300 stainless steel # 3 polish, satin finish
- Uprights: 1 5/8" Round O.D., 16 gauge type 300 tubular stainless steel # 3 polish, satin finish
- Hooks: Stainless Steel

OPTIONAL ACCESSORIES

| | MODEL | Qty |
|---------------|-------|-----|
| Ceiling Mount | | |
| Extra Hooks | | |

John Boos & Co

DETAILED SPECIFICATIONS



Shipped Welded set-Up

Units 6 ft. and longer are furnished with extra support bracket

All dimensions are typical.

Tolerance +/- .500".

| _____ - Bar Rack | | | |
|------------------|--------|-------|-----|
| MODEL | LENGTH | HOOKS | WT |
| PRS1A | 36" | 3 | 51 |
| PRS1 | 48" | 4 | 68 |
| PRS2 | 60" | 5 | 85 |
| PRS3 | 72" | 6 | 102 |
| PRS3A | 84" | 7 | 119 |
| PRS4 | 96" | 8 | 136 |
| PRS4A | 108" | 9 | 153 |
| PRS5 | 120" | 10 | 170 |

| Model PRD Double - Bar Rack | | | |
|-----------------------------|--------|-------|-----|
| MODEL | LENGTH | HOOKS | WT |
| PRD1A | 36" | 6 | 75 |
| PRD1 | 48" | 8 | 100 |
| PRD2 | 60" | 10 | 125 |
| PRD3 | 72" | 12 | 150 |
| PRD3A | 84" | 14 | 175 |
| PRD4 | 96" | 16 | 200 |
| PRD4A | 108" | 18 | 225 |
| PRD5 | 120" | 20 | 250 |



March 2009

John Boos is constantly engaged in a program of improving products and therefore reserves the right to change specification without prior notice