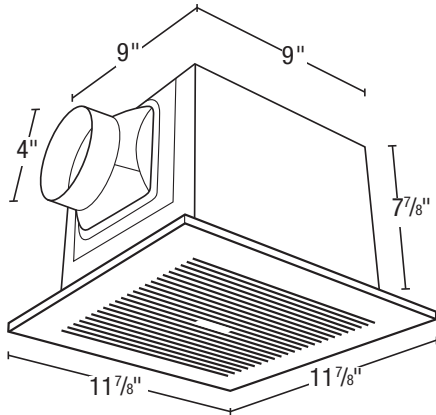




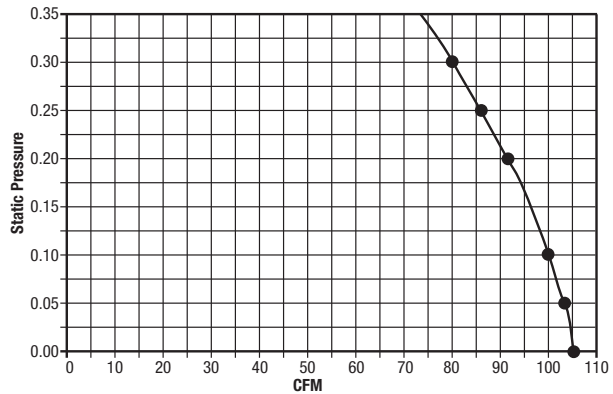
SPECIFICATIONS
BFC100
EXHAUST FAN

HVI 2100 CERTIFIED **100 CFM/1.0 Sones @ 0.10" SP.**
85 CFM @ 0.25 SP.



- **Grill**
White, polymeric grill secured in place with torsion springs; easily removed if necessary, dimensions - 11⁷/₈" x 11⁷/₈".
- **Blower Wheel**
One piece polymeric centrifugal blower wheel, 5⁷/₃₂" diameter, 4¹/₈" wide, with 36 paddles.
- **Motor**
Heavy duty, permanently split capacitor, plug-in, 4 pole motor, life time lubrication, suitable for continuous operation. Rated 120 volts, 60 hz.
- **Fan Housing**
23 gauge painted metal housing. Dimensions: 9" x 9" x 7⁷/₈".
- **Duct Collar**
Metal collar for 4" duct connection, comes complete with built in back draft damper.
- **Ventilating Area**
For bathrooms up to 100 sq. ft. For other rooms up to 125 sq. ft.
- **Electrical Connections**
3/4" electrical access.
- **Unit Mounting**
The housing will mount in ceilings with at least 8" of clearance and through drywall thickness up to 3/4", with a rough-in opening of 9¹/₈" x 9¹/₈". The housing will mount either between 16" or 24" on center joists, using the 4 supplied housing mounting rails. The housing mounting rails can be adapted for overhead mounting (hardware not provided).
- **Single Pack Shipping Info**
Box Dim: 13" x 12³/₈" x 9³/₄"
Shipping Weight: 9.2 lbs.

Acceptable for use over tub or shower when installed in a GFCI protected branch circuit.



| EXPANDED PERFORMANCE | | | | | | | | | | | |
|-----------------------|----------------------------------|------|-----|-----|------|-----|-------|---------------|---------------|-------------------|------|
| | Static Pressure (inches of w.g.) | | | | | | | Sones @ .1 SP | Fan Speed RPM | Maximum Fan Watts | Amps |
| | 0 | 0.05 | 0.1 | 0.2 | 0.25 | 0.3 | 0.375 | | | | |
| Air Flow - CFM | 106 | 104 | 100 | 92 | 86 | 80 | 68 | 1.0 | 912 | 22.3 | 0.19 |

| PROJECT | | | | | ARCHITECT | | | | | | |
|-------------------|--------------|-----|---------|-----|---------------------|------|-------|-----|------------------------------|-------------|--|
| LOCATION | | | | | ENGINEER | | | | | | |
| CONTRACTOR | | | | | SUBMITTED BY | | | | | DATE | |
| FAN NUMBER | MODEL NUMBER | CFM | IN W.G. | RPM | WATTS | AMPS | SONES | QTY | OPTIONAL EQUIPMENT & REMARKS | | |
| | | | | | | | | | | | |



U.S.: 820 Lincoln Avenue
West Chester, Pennsylvania 19380-4466
Tel: (610) 692-7400 • 877-304-3785
Fax: (610) 696-8048

Canada:
Brampton, Ontario
Tel: 905-456-2033
Fax: (905) 456-1015

Specifications subject to change without notice.