

IMPORTANT INSTRUCTIONS - OPERATING MANUAL

Models: LE600A, LE600, L600

Air King
Ventilation Products®

Power Unit



READ AND SAVE THESE INSTRUCTIONS

READ CAREFULLY BEFORE ATTEMPTING TO ASSEMBLE, INSTALL, OPERATE OR MAINTAIN THE PRODUCT DESCRIBED. PROTECT YOURSELF AND OTHERS BY OBSERVING ALL SAFETY INFORMATION. FAILURE TO COMPLY WITH INSTRUCTIONS COULD RESULT IN PERSONAL INJURY AND/OR PROPERTY DAMAGE!



RETAIN INSTRUCTIONS FOR FUTURE REFERENCE.

GENERAL SAFETY INFORMATION

When using electrical appliances, basic precautions should always be followed to reduce the risk of fire, electric shock and injury to person, including the following:



WARNING: TO REDUCE THE RISK OF FIRE, ELECTRIC SHOCK AND INJURY TO PERSON, OBSERVE THE FOLLOWING:

- Use this unit only in the manner intended by the manufacturer. If you have questions, contact the manufacturer.
- Before servicing or cleaning the unit, switch power off at service panel and lock the service disconnecting means to prevent power from being switched on accidentally. When the service disconnecting means cannot be locked, securely fasten a prominent warning device, such as a tag, to the service panel.



WARNING: TO REDUCE THE RISK OF FIRE, ELECTRIC SHOCK AND INJURY TO PERSON, OBSERVE THE FOLLOWING:

- Installation work and electrical wiring must be done by qualified person(s) in accordance with all applicable codes and standards, including fire-related construction.
- Sufficient air is needed for proper combustion and exhausting of gases through the flue (chimney) of fuel burning equipment to prevent back drafting. Follow the heating equipment manufacturer's guideline and safety standards such as those published by the National Fire Protection Association (NFPA) and the American Society for Heating, Refrigeration, and Air Conditioning Engineers (ASHRAE), and the local code authorities.
- When cutting or drilling into wall or ceiling, do not damage electrical wiring and other hidden utilities.



CAUTION: FOR GENERAL VENTILATING USE ONLY. DO NOT USE TO EXHAUST HAZARDOUS OR EXPLOSIVE MATERIALS AND VAPORS.



CAUTION: TO REDUCE THE RISK OF FIRE AND TO PROPERLY EXHAUST AIR, BE SURE TO DUCT AIR OUTSIDE - DO NOT VENT EXHAUST AIR INTO SPACES WITHIN WALLS OR CEILINGS OR INTO ATTICS, CRAWL SPACES, OR GARAGES.

- Ducted fans must always be vented to the outdoors.
- This unit must be grounded.
- To avoid motor bearing damage and noisy and/or unbalanced impellers, keep drywall spray, construction dust, etc. off power unit.
- Read all instructions before installing or using range hood.



WARNING: TO REDUCE THE RISK OF FIRE, ELECTRIC SHOCK, DO NOT USE THIS FAN WITH ANY SOLID-STATE SPEED CONTROL DEVICE.



WARNING: TO REDUCE THE RISK OF A RANGE TOP GREASE FIRE:

- Never leave surface units unattended at high settings. Boil overs cause smoking and greasy spillovers that may ignite. Heat oils slowly on low or medium settings.
- Always turn hood ON when cooking at high heat or when flambéing food (ie. Crepes Suzette, Cherries Jubilee, Peppercorn Beef Flambé).
- Clean ventilating fans frequently. Grease should not be allowed to accumulate on fan filter.
- Use proper pan size. Always use cookware appropriate for the size of the surface element.



WARNING: TO REDUCE THE RISK OF INJURY TO PERSONS IN THE EVENT OF A RANGE TOP GREASE FIRE, OBSERVE THE FOLLOWING:

- SMOTHER FLAMES with a close-fitting lid, cookie sheet, or metal tray, then turn off burner. BE CAREFUL TO PREVENT BURNS. If the flames do not go out immediately, EVACUATE AND CALL THE FIRE DEPARTMENT.
- NEVER PICK UP A FLAMING PAN - You may be burned.
- DO NOT USE WATER, including wet dishcloths or towels - a violent steam explosion will result.
- Use an extinguisher ONLY if:
 - You know you have a Class ABC extinguisher, and you already know how to operate it.
 - The fire is small and contained in the area where it started.
 - The fire department is being called.
 - You can fight the fire with your back to an exit.



WARNING: TO REDUCE THE RISK OF FIRE, USE ONLY METAL DUCTWORK.



WARNING: THE DUCTING FROM THIS FAN TO THE OUTSIDE OF THE BUILDING HAS A STRONG EFFECT ON THE AIR FLOW, NOISE AND ENERGY USE OF THE FAN. USE THE SHORTEST, STRAIGHTEST DUCT ROUTING POSSIBLE FOR BEST PERFORMANCE, AND AVOID INSTALLING THE FAN WITH SMALLER DUCTS THAN RECOMMENDED. INSULATION AROUND THE DUCTS CAN REDUCE ENERGY LOSS AND INHIBIT MOLD GROWTH. FANS INSTALLED WITH EXISTING DUCTS MAY NOT ACHIEVE THEIR RATED AIRFLOW.

SAVE THESE INSTRUCTIONS

INSTALLATION INSTRUCTIONS



CAUTION: MAKE SURE POWER IS SWITCHED OFF AT SERVICE PANEL BEFORE STARTING INSTALLATION.

SECTION 1

Preparing the Insert

1. Unpack hood from the carton and confirm that all pieces are present. In addition to the range hood you should have:
 - 1 - Duct collar
 - 1 - Wire compartment
 - 3 - Aluminum Grease Filters (shipped installed)
 - 2 - Lamps
 - 1 - Instruction/Safety Sheet

NOTE: Some hoods may be shipped with a protective plastic adhered to the underside of the unit. It is recommended to leave this in place during installation to protect it from scratching. Remove when the installation is complete.

SECTION 2

Preparing the Area



CAUTION: MAKE SURE POWER IS SWITCHED OFF AT SERVICE PANEL BEFORE STARTING INSTALLATION.



CAUTION: WHEN CUTTING OR DRILLING INTO WALL DO NOT DAMAGE ELECTRICAL WIRING AND OTHER HIDDEN UTILITIES.

1. Most building codes require noncombustible material above the cooking surface. If you have wood or some other combustible material on the bottom of your cabinets it is recommended that you use the optional hood liner (See **Section 3**) If you have noncombustible material cut a 26-7/8" x 10" hole into the cabinet or canopy the power unit will be mounted into (**Figure 1**).

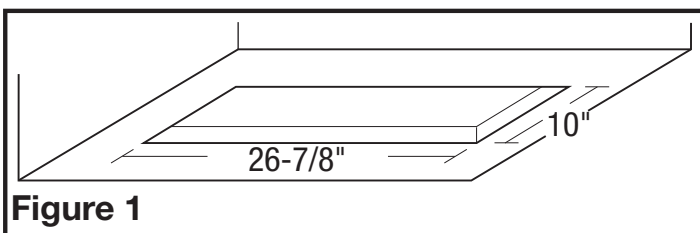


Figure 1

NOTE: The hood must be mounted a minimum of 24" and a maximum of 36" from the cooking surface.

SECTION 3

Optional Hood Liner



CAUTION: MAKE SURE THE SURFACE YOU ARE MOUNTING THE INSERT AND LINER TO IS CAPABLE OF SUPPORTING THE WEIGHT OF THE UNIT. OTHERWISE YOU WILL NEED TO REINFORCE THE AREA.

1. Secure the liner to the cabinet frame or custom canopy using three screws on each end of the liner and 3 screws on each side of the top of the liner (**Figure 2**).

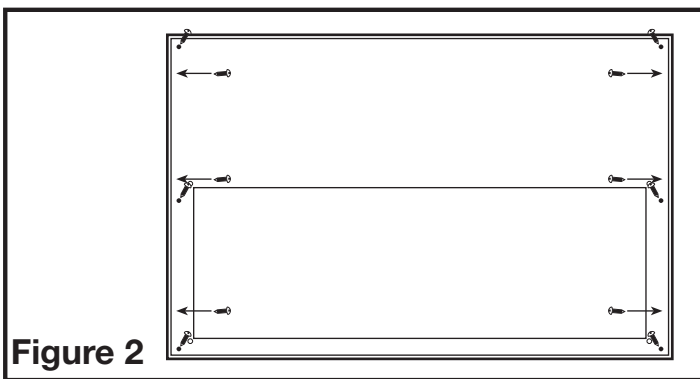


Figure 2

SECTION 4

Installing the Insert

2. Insert the power unit into the hole and secure to liner using the screws provided with the Liner (**Figure 3**).

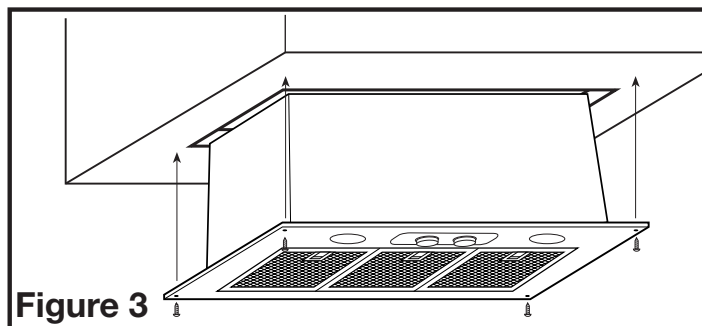


Figure 3

NOTE: If an optional Air King Liner is not being used; use appropriate hardware to install the unit in place, making sure to comply with all Local and National Building Codes.



CAUTION: MAKE SURE THE SURFACE YOU ARE MOUNTING THE POWER UNIT TO IS CAPABLE OF SUPPORTING THE WEIGHT OF THE UNIT. OTHERWISE YOU WILL NEED TO REINFORCE THE AREA.

SECTION 5

Ducting



CAUTION: ALL DUCTING MUST COMPLY WITH LOCAL AND NATIONAL BUILDING CODES.

NOTE: The ducting from this fan to the outside of the building has a strong effect on the air flow, noise and energy use of the fan. Use the shortest, straightest duct routing possible for best performance, and avoid installing the fan with smaller ducts than recommended. Insulation around the ducts can reduce energy loss and inhibit mold growth. Fans installed with existing ducts may not achieve their rated air flow.



WARNING: TO REDUCE THE RISK OF FIRE, USE ONLY METAL DUCTWORK.

1. Install the included damper to the hood with three of the provided #6 blunt tip screws. Peel backing off the included gasket and while holding the dampers in a vertical position install the gasket onto the hood. Make sure to align the holes and rectangular cutouts to ensure the dampers open smoothly. Install the included duct collar to the hood with four of the provided #6 blunt tip screws (**Figure 4**). Ensure duct joints and exterior penetrations are sealed with caulk or other similar material to create an air-tight path to minimize building heat loss or gain and to reduce the potential for condensation. Place/wrap insulation around duct and/or fan in order to minimize possible condensation buildup within the duct, as well as building heat loss or gain (**Figure 5**).

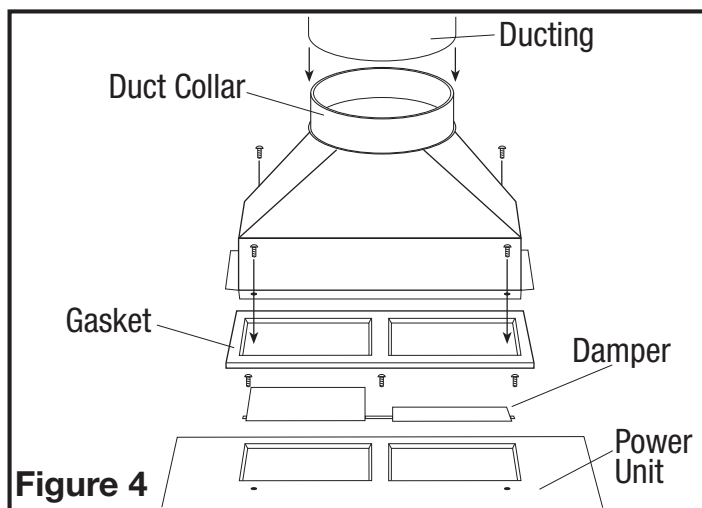


Figure 4

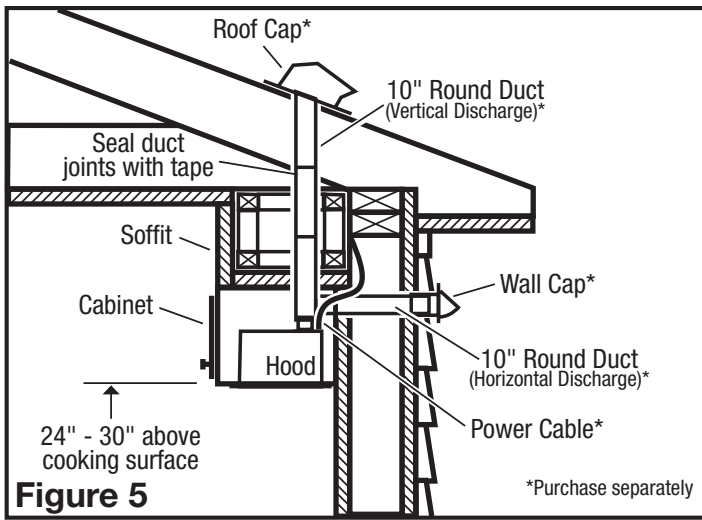


Figure 5

- When there is access to the top of the unit, connect the ducting to the duct collar and secure in place using tape to seal all joints (**Figure 4**).
- When there is no access to the top of the hood, carefully pull down the metal duct through the custom hood base hole. Slide this duct over the duct collar. Make sure the adapter/damper assembly enters the ducting. Seal the connection with duct tape.

NOTE: To achieve proper air flow, 10" round ducting is required. The duct connector is 9.8" in diameter (for 10" round ducting). To ensure the best air and sound performance, it is recommended that the length of ducting and the number of elbows be kept to a minimum, the radius of each elbow be as large as possible for the installation, and that hard ducting be used. Larger duct sizes will reduce noise and airflow restrictions.

CAUTION: ALWAYS DUCT THE FAN TO THE OUTSIDE THROUGH A WALL OR ROOF CAP.

SECTION 6

Wiring

CAUTION: ALL ELECTRICAL CONNECTIONS MUST BE MADE IN ACCORDANCE WITH LOCAL CODES, ORDINANCES, OR NATIONAL ELECTRICAL CODE. IF YOU ARE UNFAMILIAR WITH METHODS OF INSTALLING ELECTRICAL WIRING, SECURE THE SERVICES OF A QUALIFIED ELECTRICIAN.

- Examine the wire compartment cover and select the most convenient wire entrance and remove the knock out. Feed the supply wire through the opening and install an appropriate strain relief. Connect the two loose White wires from the range hood to the White wire from the supply, and the loose Black wire from the range hood to the Black wire of the supply. Connect the ground wire (green or bare) from the supply to the green ground screw of the hood. Use approved methods for all connections (**Figure 6**).

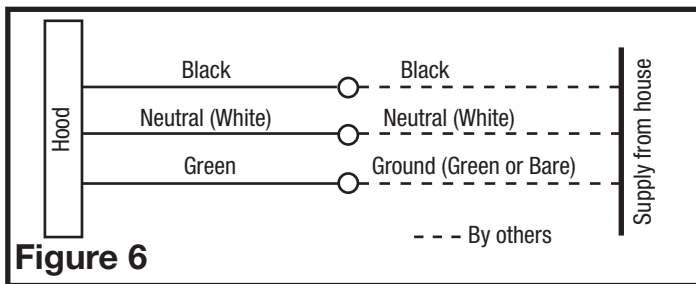


Figure 6

- Attach the wire compartment to the power unit with two of the provided #6 blunt tipped screws (**Figure 7**).

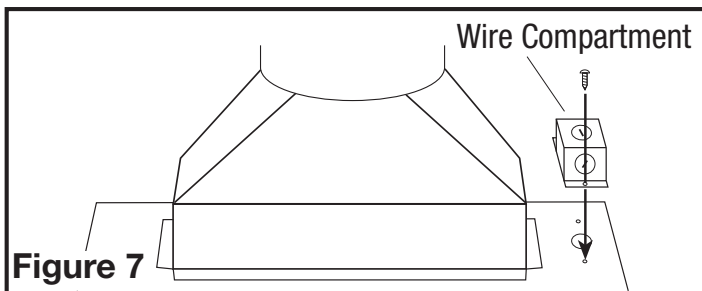
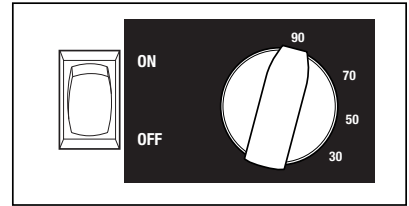


Figure 7

SECTION 7

Setting the speed control (Models LE600A only)

- Your range hood is equipped with a speed control that allows the hood to run continuously at the preset CFM level. To set the CFM level, move the rotary dial located inside the wire compartment to the desired CFM.
- Locate the rocker switch labeled "ASHRAE 62.2" on the speed control cover and make sure it is in the ON position. To turn the continuous speed function off, set the switch to the OFF position.



WARNING: SWITCHING THE CONTINUOUS SPEED ROCKER SWITCH TO THE OFF POSITION DOES NOT TURN THE MAIN POWER TO THE HOOD OFF.

SECTION 8

Motorized Damper

An optional motorized damper can be connected to the unit. The damper is connected via a 24V transformer that plugs into the receptacle in the unit (**Figure 8**).

Power Supply Requirements: 120V/60Hz/Max 15W

NOTE: Receptacle to be used ONLY for Air King motorized damper.

NOTE: Make sure to reference the instructions included with the motorized damper before installing or operating.

Operation

- When installed the outlet will be energized anytime the unit is set to high, medium or low speed. When the speed control is set to off the damper will close.

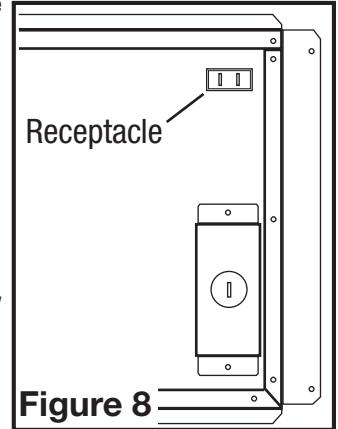


Figure 8

SECTION 9

Finishing the Installation

- Remove any protective plastic adhered to the power unit.
- Install lamps by inserting lamp into socket and turning clockwise slightly until firmly seated. DO NOT over tighten.
 - LE600A, LE600:** Two GU10 Base 7W maximum LED lamps
 - L600:** Two GU10 Base 50W maximum Halogen lamps
- Turn switches to the OFF (●) position and restore power. Test that the light and the fan are operating properly.
- If there is any vibration noise, check for the source and try to tighten fasteners, adjust the tape to make a tighter connection or seal, or check that the hood collar damper, wall damper or ceiling damper are opening properly.

SECTION 10

Operation

Controls

Your Range Hood is equipped with two rotary switches with one controlling the lighting and the other controlling the exhaust fan blower. The light switch is a rotary switch. The fan switch has four positions, Off, High, Medium, and Low (**Figure 9**).



Figure 9

SECTION 11

Maintenance



CAUTION: MAKE SURE POWER IS SWITCHED OFF AT SERVICE PANEL BEFORE SERVICING THE UNIT.

Filters

- Included with your unit are aluminum grease filters that should be washed at least once a month. The filters should be washed in a mild soap or detergent.
- To remove the filters, pull down on the handle tab until the filter releases from the unit. To reinstall, slide tab at rear of filter into slot in the unit. While holding in handle of filter, lift filter into place and release handle. The filter should snap securely into place (**Figure 10**).

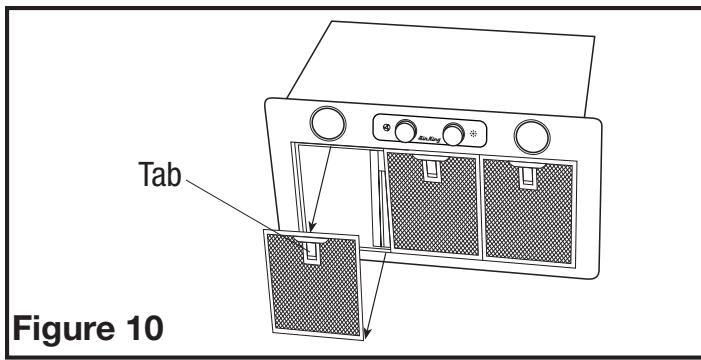


Figure 10

- If the grease filters become damaged, replace with the Air King Model SVGF-03 Grease Filters.

Changing the Lamp

- To remove/replace the light bulb, remove the filters using the procedure listed above.
- Locate the lamp holder bracket mounted on the back wall of the hood (**Figure 11**).
- Loosen the upper & lower wing nuts a few turns by turning counter-clockwise (loosen only, do not remove the nuts or bracket).
- Lower the bracket so the lamp protrudes below the face of the hood.

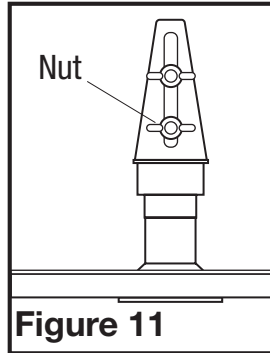


Figure 11

- Remove the lamp by turning slightly counter-clockwise and pulling out of the socket. Replace with a GU10 Base lamp.
- Installation is the reverse of removal.

Fuse

To replace the fuse, turn the fuse cap located next to the wire connector counter clockwise and pull out. Replace with a Bussman MDA-1.5 or equivalent 250-Volt, 1-1/2 Amp Max. fuse. Reinstall the fuse back into the hood.

Cleaning



CAUTION: DO NOT USE GASOLINE, BENZINE, THINNER, HARSH CLEANSERS, ETC., AS THEY MAY DAMAGE THE RANGE HOOD.

- Clean your power unit with a mild detergent, such as dishwashing liquid, and dry with a soft cloth. **NEVER USE ANY ABRASIVE PADS OR SCOURING POWDERS.** Completely dry before restoring power. **NEVER IMMERSE ELECTRICAL PARTS IN WATER.**
- The fan assembly can be vacuumed when build up (dirt, lint, etc.) accumulates over time. The fan is permanently lubricated and does not require oiling.

Troubleshooting Guide

Trouble	Probable Cause	Suggested Remedy
1. Hood does not operate when the switch is on.	1a. A fuse may be blown or a circuit tripped. 1b. Wiring is not connected properly.	1a. Replace fuse or reset circuit breaker. 1b. Turn off power to unit. Check that all wires are connected.
2. Hood is operating, but air moves slower than normal.	2. Obstruction in the exhaust ducting.	2. Check for any obstructions in the ducting including filter.
3. Hood is making a rattling noise.	3a. Filters are loose. 3b. Duct connection is loose. 3c. Damper is stuck.	3a. Turn off power to unit. Check that all filter screws are fully tightened. 3b. Turn off power to unit. Check that duct connection is tight. 3c. Turn off power to unit. Check that the damper is opening freely.

LIMITED WARRANTY

WHAT THIS WARRANTY COVERS: This product is warranted against defects in workmanship and/or materials.

HOW LONG THIS WARRANTY LASTS: This warranty extends only to the original purchaser of the product and lasts for five (5) years from the date of original purchase or until the original purchaser of the product sells or transfers the product, whichever first occurs.

WHAT AIR KING WILL DO: During the warranty period, Air King will, at its sole option, repair or replace any part or parts that prove to be defective or replace the whole product with the same or comparable model.

WHAT THIS WARRANTY DOES NOT COVER: This warranty does not apply if the product was damaged or failed because of accident, improper handling or operation, shipping damage, abuse, misuse, unauthorized repairs made or attempted. This warranty does not cover shipping costs for the return of products to Air King for repair or replacement. Air King will pay return shipping charges from Air King following warranty repairs or replacement

ANY AND ALL WARRANTIES, EXPRESSED OR IMPLIED (INCLUDING, WITHOUT LIMITATION, ANY IMPLIED WARRANTY OF MERCHANTABILITY), LAST FIVE YEARS FROM THE DATE OF ORIGINAL PURCHASE OR UNTIL THE ORIGINAL PURCHASER OF THE PRODUCT SELLS OR TRANSFERS THE PRODUCT, WHICHEVER FIRST OCCURS AND IN NO EVENT SHALL AIR KING'S LIABILITY UNDER ANY EXPRESS OR IMPLIED WARRANTY INCLUDE (I) INCIDENTAL OR CONSEQUENTIAL DAMAGES FROM ANY CAUSE WHATSOEVER, OR (II) REPLACEMENT OR REPAIR OF ANY HOUSE FUSES, CIRCUIT BREAKERS OR RECEPTACLES. NOTWITHSTANDING ANYTHING TO THE CONTRARY, IN NO EVENT SHALL AIR KING'S LIABILITY UNDER ANY EXPRESS OR IMPLIED WARRANTY EXCEED THE PURCHASE PRICE OF THE PRODUCT AND ANY SUCH LIABILITY SHALL TERMINATE UPON THE EXPIRATION OF THE WARRANTY PERIOD.

Some states and provinces do not allow limitations on how long an implied warranty lasts, or the exclusion or limitation of incidental or consequential damages, so these exclusions or limitations may not apply to you. This warranty gives you specific legal rights. You may also have other rights which vary from state to state and province to province. Proof of purchase is required before a warranty claim will be accepted.

CUSTOMER SERVICE:

Toll-Free (800) 465-7300

Our Customer Service team is available to assist you with product questions, service center locations, and replacement parts. They can be reached Monday through Friday, 8am-4pm Eastern. Please have your model number available, as well as the type and style (located on the label inside of your product).

Please do not return product to place of purchase.

www.airkinglimited.com

PARTS FOR DISCONTINUED, OBSOLETE AND CERTAIN OTHER PRODUCTS MAY NOT BE AVAILABLE. DUE TO SAFETY REASONS, MANY ELECTRONIC COMPONENTS AND MOST HEATER COMPONENTS ARE NOT AVAILABLE TO CONSUMERS FOR INSTALLATION OR REPLACEMENT.

Installer: _____

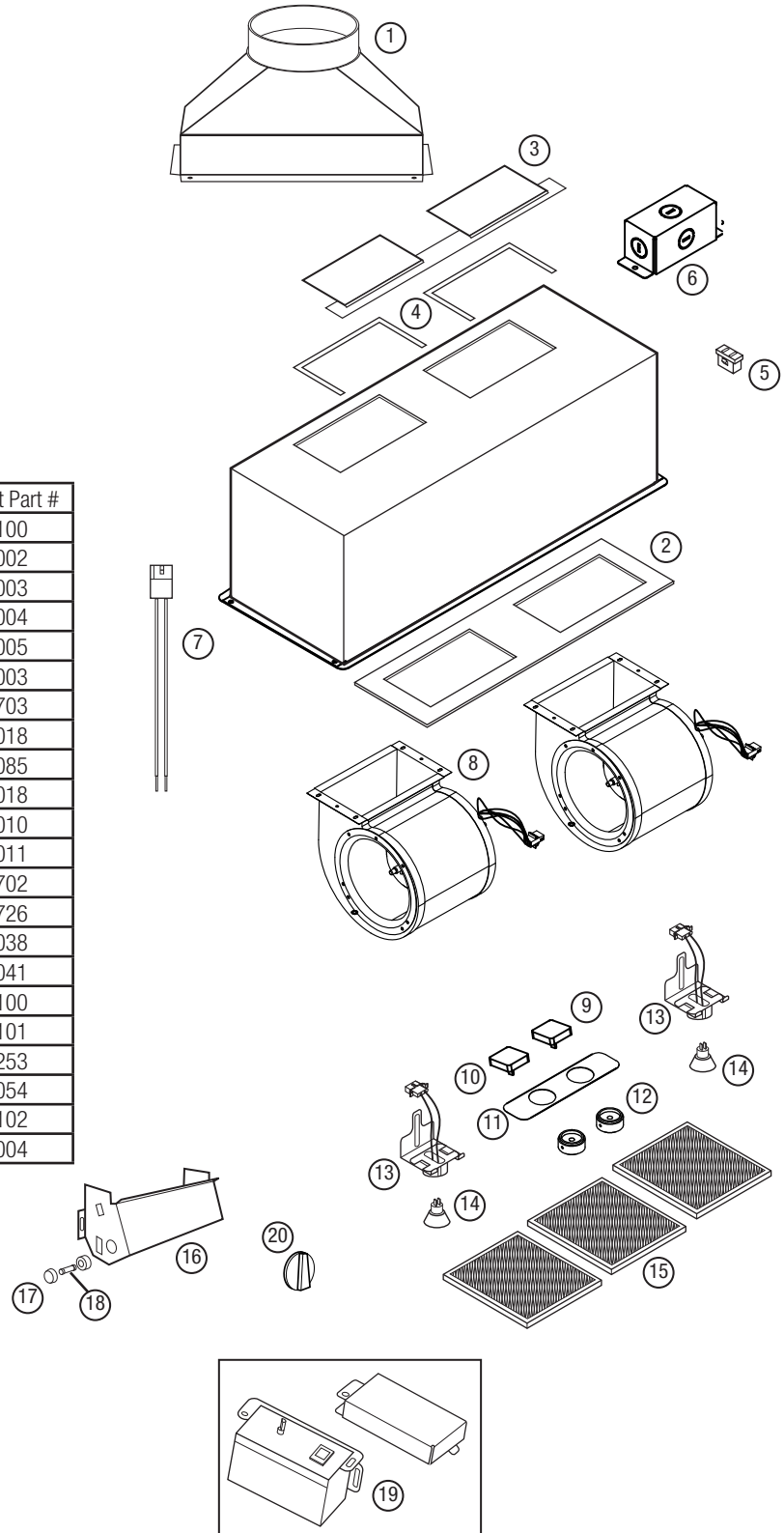
Installation Date: _____

Place of Purchase: _____

Model Number: _____

REPLACEMENT PARTS DIAGRAM

#	Qty.	Description	Replacement Part #
1	1	Collar Assembly	5S5299100
2	1	Blower Plate	5S1157002
3	1	Damper Assembly	5S1157003
4	1	Damper Gasket	5S1157004
5	1	Receptacle Assembly	5S1157005
6	1	Wire Compartment	5S1137003
7	1	Incoming Power Harness	5S9199703
8	2	Blower Assembly	5S1140018
9	1	Fan Switch	5S1144085
10	1	Light Switch	5S4199018
11	1	Switch Plate	5S1142010
12	2	Knob	5S1142011
13	2	GU10 Lamp Holder Assembly	5S1137702
14	2	7 Watt LED Lamp (LE600A, LE600)	5S1999726
	2	50 Watt Halogen Lamp (L600)	5S1137038
15	3	Grease Filters	5S1137041
16	1	Wire Assembly (LE600, L600)	5S1157100
	1	Wire Assembly (LE600A)	5S1157101
17	1	Fuse Holder	5S1999253
18	1	Fuse	5S1111054
19	1	Speed Control Assembly (LE600A)	5S1157102
20	1	Knob (LE600A)	5S1420004



NOTES

INSTRUCTIONS IMPORTANTES – MODE D'EMPLOI

Modèles: LE600A, LE600, L600

Air King
Ventilation Products®

Unité de puissance



LIRE ET CONSERVER CES INSTRUCTIONS

LIRE SOIGNEUSEMENT AVANT DE TENTER D'ASSEMBLER, INSTALLER, OPÉRER OU DE RÉPARER LE PRODUIT DÉCRIT. PROTÉGEZ VOUS-MÊME ET LES AUTRES EN OBSERVANT TOUTE L'INFORMATION DE SÉCURITÉ. FAILLIR À SE CONFORMER AUX INSTRUCTIONS PEUT RÉSULTER EN BLESSURE PERSONNELLE GRAVE ET/OU EN DOMMAGE À LA PROPRIÉTÉ.

CONSERVER CES INSTRUCTIONS POUR RÉFÉRENCES FUTURES.



INSTRUCTIONS GÉNÉRALES DE SÉCURITÉ

Lors de l'utilisation d'appareils électriques, des précautions de base doivent toujours être suivies pour réduire les risques d'incendie, de choc électrique et de blessures corporelles, incluant ce qui suit:



AVERTISSEMENT : POUR RÉDUIRE LES RISQUES D'INCENDIE, DE CHOC ÉLECTRIQUE OU DE BLESSURES PERSONNELLES OBSERVER CE QUI SUIT:

- Utiliser cette unité seulement de la manière pour laquelle le fabricant l'a conçu. Si vous avez des questions, veuillez contacter le fabricant.
- Avant d'effectuer un service ou de nettoyer l'unité, couper l'alimentation électrique dans le panneau de distribution et verrouiller le dispositif de déconnexion afin d'éviter que l'alimentation ne revienne accidentellement. Lorsque le dispositif ne peut être verrouillé, fixer solidement un avis d'avertissement, tel qu'une étiquette, au panneau de distribution.



AVERTISSEMENT : POUR RÉDUIRE LES RISQUES D'INCENDIE, DE CHOC ÉLECTRIQUE OU DE BLESSURES PERSONNELLES OBSERVER CE QUI SUIT:

- Le travail d'installation et le câblage électrique doivent être effectués par une(des) personne(s) qualifiée(s) en conformité avec tous les codes et normes applicables, incluant la construction relative aux incendies.
- De l'air en quantité suffisante est requis pour la bonne combustion et l'évacuation de gaz par le conduit (cheminée) provenant d'équipement de brûlage au combustible pour prévenir un refoulement. Suivre les directives du fabricant de l'équipement de chauffage et les normes de sécurité telles que celles publiées par la National Fire Protection Association (NFPA) et de la American Society for Heating, Refrigeration, and Air Conditioning Engineers (ASHRAE), et de celles des autorités locales du code.
- Lorsque vous coupez ou percez un mur ou un plafond, prenez garde de ne pas endommager les fils électriques ou tout appareil qui pourrait être dissimulé.



AVERTISSEMENT : POUR RÉDUIRE LES RISQUES D'INCENDIE ET POUR ÉVACUER L'AIR ADÉQUATEMENT, ASSUREZ-VOUS D'ÉVACUER L'AIR VERS L'EXTÉRIEUR – NE PAS ÉVACUER L'AIR DANS DES ESPACES DANS LES MURS, LES PLAFONDS OU LES GRENIERS, LES GALERIES TECHNIQUES OU LES GARAGES.



AVERTISSEMENT : POUR USAGE DE VENTILATION GÉNÉRALE EXCLUSIVEMENT. NE PAS UTILISER POUR ÉVACUER DU MATÉRIEL ET DES VAPEURS DANGEREUSES OU EXPLOSIVES.

- Les ventilateurs avec conduits doivent toujours être évacués vers l'extérieur.
- Cette unité doit être mise à la terre.
- Pour éviter des dommages aux roulements des moteurs et/ou des hélices bruyantes ou déséquilibrées, empêcher la poussière de cloison sèche, poussière de construction, etc., d'atteindre l'unité de puissance.
- Lire toutes les instructions avant d'installer ou d'utiliser la hotte de cuisine.



AVERTISSEMENT : POUR RÉDUIRE LES RISQUES D'INCENDIE OU DE CHOC ÉLECTRIQUE, NE PAS UTILISER CE VENTILATEUR AVEC UN RÉGULATEUR DE VITESSE ÉLECTRONIQUE.



AVERTISSEMENT : POUR RÉDUIRE LES RISQUES D'INCENDIE DE GRAISSE SUR LE DESSUS DE LA CUISINIÈRE:

- Ne jamais laisser les unités de surface à des degrés élevés sans surveillance. Les débordements par bouillonnement produisent de la fumée et des débordements graisseux qui peuvent s'enflammer. Chauffer les huiles lentement à des degrés faibles ou modérés.
- Toujours mettre la hotte EN MARCHÉ lors de cuisson à haute température ou lors de flambage de nourriture (par ex., des Crêpes Suzette, de Cerises Jubilées, steak flambé, etc.)
- Nettoyer les ventilateurs d'évacuation fréquemment. Aucune accumulation de graisse ne devrait être tolérée sur les filtres du ventilateur.
- Utiliser des poêlons de taille appropriée. Toujours utiliser les batteries de cuisine appropriées pour la taille de l'élément de surface.



AVERTISSEMENT : POUR RÉDUIRE LES RISQUES DE BLESSURES PERSONNELLES DANS L'ÉVENTUALITÉ D'UN FEU DE GRAISSE SUR LA SURFACE DE CUISSON, SUIVRE LES INDICATIONS SUIVANTES:

- ÉTOUFFER LES FLAMMES avec un couvercle bien ajusté, une tôle à biscuits, ou un cabaret de métal, puis, mettre le gril hors fonction. PRENEZ SOIN D'ÉVITER LES BRÛLURES. Si les flammes ne s'éteignent pas immédiatement, ÉVACUER ET APPELER LE SERVICE DES INCENDIES.
- NE JAMAIS SAISIR UN POÊLON EN FLAMME – vous pourriez être brûlé.
- NE PAS UTILISER DE L'EAU, incluant les linges à vaisselle ou les serviettes mouillées – il en résulterait une violente explosion de vapeur.
- Utiliser un extincteur SEULEMENT SI:
 - Vous savez que vous avez un extincteur de classe ABC, et que vous savez déjà comment l'opérer.
 - Le feu est petit et contenu dans la zone où il a commencé.
 - On appelle le service des incendies.
 - Vous pouvez combattre l'incendie avec une sortie derrière vous.



AVERTISSEMENT : POUR RÉDUIRE LES RISQUES D'INCENDIE, UTILISER UNIQUEMENT DES CONDUITS EN MÉTAL.



AVERTISSEMENT : LA CANALISATION DE CE VENTILATEUR À L'EXTÉRIEUR DU BÂTIMENT A UN EFFET IMPORTANT SUR LE FLUX D'AIR, LE BRUIT ET LA CONSOMMATION D'ÉNERGIE DU VENTILATEUR. UTILISEZ LA ROUTE DE CANALISATION LA PLUS COURTE ET LA PLUS DROITE POSSIBLE POUR UNE MEILLEURE PERFORMANCE, ET ÉVITEZ D'INSTALLER LE VENTILATEUR AVEC DES CONDUITS PLUS PETITS QUE RECOMMANDÉ. L'ISOLATION AUTOUR DES CONDUITS PEUT RÉDUIRE LA PERTE D'ÉNERGIE ET EMPÊCHER LE DÉVELOPPEMENT DE MOISSURES. IL SE PEUT QUE LES VENTILATEURS INSTALLÉS AVEC DES CONDUITS EXISTANTS N'ATTEIGNENT PAS LEUR DÉBIT D'AIR NOMINAL.

CONSERVER CES INSTRUCTIONS

INSTRUCTIONS D'INSTALLATION



AVERTISSEMENT : ASSUREZ-VOUS QUE L'ALIMENTATION EST COUPÉE AU PANNEAU DE SERVICE AVANT DE COMMENCER L'INSTALLATION.

SECTION 1

Préparation de la unité de puissance

1. Unpack hood from the carton and confirm that all pieces are present. In addition to the range hood you should have:
1. Sortir la hotte de son emballage et confirmer que toutes les pièces sont présentes. En plus de la hotte, vous devriez avoir :
 - 1 - Collet de conduit
 - 1 - Compartiment à câblage
 - 3 - Filtres à graisses en aluminium (livré installés)
 - 2 - Lampes
 - 1 - Feuillet d'instruction/de sécurité

REMARQUE : Certaines hottes de cuisine peuvent être livrées avec une pellicule protectrice en plastique collée sur le dessous de l'unité. Il est recommandé de laisser cette pellicule en place durant l'installation pour la protection contre les égratignures. Enlever une fois l'installation complétée.

SECTION 2

Préparation du secteur



AVERTISSEMENT : ASSUREZ-VOUS QUE L'ALIMENTATION EST COUPÉE AU PANNEAU DE SERVICE AVANT DE COMMENCER L'INSTALLATION.



AVERTISSEMENT : LORS DE DECOUPE OU DE PERÇAGE DANS UN MUR NE PAS ENDOMMAGER DE FILAGÉ ELECTRIQUE OU AUTRES UTILITES DISSIMULEES.

1. La plupart des codes de bâtiments exigent un matériel non-combustible au-dessus de la surface de cuisson. Si vous avez le bois ou un autre matériel combustible sur le fond de vos cabinets, on vous recommande d'utiliser le revêtement facultatif de hotte (voyez à la section 3). Si vous avez un matériel non-combustible, faites un trou profond de 26.88 po sur 10 po dans le cabinet ou le panneau où l'unité d'alimentation sera montée (**Figure 1**).

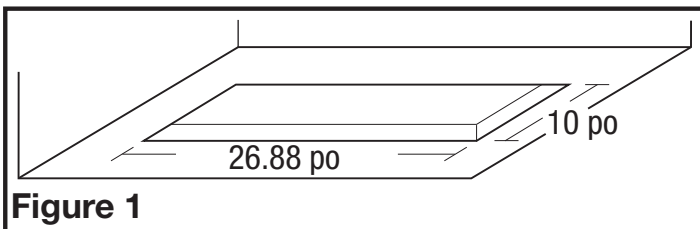


Figure 1

REMARQUE : La hotte doit être montée à un minimum de 24 po et à un maximum de 36 po de la surface de cuisson.

SECTION 3

Revêtement facultatif de la hotte



AVERTISSEMENT : ASSUREZ-VOUS QUE LA SURFACE SUR LAQUELLE VOUS INSTALLEZ L'UNITÉ DE PUISSANCE EST CAPABLE DE SUPPORTER LE POIDS DE L'UNITÉ. AUTREMENT VOUS AUREZ BESOIN DE RENFORCER CETTE RÉGION.

1. Fixez le revêtement à l'armature ou au panneau fait sur mesure du cabinet en utilisant trois vis sur chaque extrémité du revêtement et 3 vis de chaque côté du dessus du revêtement (**Figure 2**).

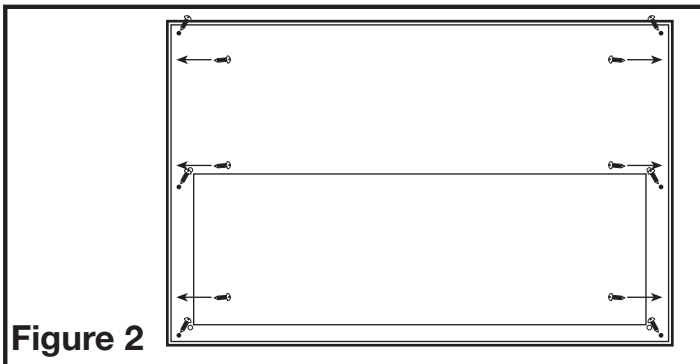


Figure 2

SECTION 4

Installation de l'encastrement

2. Insérez l'unité de puissance dans le trou et fixez-la au revêtement utilisant les vis fournies avec le revêtement (**Figure 3**).

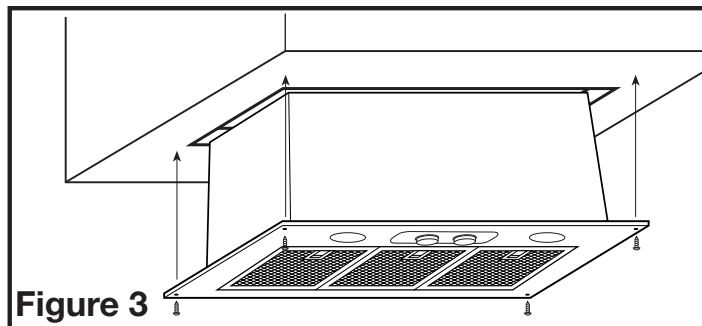


Figure 3

REMARQUE : Si un revêtement Air King facultatif n'est pas utilisé ; utilisez le matériel approprié pour installer l'unité en place, en veillant à vous conformer à tous les codes locaux et nationaux de bâtiment.



AVERTISSEMENT : ASSUREZ-VOUS QUE LA SURFACE SUR LAQUELLE VOUS INSTALLEZ L'UNITÉ DE PUISSANCE EST CAPABLE DE SUPPORTER LE POIDS DE L'UNITÉ. AUTREMENT VOUS AUREZ BESOIN DE RENFORCER CETTE RÉGION.

SECTION 5

Conduits



AVERTISSEMENT : TOUS LES CONDUITS DOIVENT ÊTRE CONFORMES AUX CODES LOCAL ET NATIONAL DU BÂTIMENT.

REMARQUE : La canalisation de ce ventilateur à l'extérieur du bâtiment a un effet important sur le flux d'air, le bruit et la consommation d'énergie du ventilateur. Utilisez la route de canalisation la plus courte et la plus droite possible pour une meilleure performance, et évitez d'installer le ventilateur avec des conduits plus petits que recommandé. L'isolation autour des conduits peut réduire la perte d'énergie et empêcher le développement de moisissures. Il se peut que les ventilateurs installés avec des conduits existants n'atteignent pas leur débit d'air nominal.



AVERTISSEMENT : POUR RÉDUIRE LES RISQUES D'INCENDIE UTILISER UNIQUEMENT DES CONDUITS EN MÉTAL.

1. Installez le registre inclus dans la hotte à l'aide de trois des vis à pointe émaillée n° 6 fournies. Décollez le dos du joint inclus et, tout en tenant les amortisseurs en position verticale, installez le joint sur le capot. Assurez-vous d'aligner les trous et les coupures rectangulaires pour vous assurer que les amortisseurs s'ouvrent facilement. Installez le collier de conduit inclus dans la hotte avec quatre des vis à pointe émaillée n° 6 fournies. (**Figure 4**). Assurez-vous que les joints des conduits et les pénétrations extérieures sont scellés avec du mastic ou tout autre matériau similaire pour créer un passage d'air étanche afin de minimiser la perte ou le gain de chaleur et réduire le risque de condensation. Placez / enveloppez l'isolant autour du conduit et / ou ventilateur afin de minimiser la possibilité d'accumulation de condensation à l'intérieur du conduit, ainsi que la perte ou le gain de chaleur (**Figure 5**).

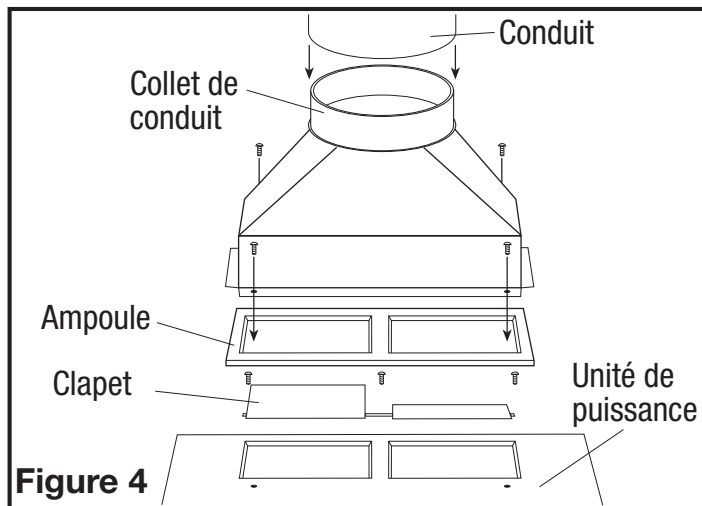


Figure 4

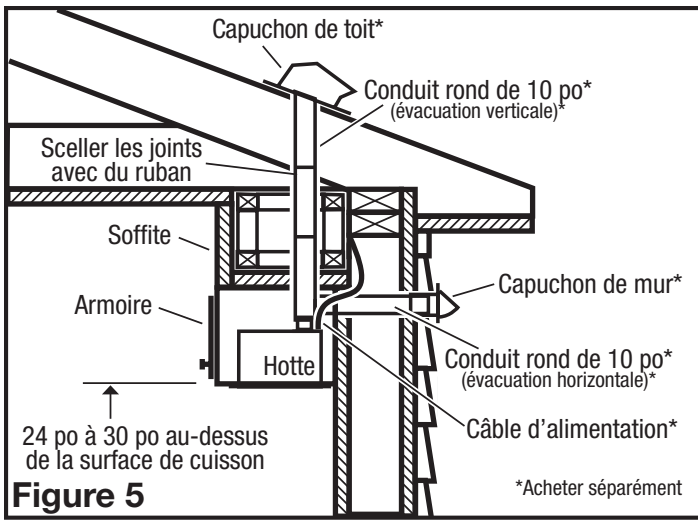


Figure 5

2. Quand il y a accès au dessus de l'unité, reliez la canalisation au collier de conduit et fixez-la en place en utilisant un ruban adhésif pour sceller tous les joints (Figure 4).
3. Quand il n'y a aucun accès au dessus de la hotte, abaissez soigneusement le conduit en métal par le trou à la base de la hotte. Glissez ce conduit au-dessus du collier de conduit. Assurez-vous que l'assemblage de la pièce d'ajustage / du clapet entre dans la canalisation. Scellez le raccordement avec le ruban adhésif de conduit.

REMARQUE : Pour réaliser la circulation d'air appropriée, vous avez besoin d'un conduit circulaire de 10 po. Le raccord de conduit est de 9,8 po de diamètre (pour un conduit circulaire de 10 po). Pour garantir la meilleure qualité d'air et performance acoustique, il est recommandé que la longueur de la canalisation et le nombre de coudes soient réduits au minimum, que le rayon de chaque coude soit aussi grand que possible pour l'installation, et que des conduits rigides soient utilisés.

AVERTISSEMENT : TOUJOURS ÉVACUER LE VENTILATEUR VERS L'EXTÉRIEUR AU TRAVERS DE CHAPEAU MURAL OU DE TOIT.

SECTION 6

Câblage

AVERTISSEMENT : TOUTES LES CONNEXIONS ÉLECTRIQUES DOIVENT ÊTRE FAITES EN CONFORMITÉ AVEC LES CODES LOCAUX, LES ORDONNANCES OU LE CODE ÉLECTRIQUE NATIONAL. SI VOUS N'ÊTES PAS FAMILIER AVEC LES MÉTHODES D'INSTALLATION DE CÂBLAGE ÉLECTRIQUE, RECOURREZ AUX SERVICES D'UN ÉLECTRICIEN QUALIFIÉ.

3. Examinez le couvercle du compartiment de câblage et sélectionnez l'entrée des câbles la plus appropriée puis retirez l'alvéole défonçable. Passez le câble d'alimentation dans l'ouverture et installez un serre-câble approprié. Connectez les deux câbles blancs lâches de la hotte au câble blanc de l'alimentation, et le câble noir lâche de la hotte au câble noir de l'alimentation. Branchez le fil de mise à la terre (vert ou dénudé) du bloc d'alimentation à la vis de mise à la terre verte de la hotte. Suivez les méthodes homologuées pour effectuer toutes les connexions (Figure 6).

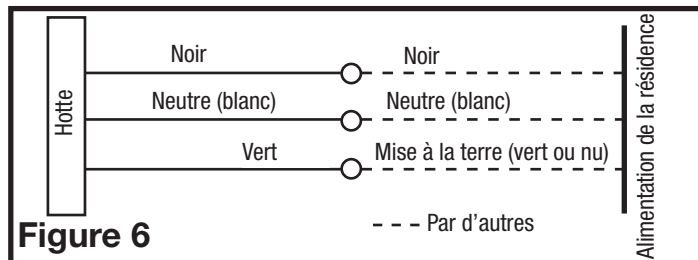


Figure 6

2. Fixez le compartiment de câblage à l'unité de puissance avec deux des vis #6 à tête épointée comprises (Figure 7).

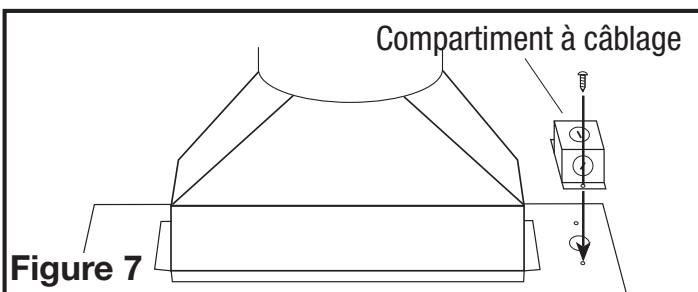
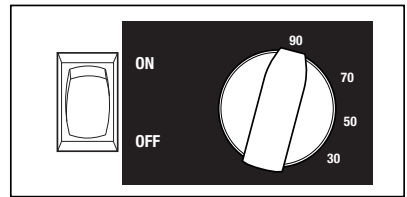


Figure 7

SECTION 7

Réglage de la vitesse (Modèle LE600A seulement)

1. Votre hotte est équipée d'un régulateur de vitesse qui permet à la hotte de fonctionner en continu au niveau prédéfini de CFM. Pour définir le niveau de CFM, déplacer le cadran rotatif situé à l'intérieur du compartiment de fil à la CFM souhaitée.
2. Repérez l'interrupteur à bascule portant la mention «ASHRAE 62.2» sur la couverture de contrôle de vitesse et assurez-vous qu'il est en position MARCHÉ. Pour désactiver la fonction de la vitesse en continu, réglez le commutateur à la position ARRÊT.



AVERTISSEMENT : CHANGER L'INTERRUPTEUR A BASCULE DE LA VITESSE EN CONTINU A LA POSITION ARRÊT NE TOURNE PAS L'ALIMENTATION PRINCIPALE DE LA HOTTE À LA POSITION ARRÊT.

SECTION 8

Amortisseur motorisé

Un registre motorisé optionnel peut être connecté à l'appareil. Le registre est connecté via un transformateur 24V qui se branche dans le réceptacle de l'appareil (Figure 8).

Exigences d'alimentation électrique: 120V/60Hz/ Max 15W

REMARQUE: Réceptacle à utiliser UNIQUEMENT pour le registre motorisé Air King.

REMARQUE: Assurez-vous de faire référence aux instructions fournies avec le registre motorisé avant d'installer ou de faire fonctionner.

Opération

1. Une fois installé, la prise de courant sera mise sous tension chaque fois que l'appareil est réglé sur une vitesse élevée, moyenne ou faible. Lorsque le contrôle de vitesse est désactivé, le registre se ferme.

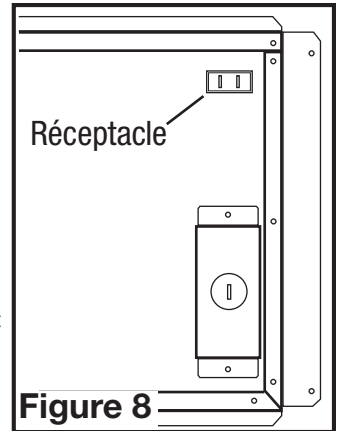


Figure 8

SECTION 9

Terminer l'installation

1. Retirez toute pellicule plastique collée sur l'unité de puissance.
2. Installez lampes en insérant la lampe dans la douille et en tournant dans le sens des aiguilles d'une montre légèrement jusqu'à ce qu'elle soit fermement en place. NE serrez PAS plus que nécessaire.
LE600A, LE600: Deux lampes LED GU10 Base 7W au maximum
L600: Deux lampes Halogen GU10 Base 50W au maximum
3. Tournez les interrupteurs à leur position Éteinte (●) et rétablissez l'alimentation. Testez que la lumière et le ventilateur fonctionnent adéquatement.
4. S'il y a n'importe quel bruit de vibration, vérifiez la source et essayez de serrer les attaches, d'ajuster la bande pour faire un raccordement ou un joint plus serré, ou vérifiez que le clapet de collier de hotte, le clapet de mur ou le clapet de plafond s'ouvrent correctement.

SECTION 10

Opération

Contrôles

Votre hotte de cuisinière est équipée avec deux interrupteurs rotatifs dont l'un contrôle l'éclairage et l'autre contrôle la soufflante du ventilateur d'évacuation. L'interrupteur de l'éclairage est un interrupteur de rotatif. Le commutateur de vitesse du ventilateur a quatre positions, Éteinte, Haute, Moyenne, et Basse (Figure 9).



Figure 9

SECTION 11

Maintenance

AVERTISSEMENT : ASSUREZ-VOUS QUE L'ALIMENTATION EST COUPÉE AU PANNEAU DE SERVICE AVANT D'EFFECTUER UN SERVICE SUR L'UNITÉ.

Filtres

1. Des filtres anti-graisse en aluminium sont compris avec votre unité et ils doivent être lavés au moins une fois par mois. Les filtres vont au lave-vaisselle et doivent être lavés avec un détergent ou savon doux.
2. Pour retirer les filtres, tirez l'onglet de la poignée vers le bas jusqu'à ce que les filtres se dégagent de l'unité. Pour réinstaller, glissez l'onglet à l'arrière du filtre dans la fente dans l'unité. Tout en maintenant la poignée ou le filtre, soulevez le filtre en place et relâchez la poignée. Le filtre doit cliquer solidement en place (Figure 10).

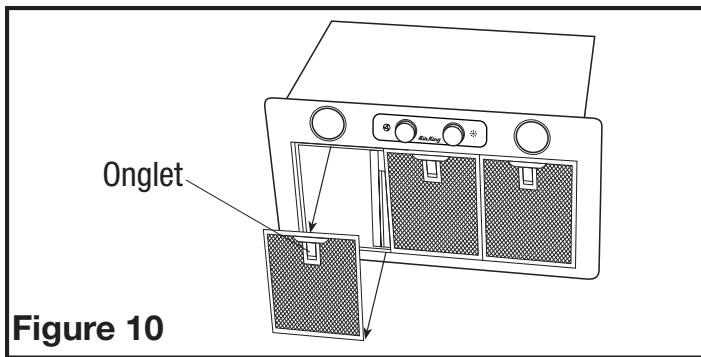


Figure 10

3. Si les filtres anti-graisse deviennent endommagés, les remplacer avec les filtres anti-graisse modèle SVGF-03 de Air King.

Remplacement des lampes

1. Pour enlever/remplacer l'ampoule, enlevez les filtres en suivant le processus indiqué ci-dessus.
2. Trouvez le support de lampe monté sur le mur arrière de la hotte (Figure 11).
3. Desserrez les écrous-papillons supérieurs & inférieurs de quelques tours en tournant dans le sens contraire des aiguilles d'une montre (desserrez seulement, n'enlevez pas les écrous ou le support).
4. Abaissez le support de sorte que la lampe dépasse au-dessous de la face de la hotte.

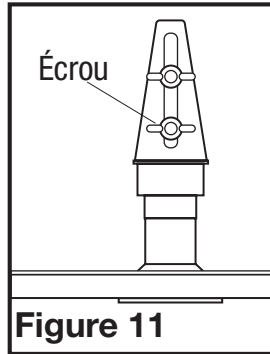


Figure 11

5. Enlevez la lampe en tournant légèrement dans le sens contraire des aiguilles d'une montre et retirez de la douille. Remplacez par une lampe GU10 Base.
6. L'installation est l'inverse du démontage.

Fusible

Pour remplacer le fusible, tournez le bouchon du fusible situé à côté du connecteur de fil dans le sens des aiguilles d'une montre et retirez-le. Remplacez par un fusible Bussman MDA 125-Volt, 1.5 ampères au maximum. Réinstallez le fusible de nouveau dans la hotte.

Nettoyage



AVERTISSEMENT : NE PAS UTILISER D'ESSENCE, DE BENZÈNE, DE DILUANT, DE NETTOYEUR FORT, ETC., PUISQUE CEUX-CI PEUVENT ENDOMMAGER LA HOTTE DE CUISINE.

1. Nettoyez votre unité de puissance avec du détergent doux, tel que du liquide pour la vaisselle, puis séchez-le avec un chiffon doux. **NE JAMAIS UTILISER D'ABRASIF OU DE POUDRE À RÉCURER.** Séchez complètement avant de restaurer l'alimentation. **NE JAMAIS IMMERGER DES PIÈCES ÉLECTRIQUES DANS L'EAU.**
2. L'assemblage du ventilateur peut être passé à l'aspirateur au cas où un amas (saleté, peluche, etc.) se serait accumulé avec le temps. Le ventilateur est lubrifié en permanence et ne nécessite pas d'huile.

Guide de dépannage

Trouble	Cause possible	Solution suggérée
1. La hotte ne fonctionne pas lorsque l'interrupteur est à EN (ON).	1a. Un fusible peut être grillé ou un disjoncteur peut être déclenché. 1b. Le câblage n'est pas raccordé correctement.	1a. Remplacer le fusible ou réinitialiser le disjoncteur. 1b. Couper l'alimentation de l'unité. Vérifier que tous les fils sont raccordés.
2. La hotte fonctionne, mais l'air circule plus lentement que la normale.	2. Obstruction dans les conduits d'évacuation.	2. Vérifier pour quelque obstruction dans les conduits incluant le filtre.
3. La hotte produit un son de crécelle.	3a. Les filtres sont lâches 3b. Le raccord des conduits est lâche. 3c. Le clapet est coincé.	3a. Couper l'alimentation à l'unité. Vérifier que tous les filtres sont bien fixés. 3b. Couper l'alimentation de l'unité. Vérifier que tous les raccords des conduits sont bien serrés. 3c. Coupez le courant à l'unité. Vérifiez que le clapet s'ouvre librement.

GARANTIE LIMITÉE

CE QUE COUVRE CETTE GARANTIE : Ce produit est garanti contre tout vice de fabrication ou de matière.

COMBIEN DE TEMPS CETTE GARANTIE DURE : Cette garantie se rapporte seulement à l'acheteur original du produit et dure pendant cinq (5) années de la date de l'achat original ou jusqu'à ce que l'acheteur original du produit vend ou transfère le produit, celui qui se produit en premier.

QUE FERA AIR KING : Au cours de la période de garantie, Air King, à son choix, réparera ou remplacera n'importe quelle partie ou pièces qui s'avèrent défectueuses ou remplacera le produit entier par le même modèle ou un modèle comparable.

CE QUE CETTE GARANTIE NE COUVRE PAS : Cette garantie ne s'applique pas si le produit était endommagé ou arrête de fonctionner en raison d'un accident, d'une mauvaise manipulation ou opération, de dommages d'expédition, d'abus, de mauvaise utilisation, de réparation faite ou tentées non autorisées. Cette garantie ne couvre pas les coûts d'expédition pour le retour des produits à Air King pour la réparation ou le remplacement. Air King payera les frais d'expédition de retour de Air King après les réparations ou le remplacement de garantie.

TOUTES LES GARANTIES, EXPRESSES OU TACITES (COMPRENANT, SANS LIMITATION, TOUTE GARANTIE TACITE DE VALEUR MARCHANDE), DURENT CINQ ANNÉES DE LA DATE DE L'ACHAT ORIGINAL OU JUSQU'À CE QUE L'ACHETEUR ORIGINAL DU PRODUIT VEND OU TRANSFÈRE LE PRODUIT, CELUI QUI SE PRODUIT EN PREMIER ET DANS AUCUN CAS AIR KING N'ASSUME AUCUNE RESPONSABILITÉ EXPRESSE OU TACITE POUR (I) DES DOMMAGES ACCIDENTELS OU INDIRECTS DE N'IMPORTE QUELLE CAUSE, OU (II) LE REMPLACEMENT OU LA RÉPARATION DE TOUTS FUSIBLES, DISJONCTEURS OU RÉCEPTACLES DE MAISON. MALGRÉ N'IMPORTE QUOI À L'EFFET CONTRAIRE, DANS AUCUN CAS LA RESPONSABILITÉ D'AIR KING, SOUS UNE GARANTIE EXPRESSE OU TACITE, NE DÉPASSERA LE PRIX D'ACHAT DU PRODUIT ET UNE TELLE RESPONSABILITÉ SE TERMINERA AVEC L'EXPIRATION DE LA PÉRIODE DE GARANTIE.

Certains états et provinces ne permettent pas les limitations de la période de garantie, ou l'exclusion ou la restriction des dommages accidentels ou indirects, et, par conséquent, les présentes restrictions ne peuvent pas s'appliquer. La présente garantie vous donne des droits légaux spécifiques et peut-être certains autres droits qui peuvent varier selon la province. La preuve d'achat est exigée avant qu'une réclamation de garantie ne soit acceptée.

SERVICE À LA CLIENTÈLE :

Sans frais (800) 465-7300

Notre équipe de service à la clientèle est disponible pour vous aider avec des questions sur le produit, les adresses des centres de service, et les pièces de rechange. Vous pouvez la rejoindre, du lundi au vendredi, de 8h:00 à 16h:00 HNE. Veuillez avoir le numéro du modèle disponible, ainsi que le genre et le style (qui se trouvent sur l'étiquette à l'intérieur de votre produit).

Veuillez ne pas renvoyer le produit à l'endroit de l'achat.

www.airkinglimited.com

IL SE PEUT QUE LES PIÈCES POUR LES PRODUITS DISCONTINUÉS, OBSOLÈTES ET AUTRES PRODUITS NE SOIENT PAS DISPONIBLES. POUR DES RAISONS DE SÛRETÉ, BEAUCOUP DE COMPOSANTS ÉLECTRONIQUES ET LA PLUPART DES COMPOSANTS DES CHAUFFAGES NE SONT PAS À LA DISPOSITION DES CONSOMMATEURS POUR L'INSTALLATION OU LE REMPLACEMENT.

Installateur : _____

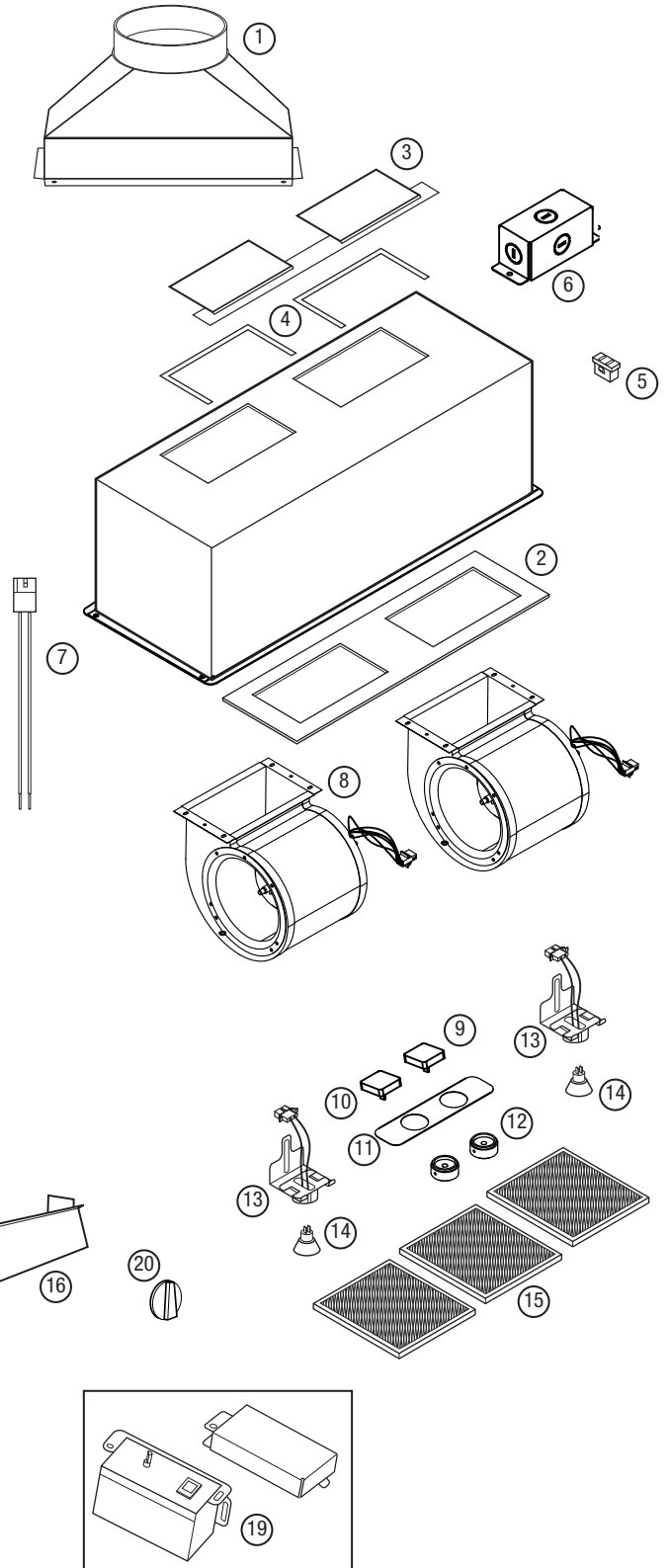
Date d'installation : _____

Endroit de l'achat : _____

Numéro de modèle : _____

TABLEAU DES PIÈCES DE RECHANGE

#	Qté.	Description	# de pièce de remplacement
1	1	Assemblage de collier	5S5299100
2	1	Plaque de ventilateur	5S1157002
3	1	Assemblage de clapet	5S1157003
4	1	Joint de clapet	5S1157004
5	1	Assemblage de réceptacle	5S1157005
6	1	Compartiment à câblage	5S1137003
7	1	Faisceau d'alimentation d'arrivée	5S9199703
8	2	Assemblage de ventilateur	5S1140018
9	1	Interrupteur du moteur	5S1144085
10	1	Interrupteur du lampe	5S4199018
11	1	Plaque d'interrupteur	5S1142010
12	2	Bouton	5S1142011
13	2	Assemblage de support de lampe GU10	5S1137702
14	2	Lampe de 7 watts LED (LE600A, LE600)	5S1999726
	2	Lampe de 50 watts Halogen (L600)	5S1137038
15	3	Filtre anti-graisse	5S1137041
16	1	Assemblage de fils (LE600, L600)	5S1157100
	1	Assemblage de fils (LE600A)	5S1157101
17	1	Porte-fusible	5S1999253
18	1	Fusible	5S1111054
19	1	Ensemble de réglage de la vitesse (LE600A)	5S1157102
20	1	Bouton (LE600A)	5S1420004



REMARQUE