



SPECIFICATIONS
LE600A
POWER PACK

HVI CERTIFIED
 High Speed 600 CFM/4.0 Sones @ 0.10" SP.
 Medium Speed 400 CFM/2.5 Sones @ 0.10" SP.
 Low Speed 200 CFM/0.3 Sones @ 0.03" SP.

Continuous Performance @ 0.03" SP.
 30 CFM/<0.3 Sones, 50 CFM/<0.3 Sones
 70 CFM/<0.3 Sones, 90 CFM/<0.3 Sones

Dimensions

Overall bottom projection - 11"
 Height - 11"
 Width - 28" (for 30" canopy)

Body

Galvanized steel body with stainless steel fascia. Install at least 24" above the cooking surface.

Adjustable Capacity Motor

4 capacity settings on low speed allow the fan to be set to the required exhaust rate for continuous ventilation. Low speed set points include: 30 50 70 or 90 CFM
 High speed rapidly clears the air of moisture, odors or other contaminants. Ideal for compliance with ASHRAE 62.2, LEED and other programs. Suitable for continuous operation, thermally protected, permanently lubricated, split capacitor, 120V 60 Hz. with two electronically balanced blower wheels. Internal On/Off switch allows override of continuous ventilation operation.

Lighting

2 - ENERGY STAR® certified MR16, GU10 base 6.5 watt LED lamps, 500 lumens, JA8 compliant.

Ducting

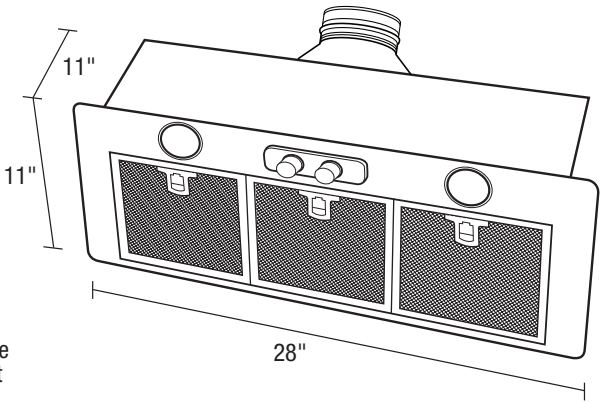
Vertical ducting: 10" round ducting with all metal model OA10VD outlet adapter and back draft damper.

Filters

Aluminum grease filters (included).

Cut Out Opening Size

Width 26 7/8"
 Depth - 10"



**BARELY AUDIBLE
CONTINUOUS SPEED OPERATION**



EXPANDED PERFORMANCE										
Air Flow - CFM	Static Pressure (inches of w.g.)						Sones @ .1 SP	Fan Speed RPM	Power Watts	Amps
	0	0.1	0.15	0.25	0.3	0.375				
High Speed	629	600	583	540	516	475	4.0	1491	181	2.0
Medium Speed	415	400	391	371	356	325	2.5	1334	132	2.0
Low Speed	210	167	146	112	93	-	0.3	666	59.5	2.0

PROJECT							ARCHITECT			
LOCATION							ENGINEER			
CONTRACTOR							SUBMITTED BY			DATE
FAN NUMBER	MODEL NUMBER	CFM	IN W.C.	RPM	WATTS	AMPS	SONES	QTY	OPTIONAL EQUIPMENT & REMARKS	



Air King: 820 Lincoln Avenue
 West Chester, Pennsylvania 19380-4466
 Tel: (610) 692-7400 • 877-304-3785
 Fax: (610) 696-8048

Canada:
 Brampton, Ontario
 Tel: 905-456-2033
 Fax: (905) 456-1015

Specifications subject to change without notice.