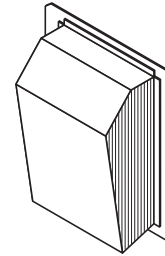


at

[rangehoods.com](http://rangehoods.com)

# SPECIFICATION SHEET

## MODEL 335 EXTERIOR BLOWER



Use this high-powered ventilator to quietly and efficiently exhaust airborne contaminants from cooking and living space.

**FEATURES:**

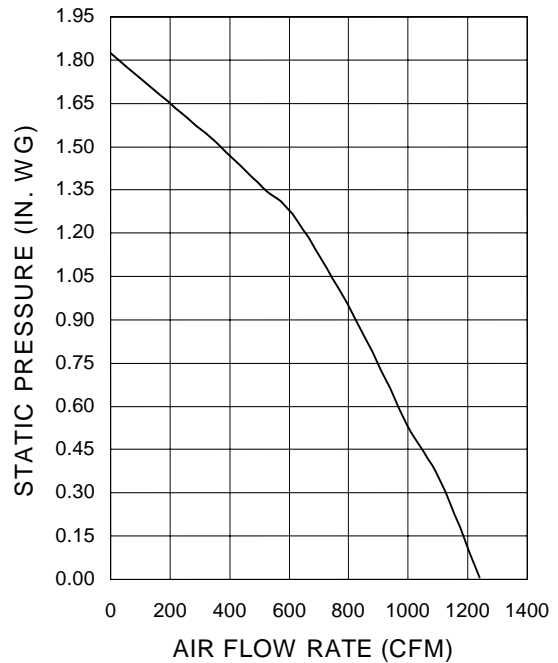
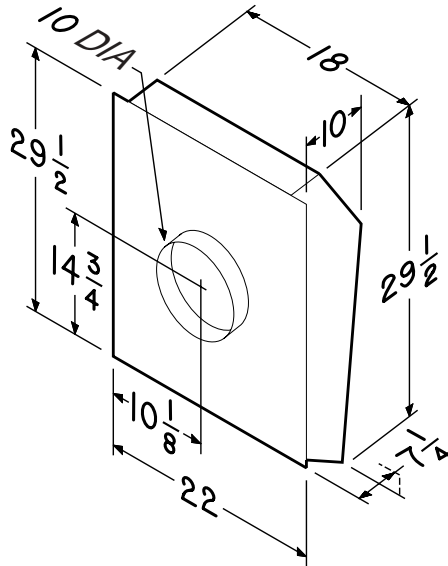
- Brushed aluminum construction
- Built-in flashing plate for roof or wall mount
- Built-in backdraft damper and birdscreen
- Easily removable cover provides quick access to blower for cleaning and servicing
- For 10" round duct
- Thermally protected, permanently lubricated, ball-bearing motor
- Speed control compatible motor
- Dynamically balanced 14" diameter backward-curved impeller
- Low RPM - quiet operation
- For use with Rangemaster 60000 Series, RM60000 Series, or 64000 Series Range Hoods

**TYPICAL SPECIFICATION**

Ventilator shall be a Broan-NuTone Model 335.  
 Ventilator shall be roof (exterior wall) mountable with a 10" round duct connector.  
 Ventilator shall be of aluminum construction.  
 Ventilator shall include an automatic backdraft damper.  
 Air delivery shall be no less than 1200 CFM, as certified by HVI.

**SPECIFICATIONS**

<b>VOLTS</b>	120
<b>AMPS</b>	3.0
<b>CFM</b>	1200
<b>DUCT</b>	10" Round



REFERENCE	QTY.	REMARKS	Project	
			Location	
			Architect	
			Engineer	
			Contractor	
			Submitted by	Date