



Additional Information for Range Hoods meeting ADA Compliance

Broan branded residential range hoods can be installed to comply with Sections 308 and 309 of ADA Guidelines, when used with appropriately mounted controls installed at 15" to 48" above the floor and control access should not require reaching over a cooking appliance.

The following range hoods can work in an ADA Compliant situation when the range hood is wired to operate from a dedicated, standard electrical wall switch. To facilitate this application, share the information on the following pages with your electrician when preparing for the installation.

**THIS PROCEDURE APPLIES TO THE RANGE HOOD SERIES
LISTED AT THE BOTTOM OF THIS PAGE**

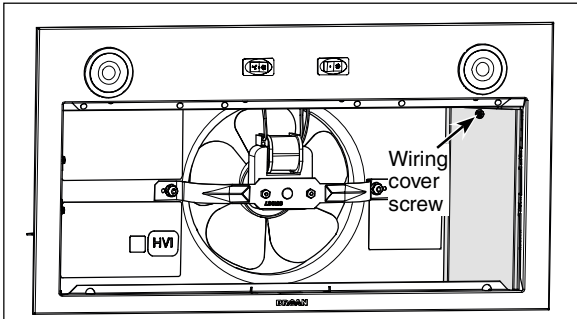
Broan: PM300SS, BBN1.

ADA HAWSK3 WIRING INSTRUCTIONS FOR BROAN PM300SS, BBN1243SS AND BBN1303SS POWERPACK INSERTS.

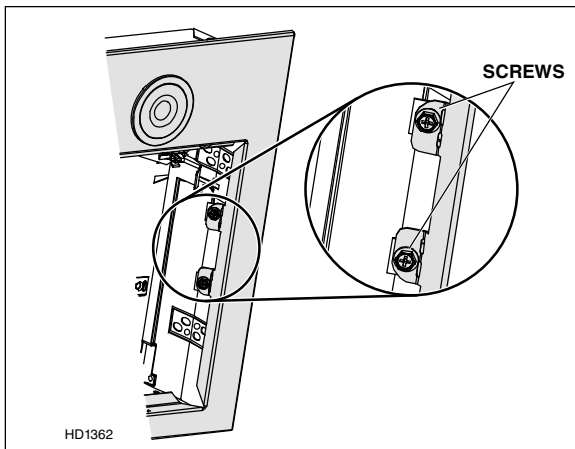
⚠ WARNING

For residential (domestic) installation only. Before proceeding, switch power off at service panel and lock service disconnecting means to prevent power from being switched on accidentally. Installation work and electrical wiring must be done by qualified person(s) in accordance with all applicable codes and standards, including fire-rated construction codes and standards. Also, it is recommended to wear safety glasses and gloves.

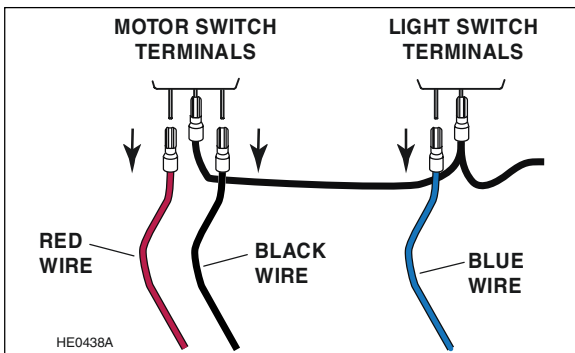
- 1 Remove and set aside filter(s) from the powerpack insert.
- 2 Disassemble the wiring cover (shaded part in illustration below) from inside the unit by removing its retaining screw. Set it aside with its screw.



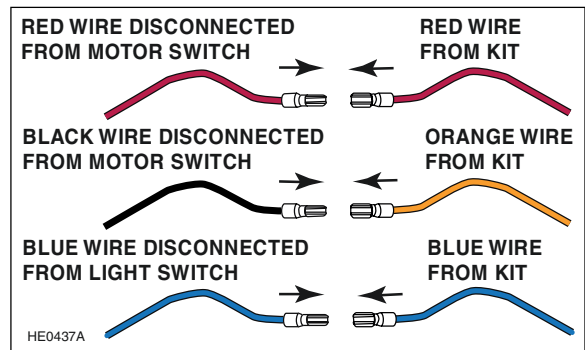
- 3 Disassemble the faceplate from the unit by removing its 4 retaining screws (two per side). Set aside the faceplate along with its screws.



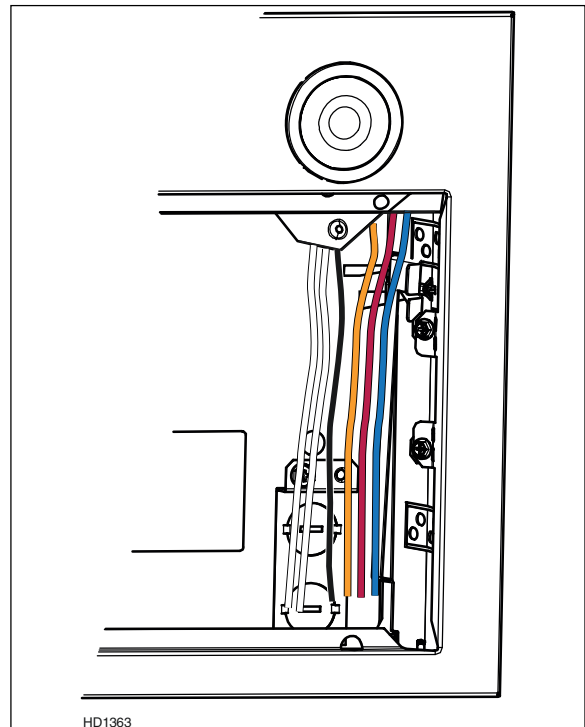
- 4 Disconnect the RED wire and the BLACK wire from motor switch terminals, and the BLUE wire from the light switch terminal.



- 5 Connect the RED wire disconnected from the motor switch to the RED wire from the kit, the BLACK wire disconnected from the motor switch to the ORANGE wire from the kit and the BLUE wire disconnected from the light switch to the BLUE wire from the kit. Route the wires to the wiring compartment area (through the hole along the BLACK and WHITE wires).

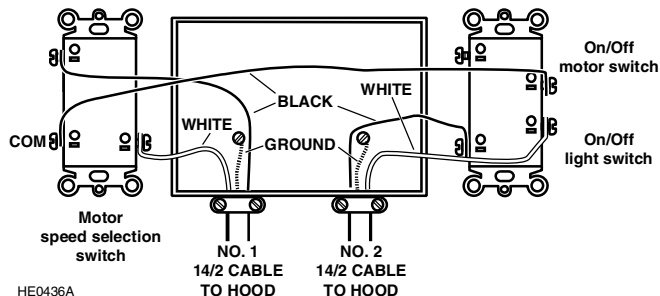
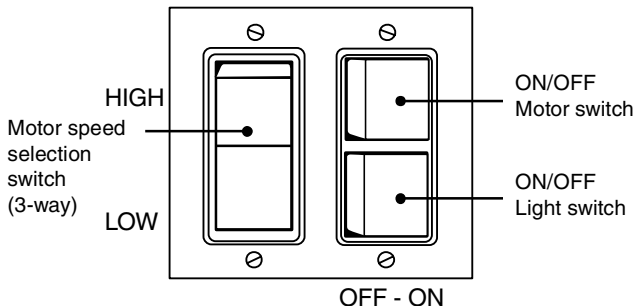


- 6 Reinstall the faceplate on the unit by clipping its retaining tabs (one per side) to the unit shell. Secure the faceplate to the unit using its 4 retaining screws (two per side). Place the RED, ORANGE and BLUE wires in the wiring compartment.



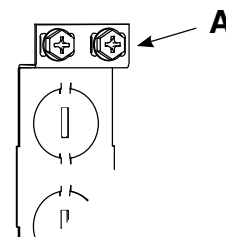
CAUTION

Only use included switches. Only use wires suitable for at least 90°C (194°F).

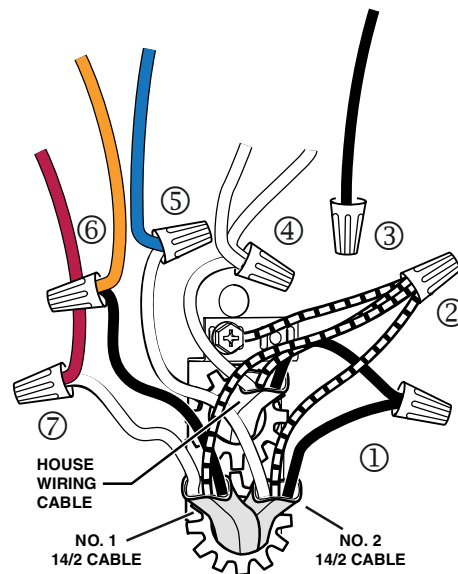


Install 2 included rocker switches at a convenient place for the user. Use two 14/2 cable to wire the switch box to the range hood (see diagram above).

- NOTES: 1. If the HCK44 Power cord kit is used to connect the unit, install the provided ground screw (A) on the unit grounding plate.
2. Use appropriate wire nuts for all connections.



- ① Punch-out the other knock-out opening. Insert both 14/2 cable coming from switches in the hood through an UL approved wire clamp. Connect BLACK wire from house wiring cable to BLACK wire from no. 2 14/2 cable.
- ② With a short ground wire (not provided), connect all ground wires together as shown at right. Connect the other end of the short ground wire to the GREEN ground screw.
- ③ Cap off the hood BLACK wire using an appropriate wire nut.
- ④ Connect WHITE wire from house wiring cable to both WHITE wires from hood.
- ⑤ Connect WHITE wire from no. 2 14/2 cable to BLUE wire (light).
- ⑥ Connect BLACK wire from no. 1 14/2 cable to ORANGE wire (high speed).
- ⑦ Connect WHITE wire from no. 1 14/2 cable to RED wire (low speed).



Once all the connections are done, reinstall the wiring compartment cover in the unit; ensuring the bottom tabs are inserted in their embossed location. Secure in place using its retaining screw

NOTE: Be careful while reinstalling the wiring cover to the hood.

CAUTION

Take care not to pinch wires while reinstalling wiring cover.

