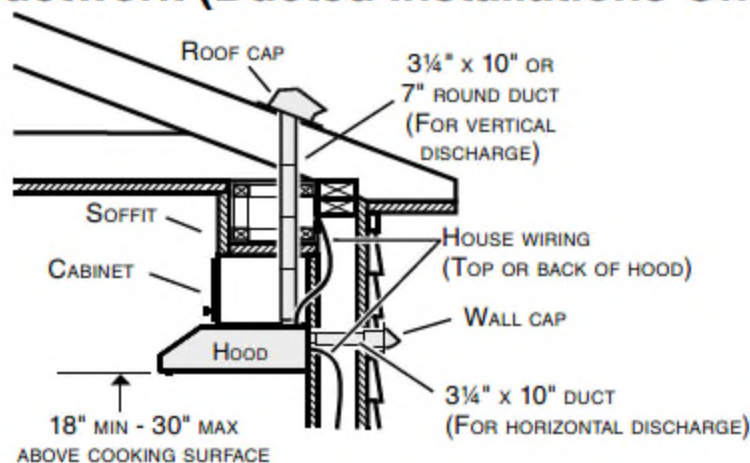


For ADA compliance installation guidelines, please type the model number into our website.

Recommended Tools and Accessories for Installation

- Measuring tape
- Phillips screwdriver no. 2
- Nut driver or socket 11/32"
- Flat blade screwdriver (to open knockout holes)
- Drill, 1/8" drill bit and 1 1/2" hole saw (to mark holes for ducting and cut electrical access hole)
- 7/64" drill bit (to drill holes for EZ1 brackets mounting screws)
- 7" round duct plate, not included with BPDC Series (for 7" round vertical ducting installation, part no.: SR680508)
- Wood shims (2) and wood screws (4) (required for standard installation to framed cabinet)
- Saw (to cut holes for ducted application)
- Sheet metal shears (ducted installation only, for duct adjustment)
- Pliers (ducted installation only, for duct adjustment)
- Metal foil duct tape (for ducted applications)
- Scissors (to cut metal foil duct tape)
- Pencil
- Wire stripper
- Strain relief, 1/2" diameter (to secure house wiring cable to the hood)
- BP87Q Damper (needed if 7-in. round duct is used)

Install Ductwork (Ducted Installations Only)



NOTE: Distances over 30" are at the installer and user discretion.

- 1] Determine whether hood will discharge vertically (3 1/4" x 10" or 7" round), or horizontally (3 1/4" x 10" only).
- 2] Decide where the ductwork will run between the hood and the outdoors.
- 3] Choose a straight, short duct run to allow the hood to perform most efficiently. Long duct runs, elbows and transitions will reduce the performance of the hood. Use as few of them as possible. When possible, use at least 2-foot straight runs before any turns. Larger ductwork may be required for best performance with longer duct runs.

NOTE: To use 6" round ducting, install a 3 1/4" x 10" to 6" round transition (not included). The performances may be affected.






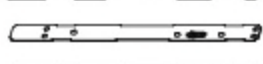




- 4] Install wall cap or roof cap (sold separately); ensure there is no leak in house insulation. Connect metal ductwork to cap and work back towards the hood location. Use 2" metal foil duct tape to seal the joints between ductwork sections.

Contents






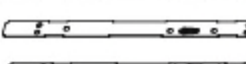



Before proceeding to the installation, check the contents of the box. If items are missing or damaged, contact the manufacturer.

Make sure that the following items are included:

BPDC1 Series

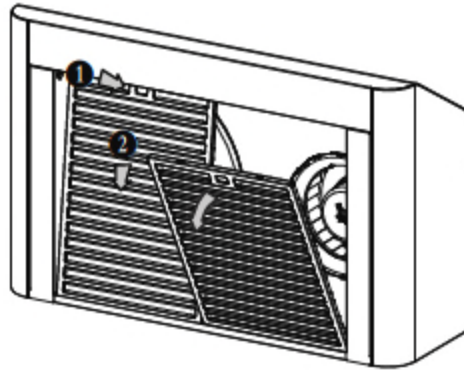
	
(2) GREASE FILTERS	(2) SHIELDED HALOGEN BULBS (50W, GU10)
	
(1) 3 1/4" x 10" DAMPER ASSEMBLY (FIND INSIDE OF HOOD)	
EZ1 COMPONENTS	
	(1) TEMPLATE FOR DUCTING (PRINTED BOTH SIDES)
	(2) INSTALLATION BRACKETS* FOR FRAMED CABINET
	(2) INSTALLATION BRACKETS* FOR FRAMELESS CABINET
* FIND EZ1 BRACKET ATTACHED INSIDE OF HOOD	
(1) PARTS BAG** CONTAINING:	
	(4) No. 8-18 x 1/2" METAL SCREWS
	(6) No. 8 x 1/2" COUNTERSUNK WOOD SCREWS
	(6) No. 8 x 5/8" RD. HD. WOOD SCREWS
	(1) BULB SUCTION CUP TOOL
** FIND PARTS BAG INSIDE OF HOOD	

BPDP1 Series

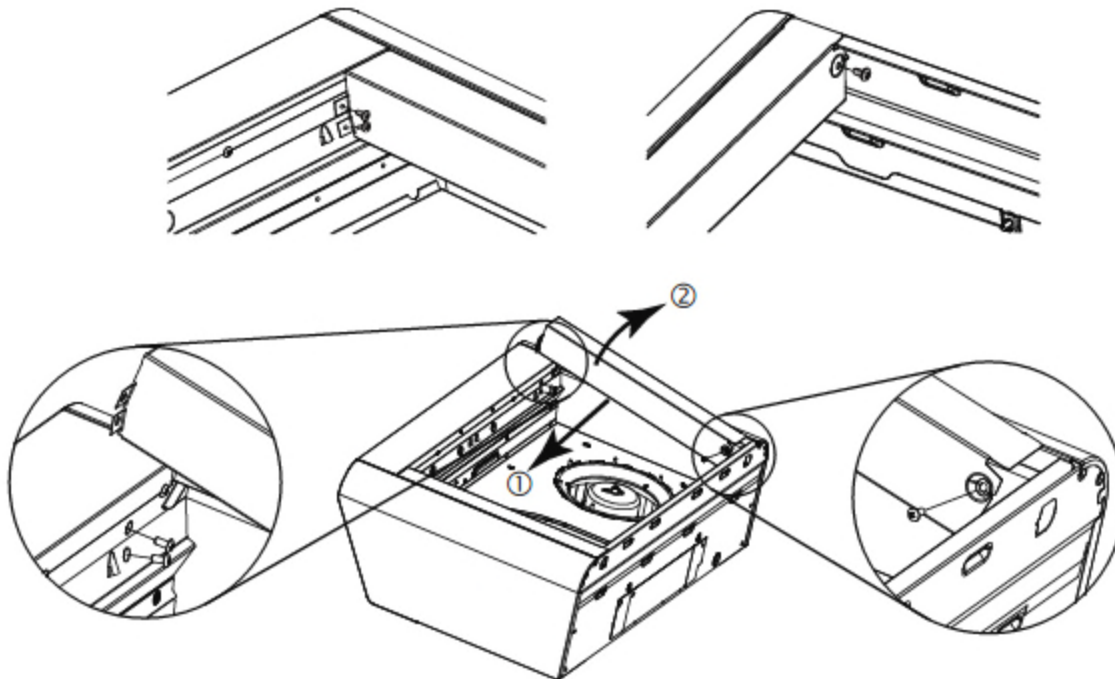
	* FIND INSIDE ONE PACKAGING STYROFOAM OF HOOD		
(2) GREASE FILTERS		(1) 3 1/4" x 10" DAMPER ASSEMBLY*	(1) 7" ROUND DUCT CONNECTOR
EZ1 COMPONENTS			
		(1) TEMPLATE FOR DUCTING (PRINTED BOTH SIDES)	
		(2) INSTALLATION BRACKETS** FOR FRAMED CABINET	
		(2) INSTALLATION BRACKETS** FOR FRAMELESS CABINET	
** FIND EZ1 BRACKETS ATTACHED INSIDE OF HOOD			
(1) PARTS BAG*** CONTAINING:			
		(4) No. 8-18 x 1/2" METAL SCREWS	
	(6) No. 8 x 5/8" RD. HD. WOOD SCREWS		(6) No. 8 x 1/2" COUNTERSUNK WOOD SCREWS
*** FIND PARTS BAG INSIDE OF HOOD			

Prepare the Hood

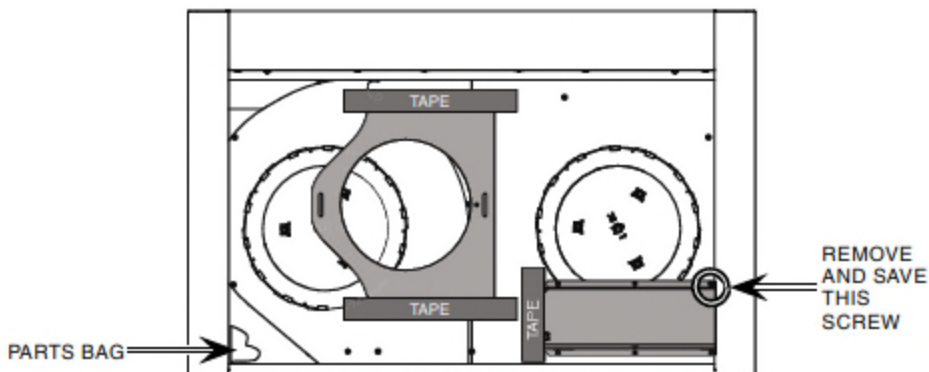
- 1] If present, remove all protective polyfilm from the hood and/or parts.
- 2] Using the finger cup, remove the grease filters from the hood by pushing down ❶ and tilting filters out ❷.



- 3] Remove both filters by removing the 3 screws holding each one of them. Slide each one towards the center of the hood and tilt it up to remove it completely. Set the filters and screws aside.

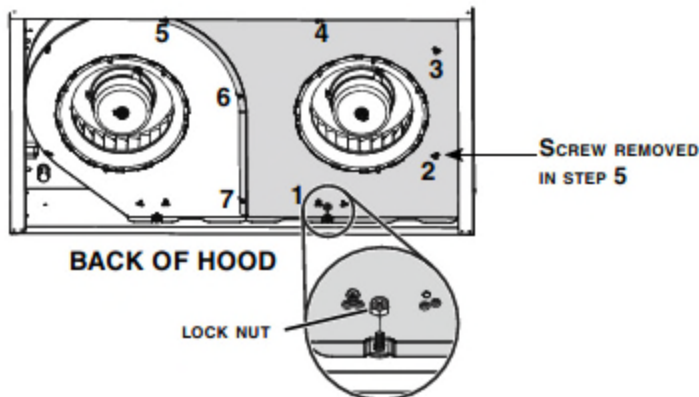


- 4] Remove both tape strips holding the 7" round adapter (not included with BPDC Series), and put the adapter aside.
- 5] Remove the screw holding the 3¼" x 10" adapter/damper and put the adapter/damper aside. **Save this screw, it will be used later to hold the cover plate.**
- 6] Remove the parts bag taped in the lower left corner of the hood.

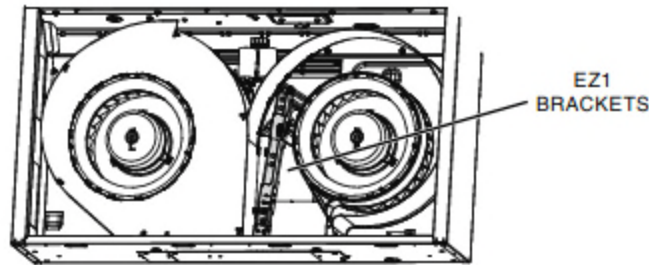


- 7] Using a 11/32" nut driver or socket, remove the lock nut retaining the flange of the right cover plate (shaded part on illustration below) to the inner back of hood (see inset). Remove the right cover plate retaining screws (7 screws), then set the blower cover along with its screws and nut aside.

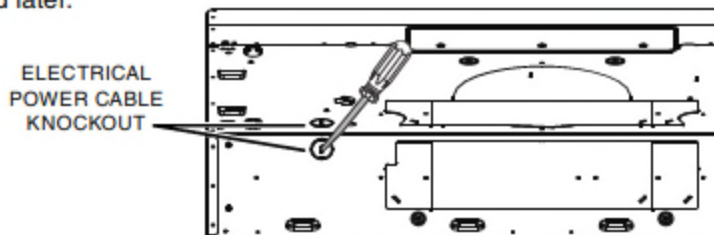
NOTE: For 30 in.-wide hoods, slightly lift up the cover plate before sliding it towards the left to remove it.



- 8] Remove the EZ1 brackets from inside the hood by cutting off the tie wrap. Discard the tie wrap.



- 9] Remove Electrical Power Cable Knockout from top (vertical wiring) or back (horizontal wiring) of hood. For knockout removed from back of hood, install an appropriate strain relief, 1/2" diameter (not included). For knockout removed from top of hood, the strain relief will be installed later.



NON-DUCTED INSTALLATION ONLY

- 10] Remove the 3 screws retaining the recirculation cover plate to the hood. Discard this plate with its screws.
- 11] Peel off and discard the membrane covering the recirculation grille, ensuring the openings are totally cleared.

