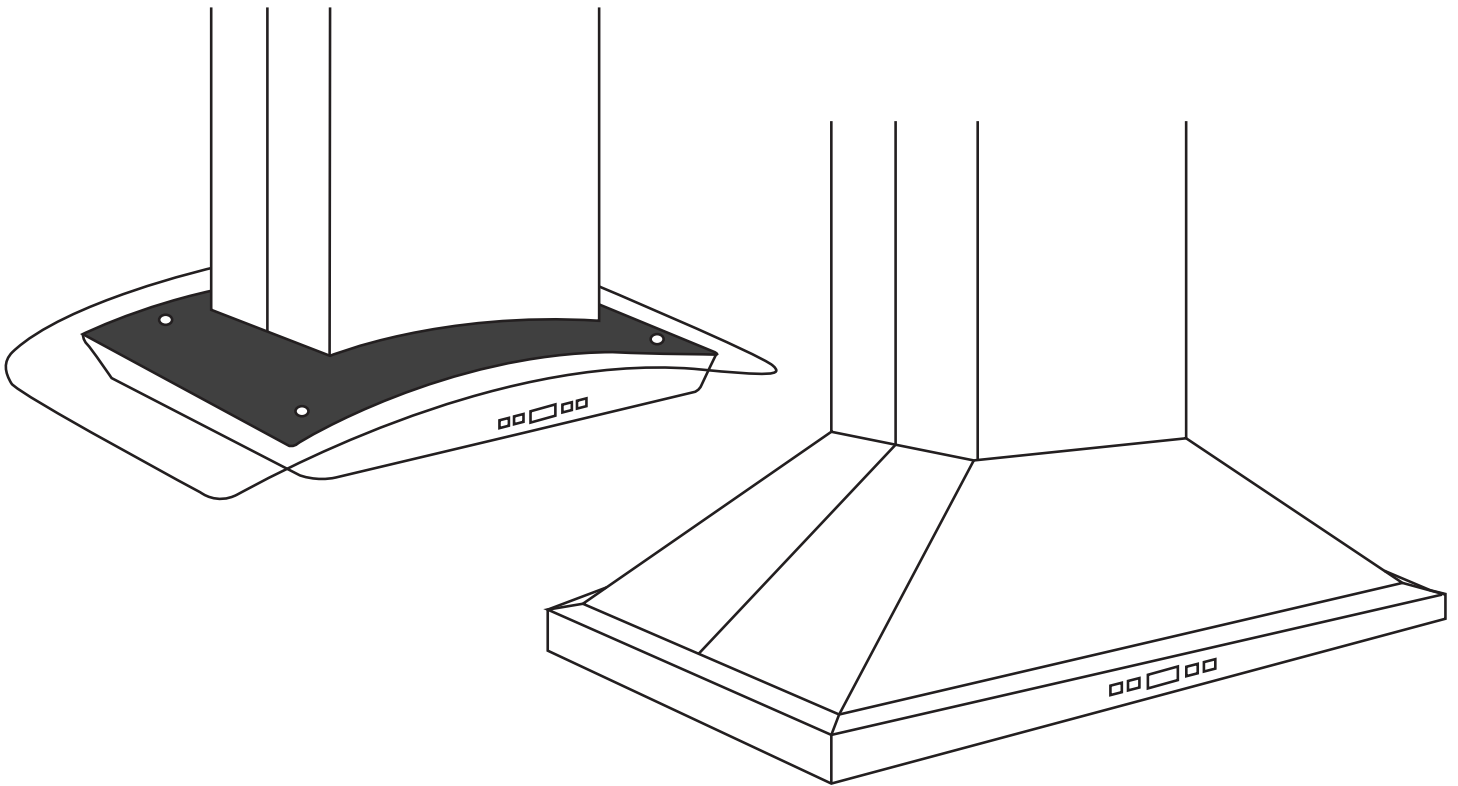


CAVALIERE

218 SERIES ISLAND HOOD Installation Manual



IMPORTANT:

Read and save these instructions.

NOTICE:

Installer: Leave this guide with the homeowner.

Homeowner: Keep this guide for future reference.

ISLAND MOUNT RANGE HOOD





Important Safety Notice

- Ducted fans **MUST** always be vented to the outdoors.
- **DO NOT** vent exhaust into spaces between walls, crawl spaces, ceiling, attics or garages.
- Any old duct work should be cleaned or replaced if necessary to avoid the possibility of a grease fire. Check all joints on duct work to insure proper connection and all joints should be properly taped.
- Use only metal ductwork and this unit **MUST** be grounded.
- Before servicing or cleaning unit, switch power **OFF** at service panel and lock service panel to prevent power from being switched **ON** accidentally.
- When cutting or drilling into wall or ceiling, be careful not to damage electrical wiring or other hidden utilities.
- All electrical wiring must be properly installed, insulated and grounded.
- Use this unit only in the manner intended by the manufacturer. If you have questions, contact the vendor.
- **DO NOT** touch the bottom side of the range hood directly after usage because it may be hot. Wait until it has cooled.
- Make sure to inspect shipment and it's contents as soon shipment is received.
- Plug in and test range hood and all its functions, (refer to Range Hood Operations, Page 12), directly after receiving shipment, and before scheduling an installer.

TO REDUCE THE RISK OF A STOVE TOP GREASE FIRE:

- Clean grease laden surfaces frequently.
- Clean ventilating fan frequently.
- Keep all fan, baffle, spaces, filter, grease tunnel, oil container and grease-laden surfaces clean.
- Grease should not be allowed to accumulate on fan, baffle, spaces, filter, grease tunnel and oil container.
- Always turn range hood **ON** when cooking at high heat or when cooking flaming foods. Use high settings on cooking range only when necessary.
- Never leave burners or cooktop at high settings unattended. Boil overs cause smoking and greasy spillovers that may ignite. Heat oils slowly on low or medium settings.
- Always use appropriate cookware and utensils size.
- Always use cookware appropriate for the size of the surface element.

TO REDUCE THE RISK OF INJURY TO PERSONS IN THE EVENT OF A STOVE TOP GREASE FIRE:

- **SMOTHER FLAMES** with a close-fitting lid, cookie sheet, or metal tray, then turn **OFF** the burner. **BE CAREFUL TO PREVENT BURNS. NEVER PICK UP A FLAMING PAN**—you may be burned. **KEEP FLAMMABLE OR COMBUSTIBLE MATERIAL AWAY FROM FLAMES.** If the flames **DO NOT** go out immediately, **EVACUATE AND CALL THE FIRE DEPARTMENT** or dial your local emergency service immediately.
- **DO NOT USE WATER**, including wet dishcloths or towels — a violent steam explosion may result.
- Use an extinguisher **ONLY** if:
 - You know you have a Class A, B, C extinguisher, and you already know how to operate it.
 - The fire is small and contained in the area where it is started.
 - The fire department is being called.
 - You can fight the fire while maintaining a safe exit path.

TO REDUCE THE RISK OF INJURY TO PERSONS IN THE EVENT OF A GAS LEAKS:

- Extinguish any open flame.
- **DO NOT** turn on the range hood fan or any type of ventilator.
- **DO NOT** turn on the lights or any type of appliance.
- Open all doors and windows to disperse the gas. If you still smell gas, call the gas company and fire department, or dial your local emergency service immediately.

Table of Contents

INSTALLATION

Tools needed3
 Parts Supplied4
 Venting Requirements.....5
 Height & Clearance.....5-6
 Duct Size Upgrade Calculator6
 Venting Methods.....7
 Charcoal Filter Installation8
 Electrical Requirements8
 Preparation9
 Installation Overview10
 Installation.....10-12

USE AND CARE

Range Hood Operations.....13-14
 Troubleshooting.....15
 Use and Care Information.....16
 Specifications.....16
 Electric Schematic17

MAINTENANCE

Cleaning, Replacing Filter & Light Bulb.....18-19

WARRANTY

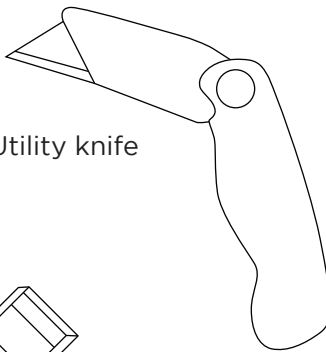
Coverage & Exceptions.....20
 Disclaimer.....21
 Contact Information.....21

Tools Needed

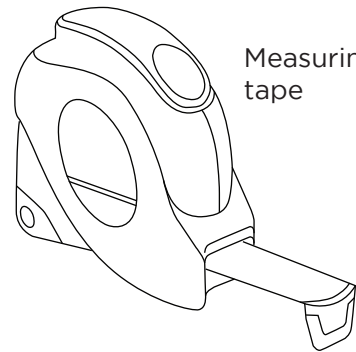
Marker or pencil



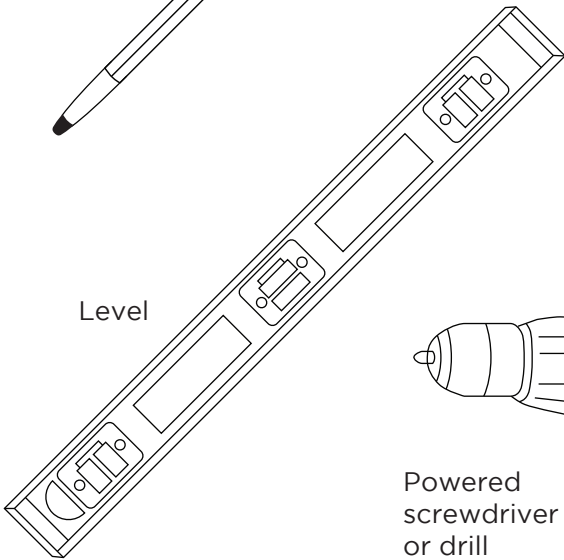
Utility knife



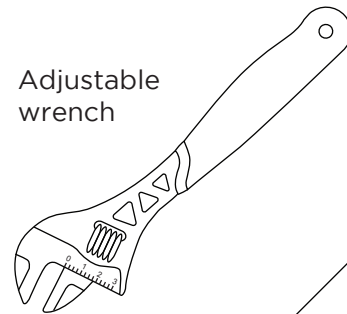
Measuring tape



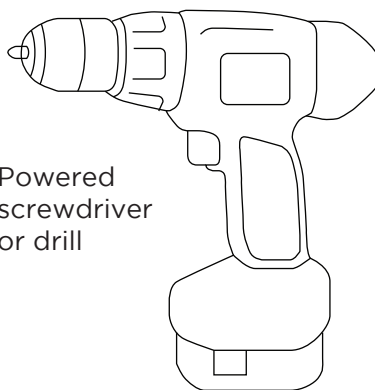
Level



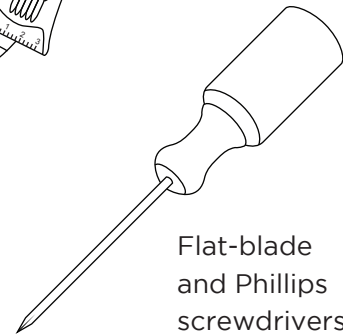
Adjustable wrench



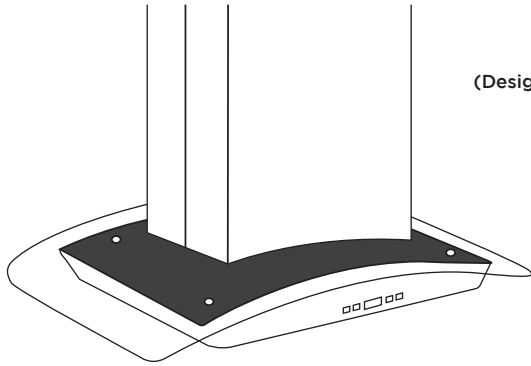
Powered screwdriver or drill



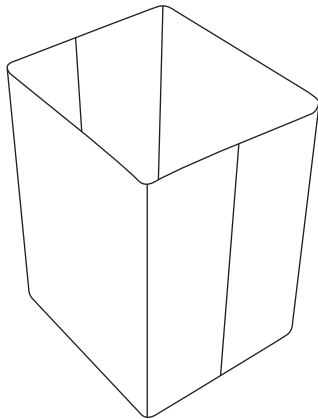
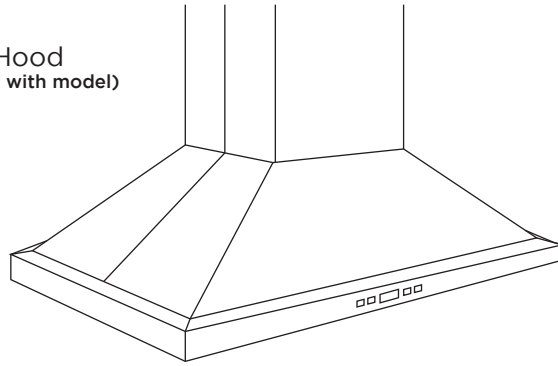
Flat-blade and Phillips screwdrivers



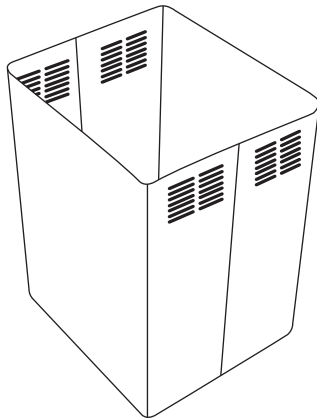
Parts Supplied



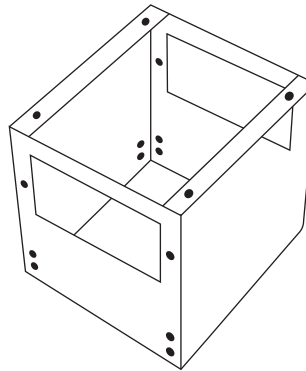
Range Hood
(Design will vary with model)



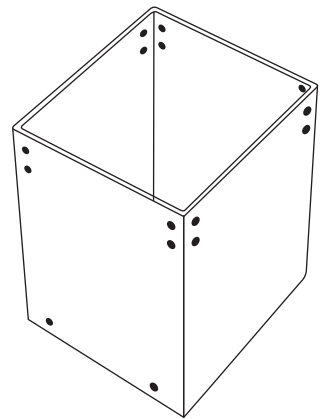
Lower Chimney



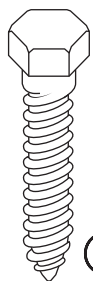
Upper Chimney



Upper Support Frame
(Design will vary with model)



Lower Support Frame
(Optional depending on model)



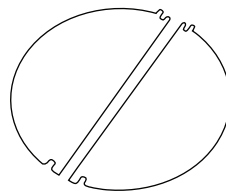
A
Qty: 4 PCS



B
Qty: 32 PCS



C
Qty: 32 PCS



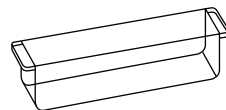
Draft Damper Flaps
(Optional)



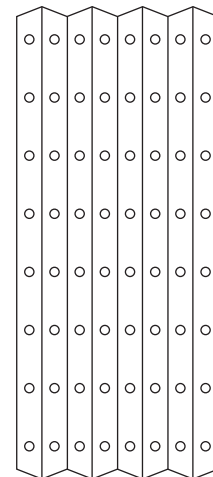
D
Qty: 4 PCS



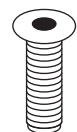
E
Qty: 4 PCS



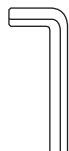
Grease Cup
(Optional)



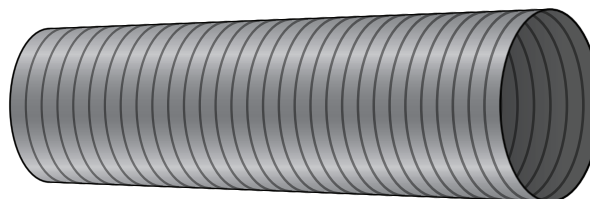
Support Frame Extension
(Length varies with ceiling height)



Glass Canopy
Screw
Qty: 4 PCS
(Optional with
glass canopy)



Hex Key
Qty: 1 PCS
(Optional with
glass canopy)



Flexible Duct Tube



Charcoal filter
(Optional re-circulating kit)