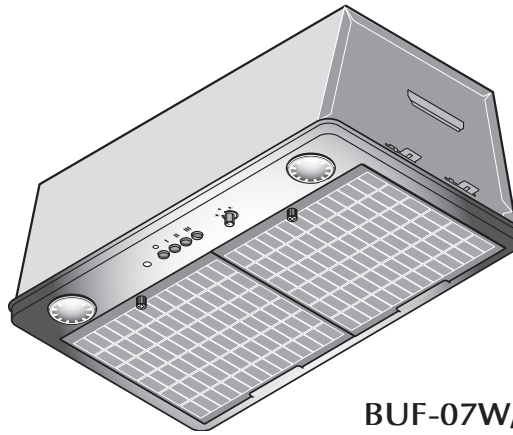




Installation Manual

RANGE HOOD

MODEL: BUF-07W
BUF-07P



BUF-07W/P

TABLE OF CONTENTS

Safety Instructions.....	2, 3
Name of Parts	4
Circuit Diagram	4
Dimensions/Accessories.....	5, 6
Range Hood Location	7
Installation	8~22
1. Preparation	8, 9
2. Range Hood Mounting	9~17
Mounting Procedure for BUF-07W (Wall Mounting).....	9~13
Mounting Procedure for BUF-07P (Ceiling Mounting)	14~17
3. Connecting Power Supply Wires.....	18, 19
4. Final Assembly and Check.....	19~22
5. Explanation to the End User by Installer.....	22

READ AND SAVE THESE INSTRUCTIONS.
Keep this manual in a convenient place for future reference.

FUJI INDUSTRIAL CO., LTD.

1U03 3081



SAFETY INSTRUCTIONS

Before installation and operation, read these instructions carefully and use this product only in the manner described by the manufacturer in the operation manual.

The instruction shown below are used to alert you to potential personal injury and property damage hazards.

There are three hazard classifications based on potentially dangerous situations.

Obey all safety instructions that show these symbols to avoid possible injury, death and/or property damage.



WARNING:

WARNING indicates a potentially hazardous situation which, if not avoided, could result in death or serious injury.



CAUTION:

CAUTION indicates a potentially hazardous situation which, if not avoided, may result in minor or moderate injury.

CAUTION:








CAUTION used without the safety alert symbol indicates a potentially hazardous situation which, if not avoided, may result in property damage.



WARNING

	<p>1. TO REDUCE THE RISK OF FIRE, ELECTRIC SHOCK, OR INJURY TO PERSONS, OBSERVE THE FOLLOWING:</p> <p>a) Use this unit only in the manner intended by the manufacturer. If you have questions, contact the manufacturer.</p> <p>b) Before servicing or cleaning the unit, switch power off at service panel and lock the service disconnecting means to prevent power from being switched on accidentally. When the service disconnecting means cannot be locked, securely fasten a prominent warning device, such as a tag, to the service panel.</p>
	<p>2. To reduce the risk of fire or electric shock, do not use this product with any solid-state speed control device.</p>
	<p>3. TO REDUCE THE RISK OF FIRE, ELECTRIC SHOCK, OR INJURY TO PERSONS, OBSERVE THE FOLLOWING:</p> <p>a) Installation work and electrical wiring must be done by a qualified person(s) in accordance with all applicable codes and standards, including fire-rated construction.</p> <p>b) Sufficient air is needed for proper combustion and exhausting of gases through the flue (chimney) of fuel burning equipment to prevent back drafting. Follow the heating equipment manufacturer's guidelines and safety standards such as those published by the National Fire Protection Association (NFPA), and The American Society for Heating, Refrigeration and Air Conditioning Engineers (ASHRAE), and the local code authorities.</p> <p>c) When cutting or drilling into wall or ceiling, do not damage electrical wiring and other hidden utilities.</p> <p>d) Ducted fan must always be vented to outdoors.</p> <p>e) The end user is responsible to ensure compliance with all Federal, State and Local Environmental and Fire codes.</p>
	<p>4. TO REDUCE THE RISK OF FIRE, USE ONLY METAL DUCTWORK.</p>
	<p>5. This unit must be grounded.</p>
	<p>6. Install this range hood to a liner. Check that the hood is correctly installed, since incorrect installation could result in the range hood becoming detached and falling off.</p>
	<p>7. Connect only to an AC120 Volt power source or the range hood could result in fire, electric shock, and damage.</p>

 **CAUTION**

	1. For general ventilating use only. Do not use to exhaust hazardous or explosive material and vapors.
	2. To reduce the risk of fire and to properly exhaust air, be sure to duct air outside. Do not vent exhaust air into spaces within walls, ceilings or into attics, crawl spaces or garages.
	3. Read specification label on this product for further information and requirements.
	4. Use only for the purpose of kitchen ventilation.
	5. Do not install this range hood in the bathroom or in other wet rooms since electrical shock and damage may result.
	6. Fasten the filter and other parts securely. Incorrect attachment may result in personal injury or property damage.
	7. Keep your hands and other objects away from the fan while it is in motion. The range hood may injure you or damage itself.

NOTE: *The safety instructions are explained with the following pictographic symbols.*



⊘ : means prohibition. It indicates actions, if any, that mustn't be done.

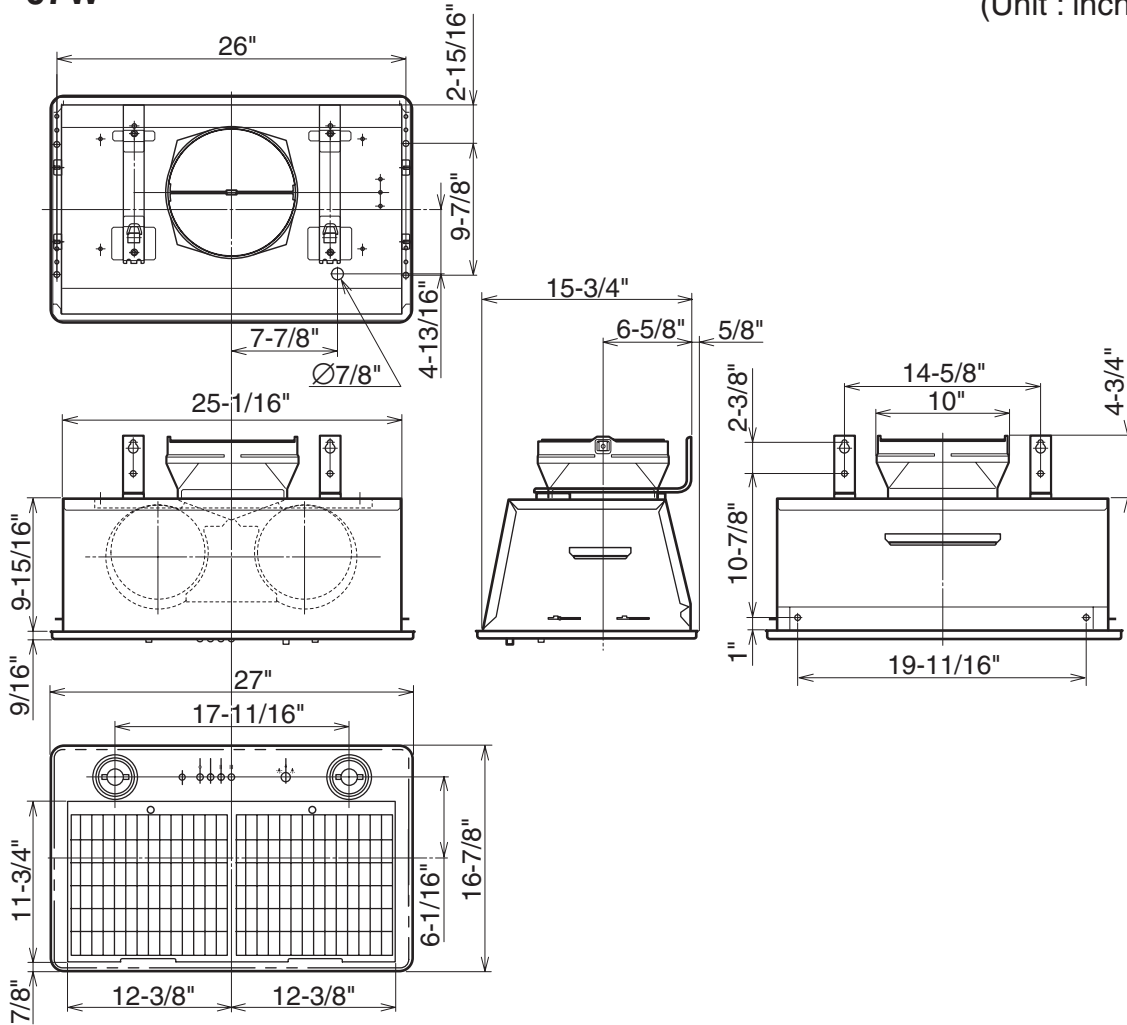


● : means forcible execution. It indicates actions, if any, that must be done.

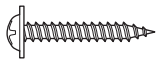
DIMENSIONS/ACCESSORIES

BUF-07W

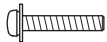
(Unit : inch)



Accessories



Screw M5.1x45
Six (6) pieces



Screw M5x30
Four (4) pieces



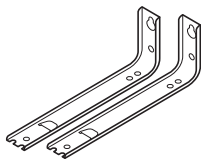
Screw M5x10
Four (4) pieces



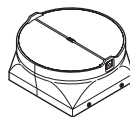
Screw M4x10
Four (4) pieces



Nut with plate
Four (4) pieces



Hanging bracket
Two (2) pieces

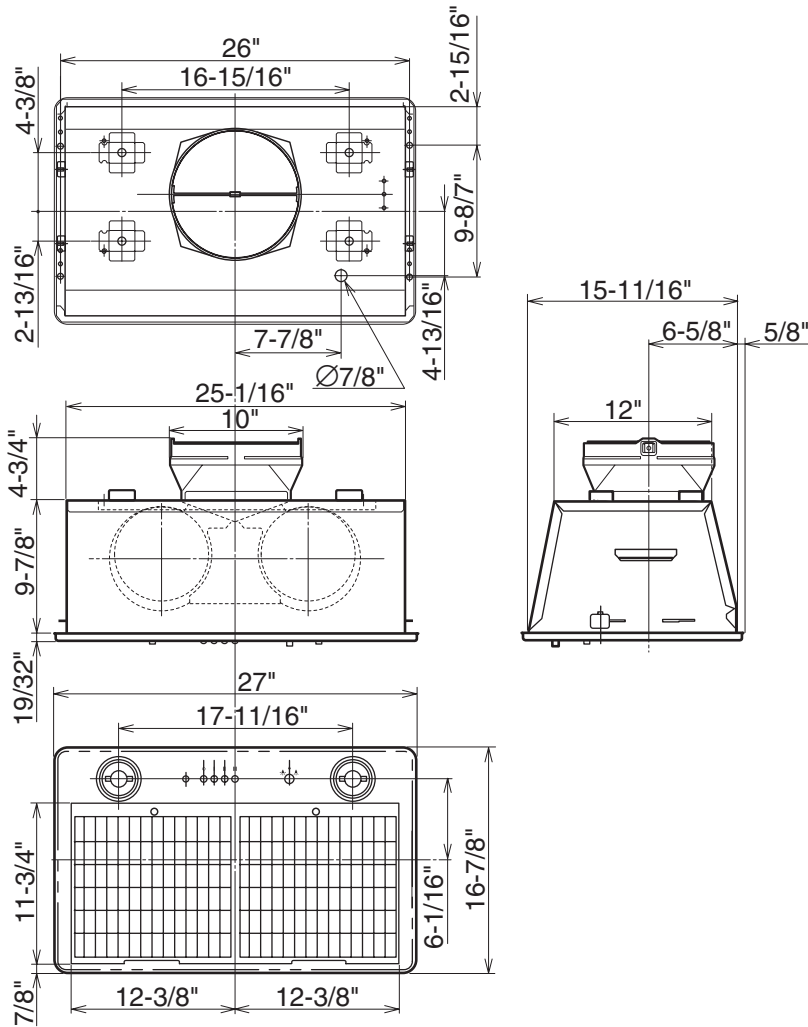


Exhaust pipe unit
One (1) piece

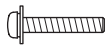
DIMENSIONS/ACCESORIES (continued)

BUF-07P

(Unit : inch)



Accessories



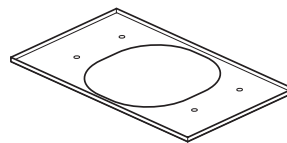
Screw M5x30
Four (4) pieces



Screw M4x8
Four (4) pieces



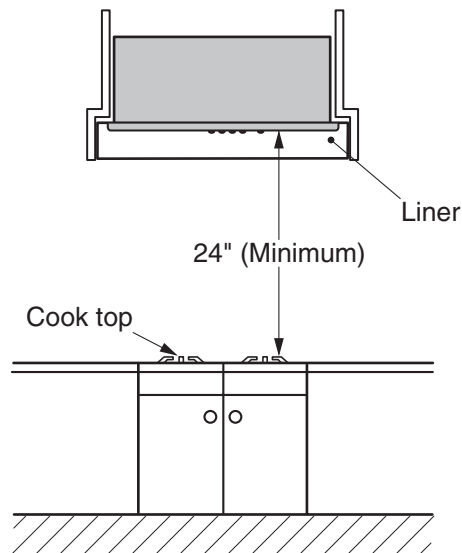
Nut with plate
Four (4) pieces



Mounting bracket
One (1) piece

RANGE HOOD LOCATION

- 1 The range hood must be installed just above the cooktop.
- 2 The minimum distance from the cooking surface to the bottom of the range hood must be 24".



- 3 The total weight of the BUF-07W and BUF-07P range hood unit are;
BUF-07W: 50.9 lbs. (23 kg)
BUF-07P: 50.9 lbs. (23 kg)
- 4 Power requirements are:
AC120 V, 60 Hz, 8.7 Amp

WARNING

- Check that the hood is correctly installed, since incorrect installation could result in the detachment of the range hood and the unit could fall.

CAUTION

- To protect hands from injury, wear working gloves when installing the range hood.

INSTALLATION

1. Preparation

The following method is the standard installation.

There may be some different cases depending on the structure where the mounting bracket is placed or the shape and mounting condition of the wood hood.

In such a case, please arrange best possible way according to the condition of the place where the range hood is being installed.

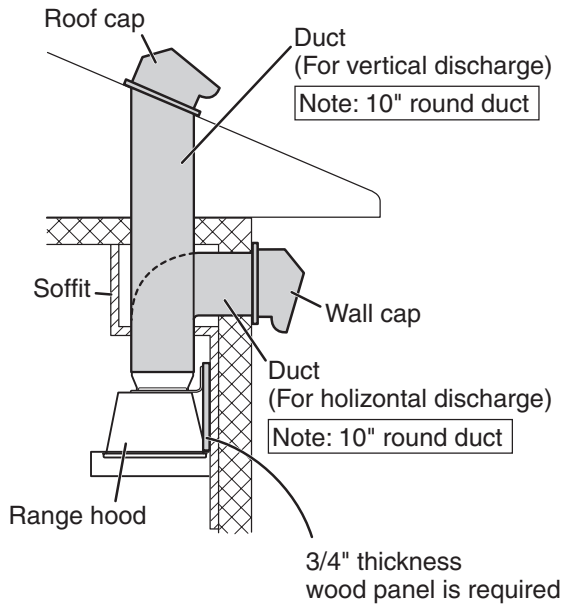
WARNING

- If the range hood is not installed properly, it could become detached and fall.
- Ensure that the metal duct does not touch other metal/housing materials, otherwise fire or electric shock could result.

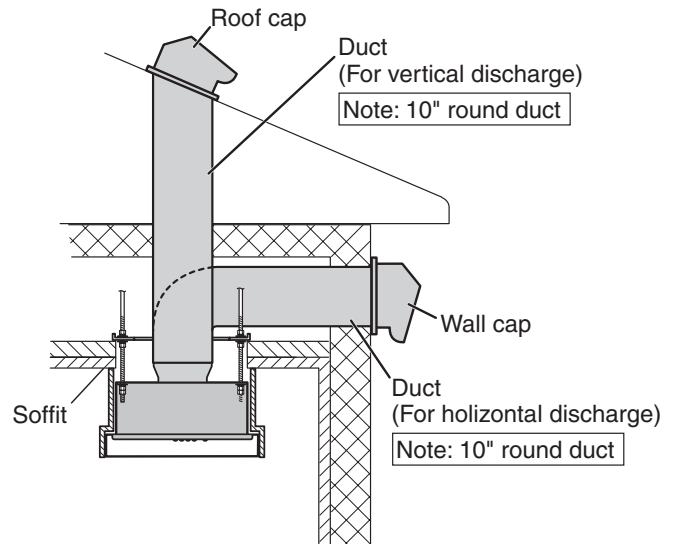
1 This range hood is designed to discharge upward from the unit, but may vent horizontal above the unit. For vertical discharge, run duct work between the hood location and roof cap location.

To get the best result, use a minimum number of transitions and elbows.

Be sure to attach a roof/wall cap to avoid rain from entering the exhaust duct.



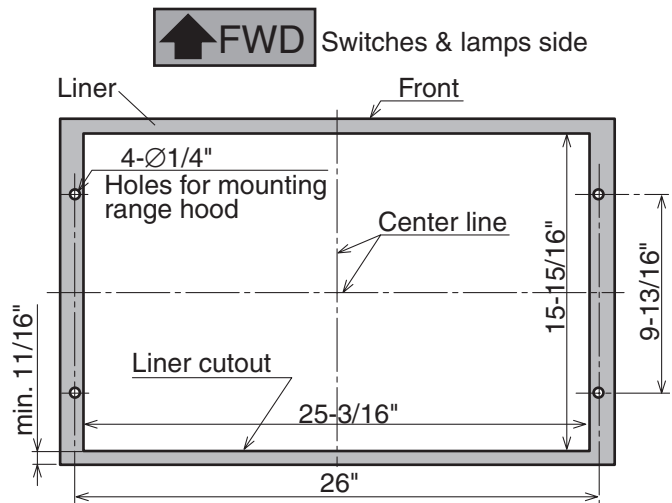
BUF-07W



BUF-07P

INSTALLATION (continued)

- 2** The range hood unit should be mounted to a liner which has the dimensions stated in diagram. Install the liner securely after checking that the opening size of the liner is the same as the figure shown.



CAUTION

- The liner shape illustrated in this installation manual is only for reference.
- When the liner is installed in the wooden hood, the inside of the wooden hood placed above the cooking surface must be fully covered by the metal barrier including bottom edges. Select a suitable liner and metal barrier according to the size and shape of the wooden hood and install properly.
- The liner should be installed tightly. If the liner installation is not correct, the range hood unit may become detached and fall.

2. Range Hood Mounting

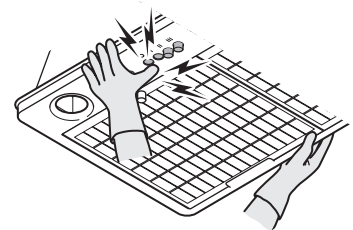
CAUTION

- Wear working gloves to avoid injury.



Note

During installation, be careful not to touch the fan switches. If two or more switches are pushed at once, it may cause failure to the motors.



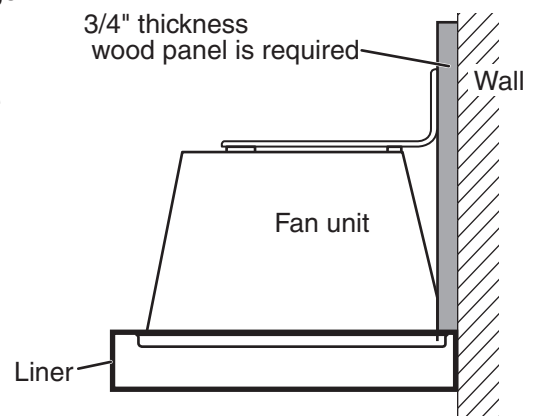
Mounting procedure for BUF-07W (Wall Mounting)

*For the procedure to mount BUF-07P (Ceiling Mounting), see page 14.

- 1** Before mounting, make sure that a wood panel for mounting the range hood is fixed on the wall where the range hood is installed.

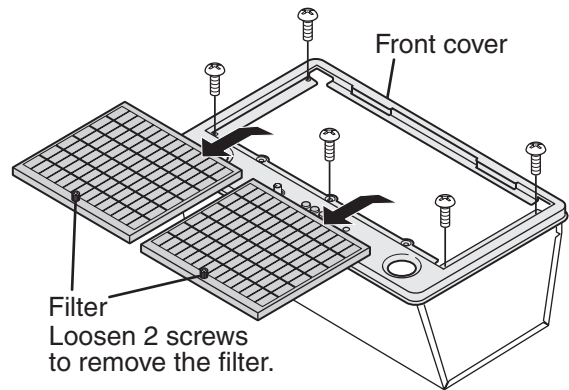
Note

If no wood panel is found on the wall, be sure to prepare one referring to the figure.



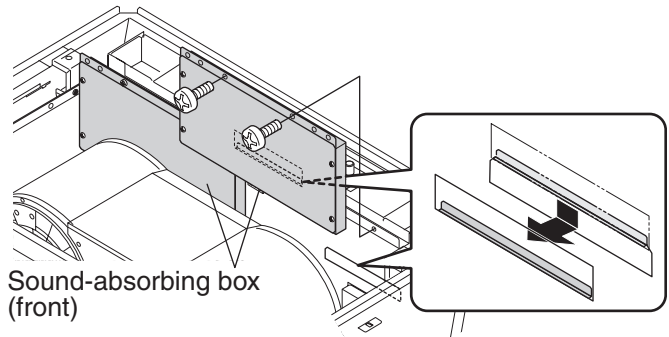
INSTALLATION (continued)

- 2** Place the range hood as shown and detach the left and right filters by loosening 2 screws. Then remove 5 screws fixing the front cover and detach the front cover.

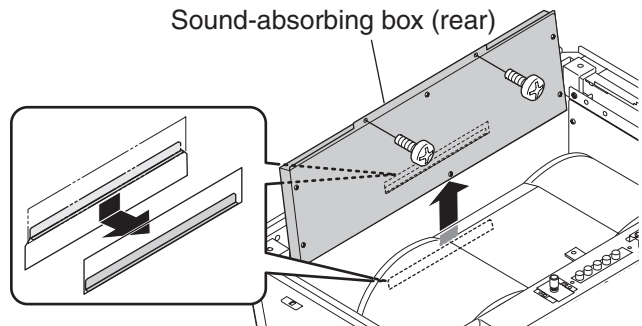


- 3** Remove the sound-absorbing boxes.

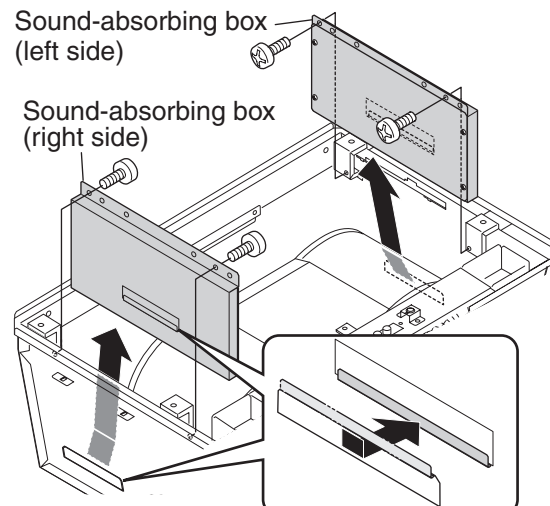
- (1) Remove the two screws holding each front sound-absorbing boxes (2 pcs), pull the tab at the top of the box out of the slit, and remove the box.



- (2) Remove the two screws holding the rear sound-absorbing box, pull the tab at the top of the box out of the slit, and remove the box.



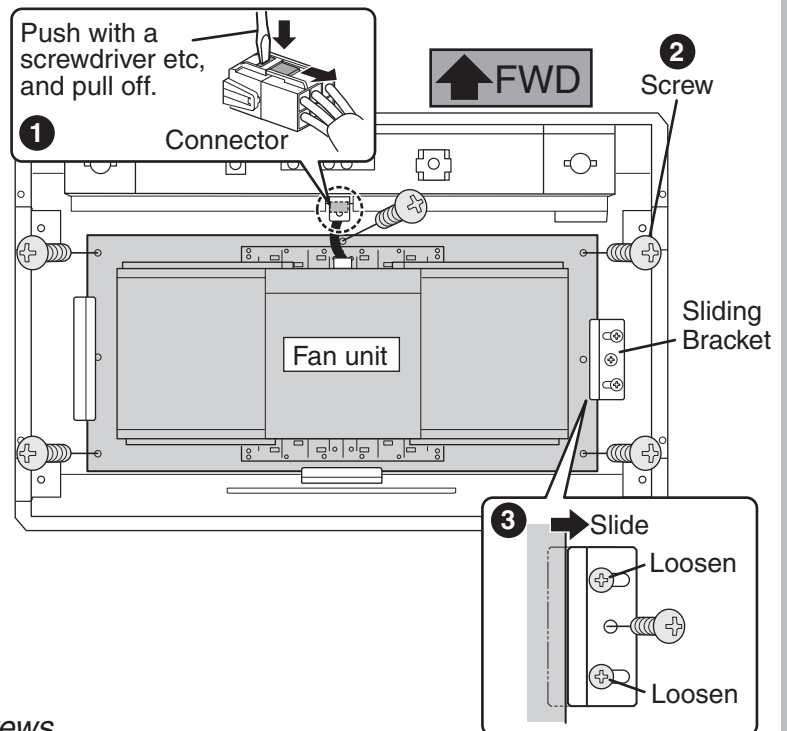
- (3) Remove the two screws holding the sound-absorbing boxes on each side, pull the tab at the top of the box out of the slit, and remove the box.



INSTALLATION (continued)

4 Remove the fan unit.

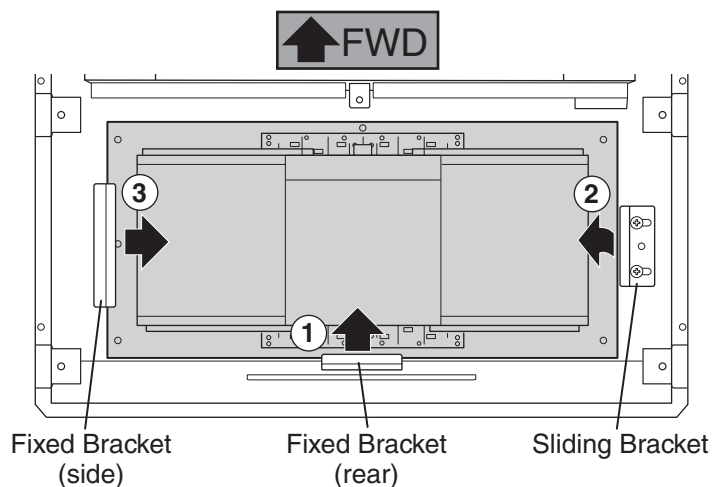
- (1) Disconnect wiring connector coming from the fan unit.
- (2) Remove 5 screws from the fan unit.
- (3) There are three screws holding the sliding bracket (right side); remove the middle screw, loosen the other two, and move the sliding bracket so as to free the edge of the fan unit.



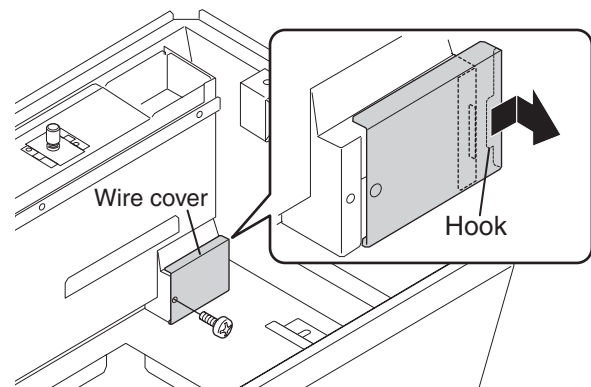
Note

Make sure not to misplace the screws removed as they will be used later.

- (4) Move the fan unit forward to free it from the fixed bracket (rear) (①).
- (5) Lift the right side of the fan unit (sliding bracket side) (②).
- (6) Move the fan unit to the right to release it from the fixed bracket (left side) (③).



- (7) Remove the screw securing the wire cover for the power supply box and remove the wire cover by sliding it in the direction of the arrow to release the hook.
- (8) Need to connect the wires.

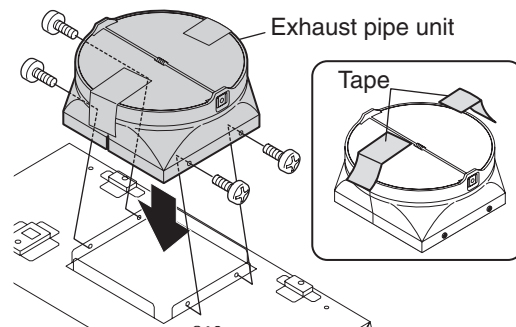


Note

Make sure not to lose the screw removed from wire cover. It needs to be used again later, after connecting the power supply wires.

INSTALLATION (continued)

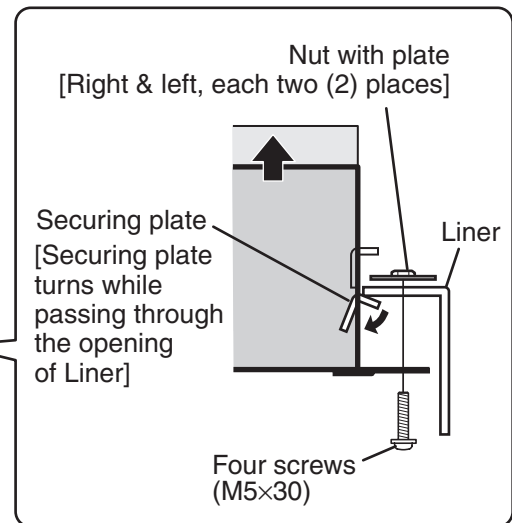
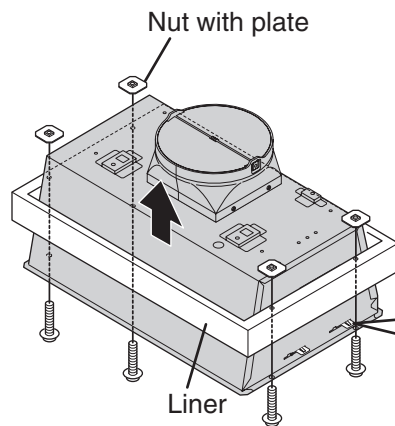
- 5** Place the range hood in an upright position and attach the exhaust pipe unit using the 4 (M4×8) attachment screws provided. Once the exhaust pipe unit is securely attached, remove the tape.



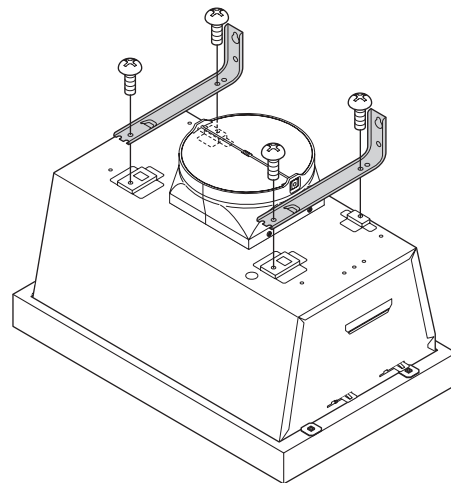
- 6** Align 4 screw holes of the liner and range hood, then fix securely using the supplied screws (M5×30) and nuts.

Note

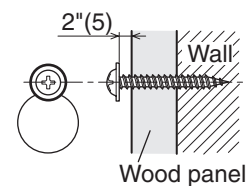
Fasten all the screws and nuts evenly.



- 7** Fix the supplied hanging bracket on the body firmly using 4 supplied screws (M5×10).



- 8** Referring to "Dimensions" on page 5, insert the washer-head wood screws (M5.1×45) into the mounting wall to align with bracket keyhole (left and right). Allow about 5mm between the screwheads and wall for mounting the range hood.

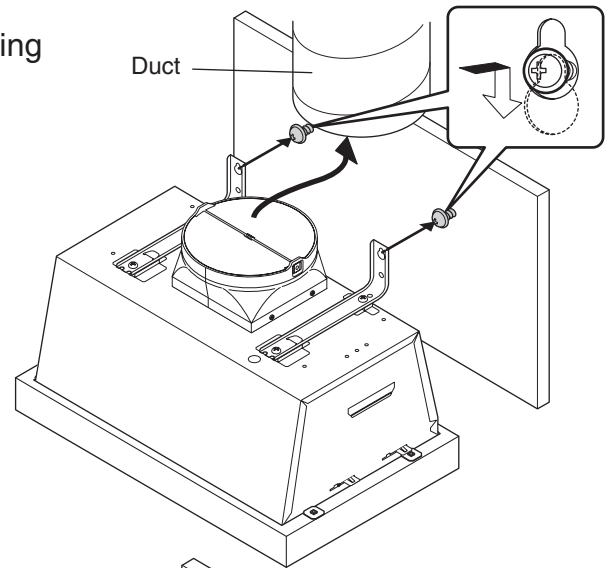


INSTALLATION (continued)

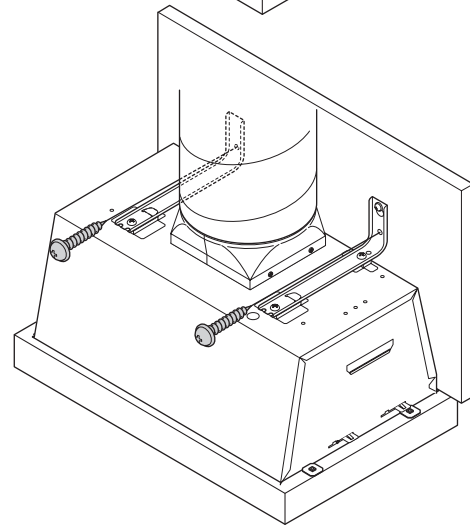
- 9** Hook the temporary fixing holes of the hanging bracket on the washer-head wood screws prepared in step 8, and tighten the screws.

Note

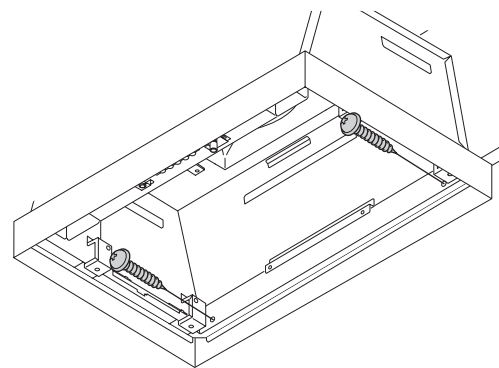
Insert tight the exhaust pipe unit into the duct.



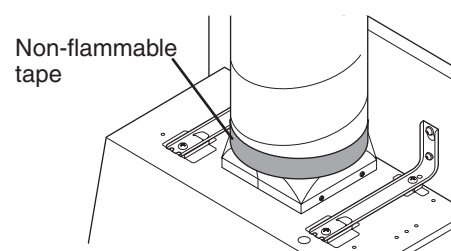
- 10** Add 2 screws (M5.1×45) to the holes under the temporary fixing holes and tighten them securely.



- 11** Fix the range hood securely using 2 supplied wood screws (M5.1×45) to the holes on the back of the range hood.



- 12** Make the duct joint secure and airtight using non-flammable tape such as aluminum tape, etc. (not supplied)



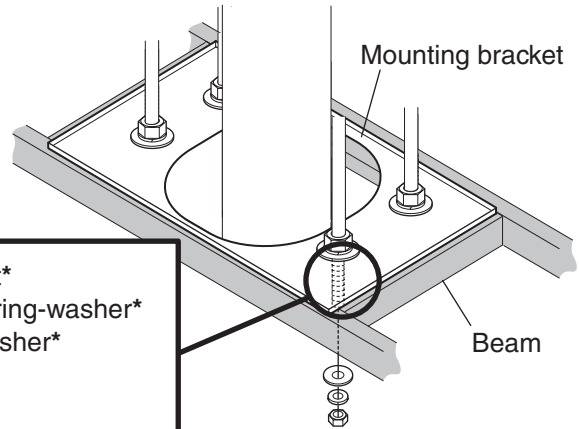
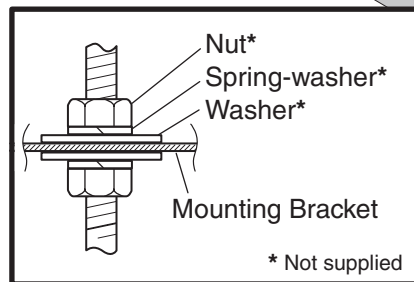
INSTALLATION (continued)

Mounting procedure for BUF-07P (Ceiling Mounting)

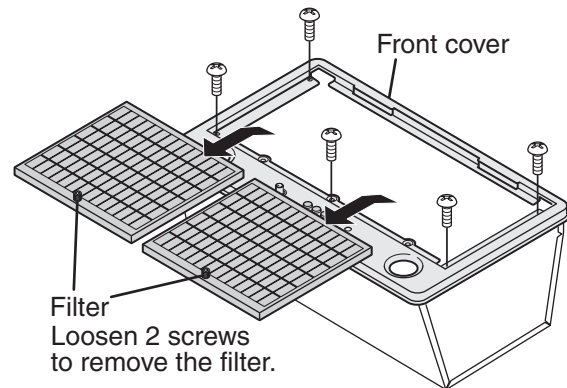
- 1 Put 4 all thread rods ($\varnothing 1/2"$ anchor bolt, not supplied) into the corner holes of the mounting bracket, and secure them using washers, spring washers, and nuts. Place the mounting bracket on the beam of the ceiling as shown.

Note

The mounting bracket should be securely fastened at this point to simplify installing the range hood later.

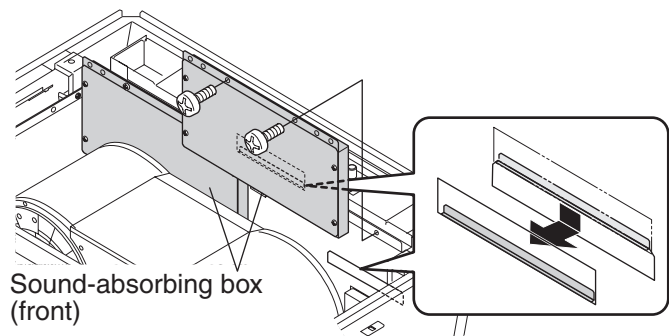


- 2 Place the range hood as shown and detach the left and right filters by loosening 2 screws. Then remove 5 screws fixing the front cover and detach the front cover.



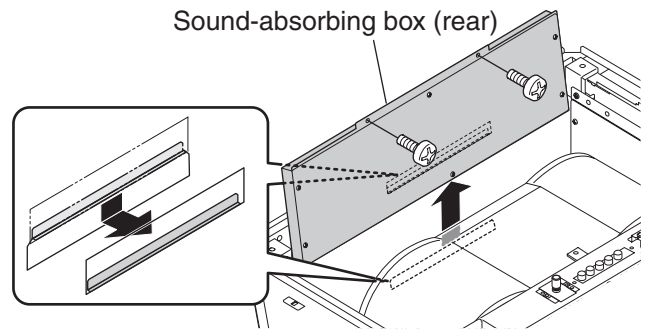
- 3 Remove the sound-absorbing boxes.

- (1) Remove the two screws holding each front sound-absorbing boxes (2 pcs), pull the tab at the top of the box out of the slit, and remove the box.

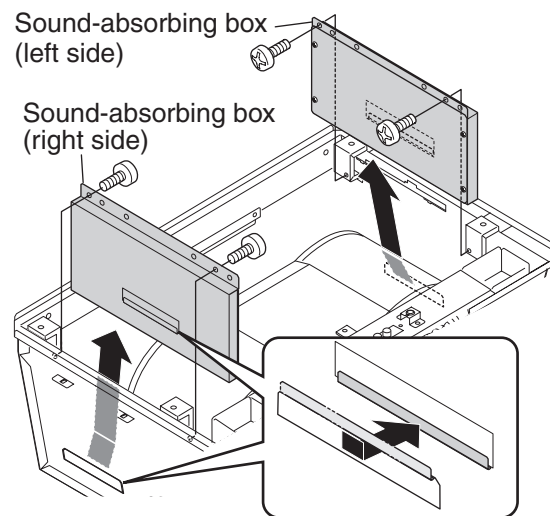


INSTALLATION (continued)

- (2) Remove the two screws holding the rear sound-absorbing box, pull the tab at the top of the box out of the slit, and remove the box.

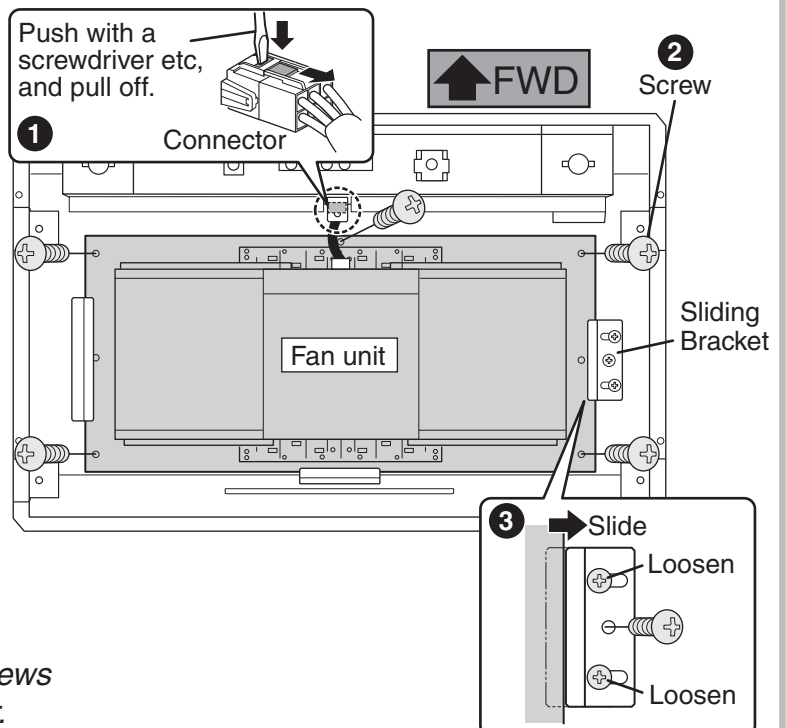


- (3) Remove the two screws holding the sound-absorbing box on each side, pull the tab at the top of the box out of the slit, and remove the box.



4 Remove the fan unit.

- (1) Disconnect wiring connector coming from the fan unit.
- (2) Remove 5 screws from the fan unit.
- (3) There are three screws holding the sliding bracket (right side); remove the middle screw, loosen the other two, and move the sliding bracket so as to free the edge of the fan unit.

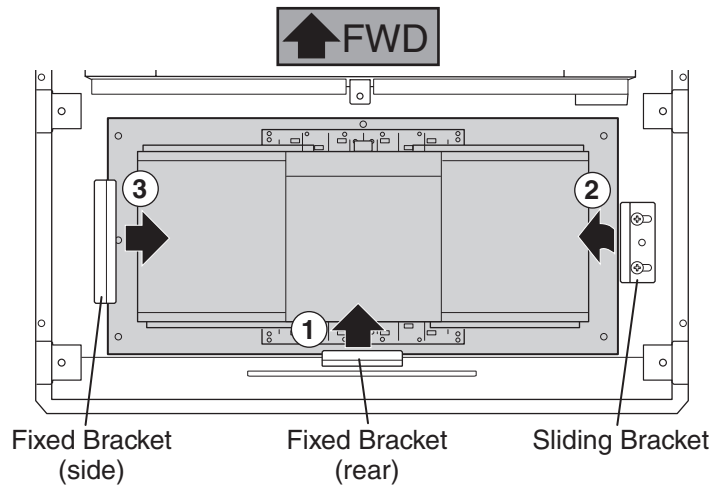


Note

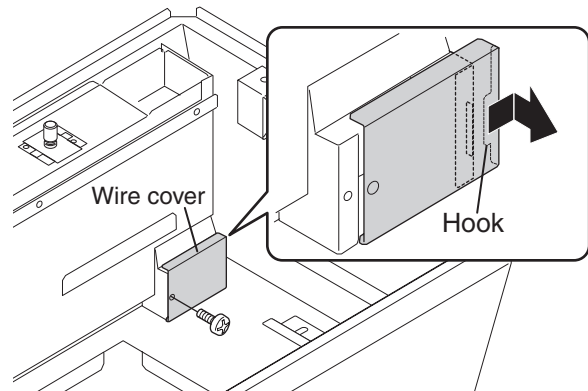
Make sure not to misplace the screws removed as they will be used later.

INSTALLATION (continued)

- (4) Move the fan unit forward to free it from the fixed bracket (rear) (①).
- (5) Lift the right side of the fan unit (sliding bracket side) (②).
- (6) Move the fan unit to the right to release it from the fixed bracket (left side) (③).



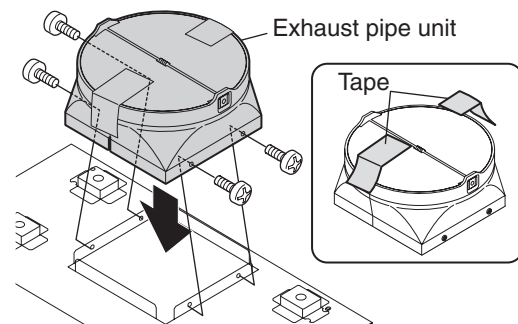
- (7) Remove the screw securing the wire cover for the power supply box and remove the wire cover by sliding it in the direction of the arrow to release the hook.
- (8) Need to connect the wires.



Note

Make sure not to lose the screw removed from wire cover. It needs to be used again later, after connecting the power supply wires.

- 4** Place the range hood in an upright position and attach the exhaust pipe unit using the 4 (M4×8) attachment screws provided. Once the exhaust pipe unit is securely attached, remove the tape.

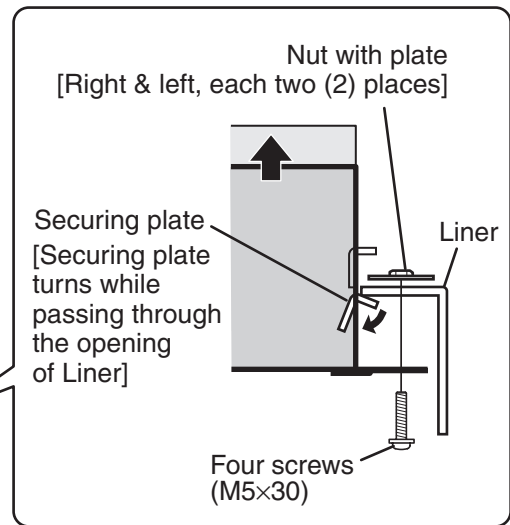
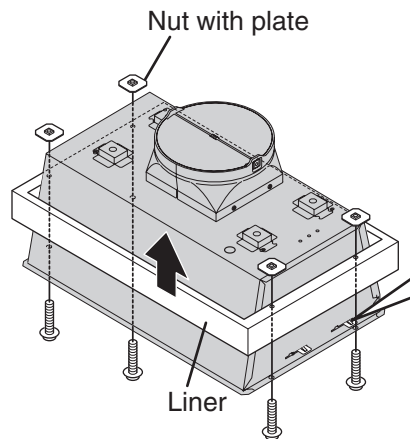


INSTALLATION (continued)

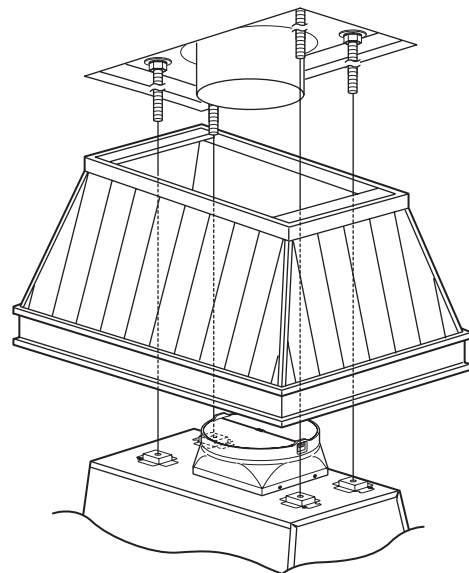
- 5** Align 4 screw holes of the liner and range hood, then fix securely using the supplied screws (M5×30) and nuts.

Note

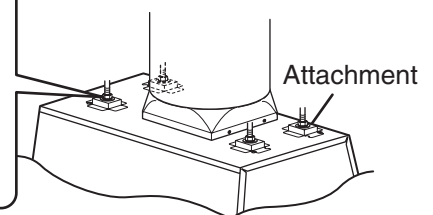
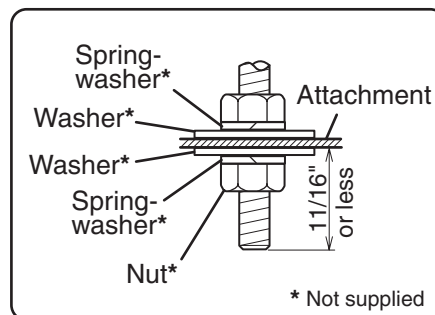
Fasten all the screws and nuts evenly.



- 6** Hold up the range hood, while inserting the exhaust pipe unit into the duct, pass all 4 threaded rods through the holes of the mounting bracket.



- 7** Using washers, spring washers, and double nuts, attach the range hood to all 4 threaded rods securely.



Note

If taping from the outside is impossible, remove the exhaust pipe unit and insert the duct end to the range hood directly, then make inside taping on the duct end. Be sure to attach a roof/wall cap with damper in this case.

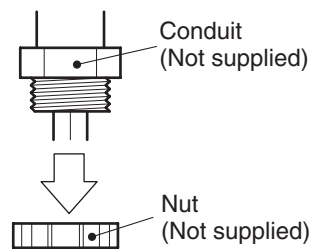
INSTALLATION (continued)

3. Connecting Power Supply Wires

WARNING

- Electrical wiring should be done by a qualified person(s) in accordance with all applicable codes and standards, including fire-rated construction. An unqualified person doing the work could result in fire, electric shock or injury.
- This range hood uses 120V AC. Do not connect to other voltage since fire, electric shock or damage could result.

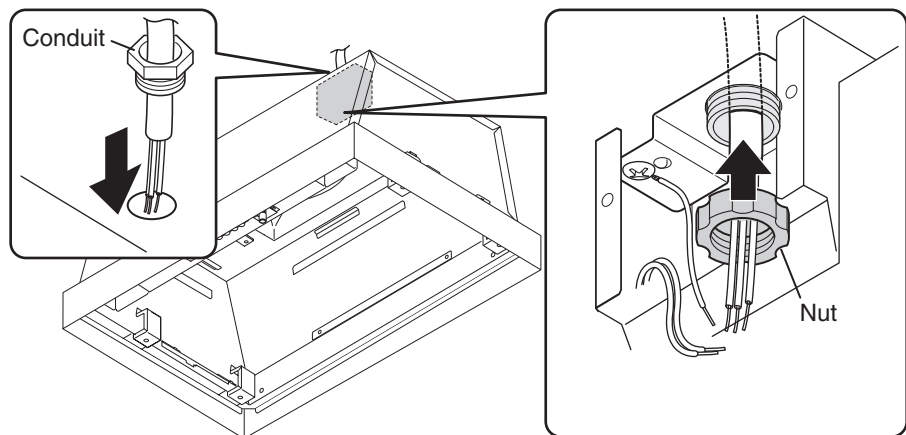
- 1** Remove the nut from the conduit connector at the end of power wiring.



WARNING

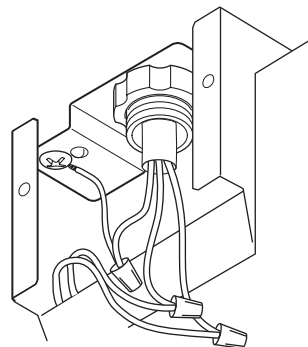
- Be sure to switch power OFF at service panel before wiring.

- 2** Connect the conduit through the connecting hole of the enclosure using the nut previously removed.



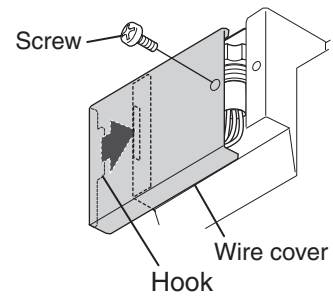
- 3** Connect wires tightly and securely using wire connectors (not supplied). Connect the electrical wires as follows:

- Black to Black
- White to White
- Green to Green



INSTALLATION (continued)

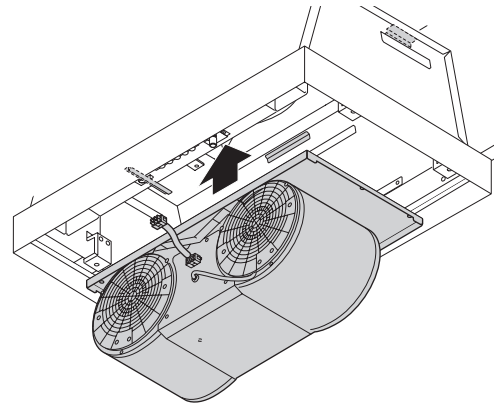
- 4** Slide the wire cover on and insert the hook. Secure the wire cover with the screw removed previously. Make sure that all wires are connected properly and enclosed inside the wiring compartment.



4. Final Assembly and Check

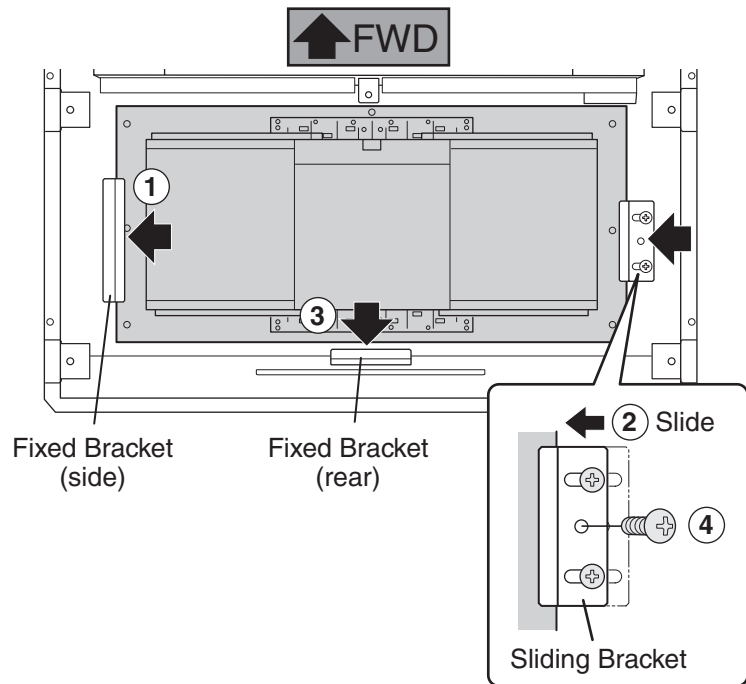
- 1** Attach the fan unit.

- (1) Insert the left side edge of the fan unit under the fixed bracket (left side, ①), let the right side of the fan unit drop into place and move the sliding bracket (②) back to where it covers the right edge of the fan unit.



- (2) Slide the fan unit to the rear and into the fixed bracket (rear, ③).

- (3) Tighten the two screws of the sliding bracket and secure the bracket by inserting and tightening the middle screw removed previously (④).

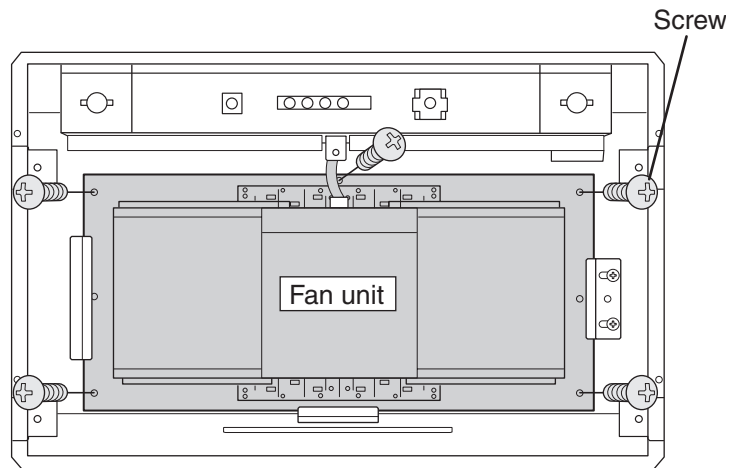


INSTALLATION (continued)

- 2** While holding the fan unit, firmly attach it to the main unit using 5 screws.

CAUTION

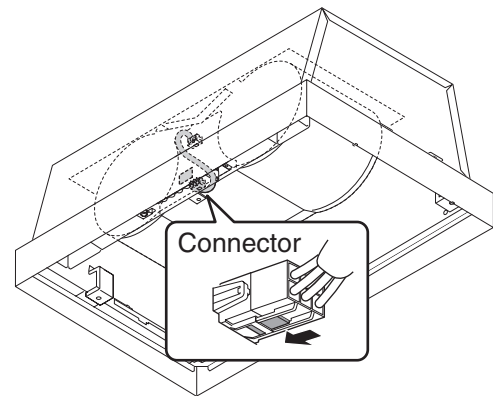
- Check that the fan unit is hanged securely when attaching. It may cause injury if dropped.



- 3** Connect the fan unit's wiring connector.

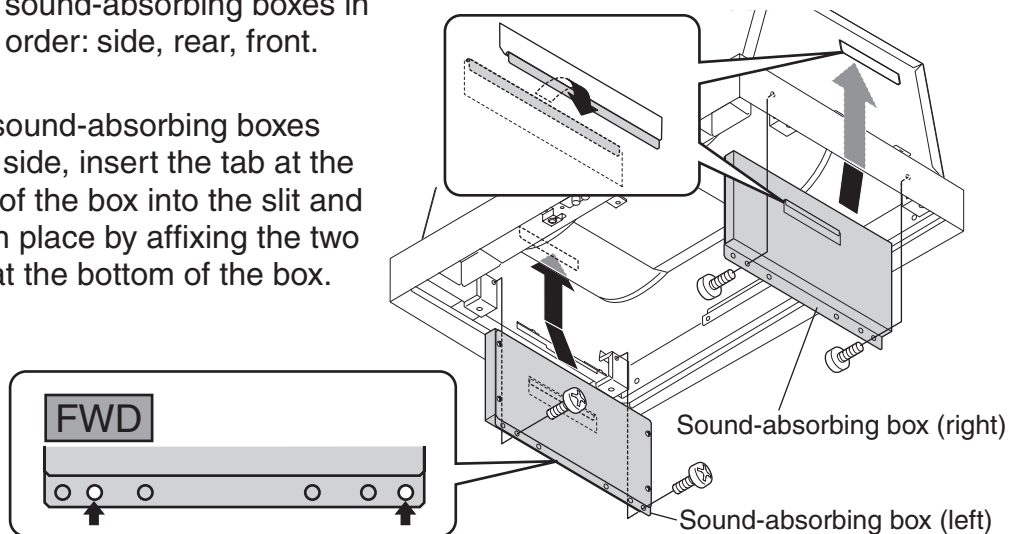
Note

Be sure to connect firmly as illustrated.



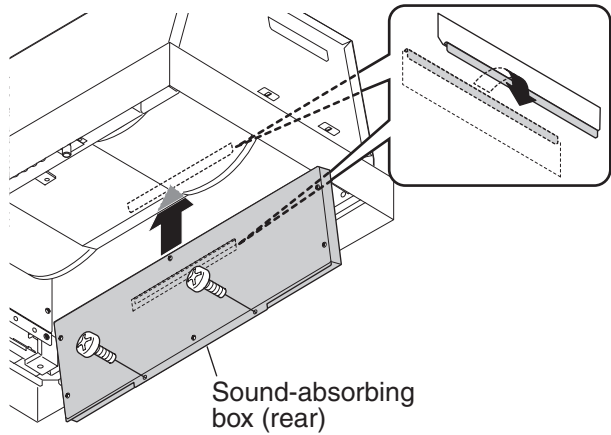
- 4** Reinstall the sound-absorbing boxes in the following order: side, rear, front.

- (1) For the sound-absorbing boxes on each side, insert the tab at the top part of the box into the slit and secure in place by affixing the two screws at the bottom of the box.

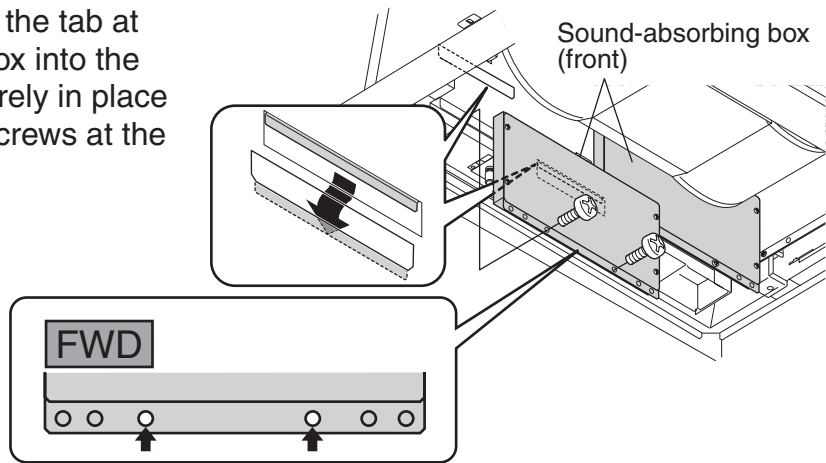


INSTALLATION (continued)

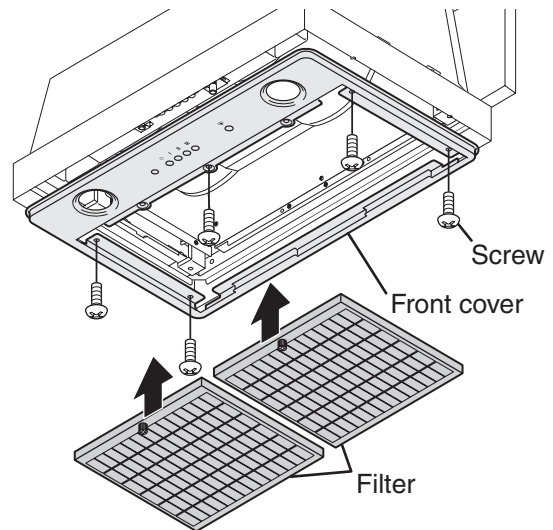
- (2) In a similar manner as with the side boxes, insert the tab at the top part of the rear sound-absorbing box into the slit and secure in place by affixing the two screws at the bottom of the box.



- (3) For each box, insert the tab at the top part of the box into the slit and tighten securely in place by affixing the two screws at the bottom of the box.



- 5** Attach the front cover, and secure it with 5 screws. Then attach the filters. Make sure to align the unit switch buttons with the respective cutouts in the front cover.



INSTALLATION (continued)

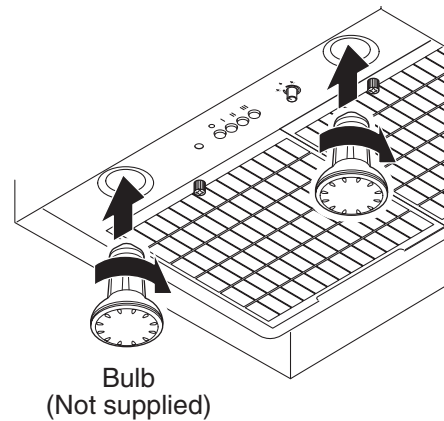
- 6** Two 50 Watt halogen light bulbs (not supplied) can be mounted in this range hood.

Prior to function check, install light bulbs (PAR20 bulb, with base diameter 26 mm: medium base), rated at 120 V - 50 Watt or below.

The following light bulbs are recommended for this range hood.

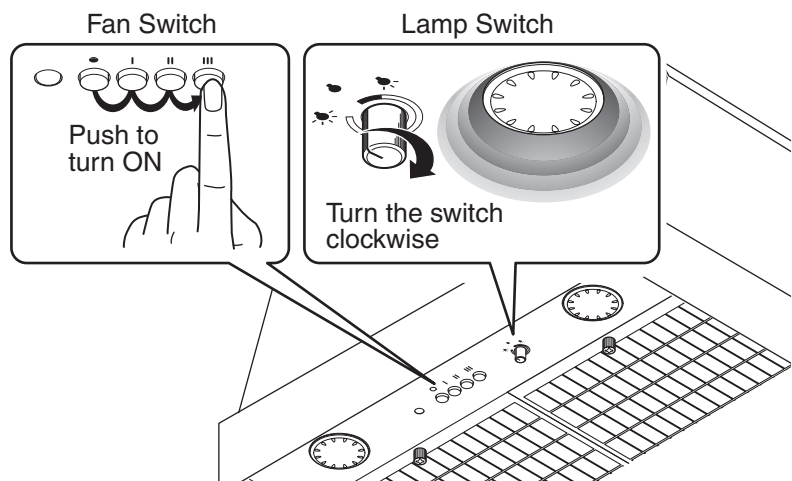
- GE Model No. 50PAR20H/FL25
- SYLVANIA Model No. 50PAR20/HAL/DL/NFL

Turn the lamps clock-wise to install.



7 Operation check

- (1) Turn on the power to the range hood.
- (2) Make sure that the switches and light operate correctly. Refer to page 4 of the Operation Manual.
- (3) Make sure that the range hood functions properly and it has no abnormal noises and/or vibration.



5. Explanation to the End User by Installer

- (1) Referring to the Operation Manual, explain the operation of this range hood to end users.
- (2) The Installation Manual and Operation Manual should be given to the end user.