

Model: EBW-300/360

# INSTALLATION MANUAL

## SAFETY INSTRUCTIONS

Before installation and operation, read these instructions carefully and use this product only in the manner described by the manufacturer in the operation manual. The instruction shown below are used to alert you to potential personal injury and property damage hazards. There are three hazard classifications based on potentially dangerous situations. Obey all safety instructions that show these symbols to avoid possible injury, death and property damage.

- WARNING:** WARNING indicates a potentially hazardous situation which, if not avoided, could result in death or serious injury.
- CAUTION:** CAUTION indicates a potentially hazardous situation which, if not avoided, may result in minor or moderate injury.
- CAUTION:** CAUTION used without the safety alert symbol indicates a potentially hazardous situation which, if not avoided, may result in property damage.

**NOTE:** The safety instructions are explained with the following pictographic symbols.

- means prohibition. It indicates actions, if any, that mustn't be done.
- means forcible execution. It indicates actions, if any, that must be done.

### WARNING

1. TO REDUCE THE RISK OF FIRE, ELECTRIC SHOCK, OR INJURY TO PERSONS, OBSERVE THE FOLLOWING:
  - a) Use this unit only in the manner intended by the manufacturer. If you have questions, contact the manufacturer.
  - b) Before servicing or cleaning the unit, switch power off at service panel and lock the service disconnecting means to prevent power from being switched on accidentally. When the service disconnecting means cannot be locked, securely fasten a prominent warning device, such as a tag, to the service panel.
2. To reduce the risk of fire or electric shock, do not use this product with any solid-state speed control device.
3. TO REDUCE THE RISK OF FIRE, ELECTRIC SHOCK, OR INJURY TO PERSONS, OBSERVE THE FOLLOWING:
  - a) Installation work and electrical wiring must be done by a qualified person(s) in accordance with all applicable codes and standards, including fire-rated construction.

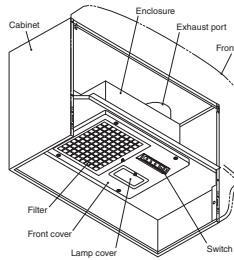
- b) Sufficient air is needed for proper combustion and exhausting of gases through the flue (chimney) of fuel burning equipment to prevent back drafting. Follow the heating equipment manufacturer's guidelines and safety standards such as those published by the National Fire Protection Association (NFPA), and The American Society for Heating, Refrigeration and Air Conditioning Engineers (ASHRAE), and the local code authorities.
- c) When cutting or drilling into wall or ceiling, do not damage electrical wiring and other hidden utilities.
- d) Ducted fan must always be vented to outdoors.

4. TO REDUCE THE RISK OF FIRE, USE ONLY METAL DUCTWORK.
5. This unit must be grounded.
6. Check that the hood is correctly installed, since incorrect installation could result in the range hood becoming detached and falling off.
7. Connect only to an AC120 Volt power source or the range hood could result in fire, electric shock, and damage.

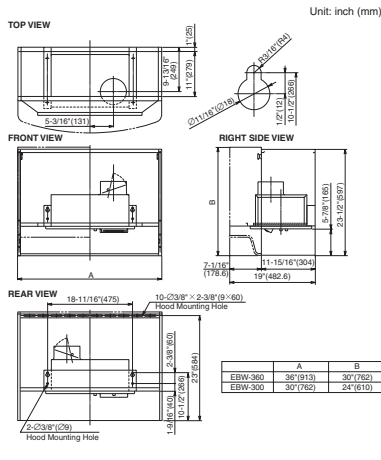
### CAUTION

1. For general ventilating use only. Do not use to exhaust hazardous or explosive material and vapors.
2. To reduce the risk of fire and to properly exhaust air, be sure to duct air outside. Do not vent exhaust air into spaces within walls, ceilings or into attics, crawl spaces or garages.
3. Read specification label on this product for further information and requirements.
4. Use only for the purpose of kitchen ventilation.
5. Do not install this range hood in the bathroom or in other wet rooms since electrical shock and damage may result.
6. Fasten the filter and other parts securely. Incorrect attachment may result in personal injury or property damage.

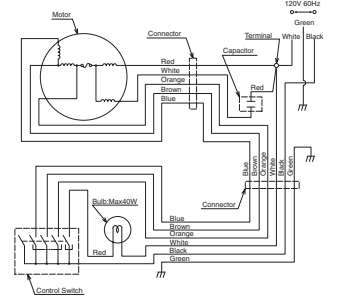
## NAMES OF PARTS



## DIMENSIONS



## CIRCUIT DIAGRAM



## ACCESSORIES

- Screw M5.1x45 ..... Stk (6) pcs.
- Screw M4x10 ..... Two (2) pcs.

## RANGE HOOD LOCATION

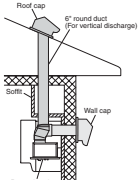
- 1 The range hood must be installed just above the cooktop.
  - 2 The minimum distance from the cooking surface to the front cover of the range hood must be 24".
  - 3 The total weight of the range hood units are as follows:
    - EBW-300 32.0 lbs. (14.5kg)
    - EBW-360 34.2 lbs. (15.5kg)
 without front panel
  - 4 Power requirements are: AC120 V, 60 Hz, 2 Amp
- CAUTION:** Check that the hood is correctly installed, since incorrect installation could result in the detachment of the range hood and the unit could fall down. To protect hands from injury, wear working gloves when installing the range hood.

# INSTALLATION

## 1. Preparation

- WARNING:** Ensure that the metal duct does not touch other metal housing materials, otherwise fire or electric shock could result.

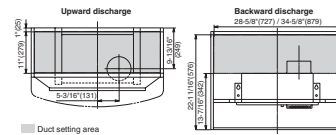
1 This range hood is designed to discharge upward or backward. For vertical or horizontal discharge, run duct work between the hood location and roof cap or wall cap location. To get the best result, use a minimum number of transitions and elbows. Be sure to attach a roof cap or wall cap to avoid rain from entering into the exhaust duct.



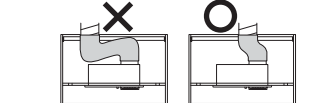
- CAUTION:** Install the range hood unit on a wall where durable enough to support its weight. Otherwise, it may be detached and fall down.

2 Arrange the ends of 6" round duct and wiring conduit so that they can connect with the top of the range hood unit.

**Note:** Use an adjustable transition duct (not supplied) to connect the exhaust port with 6" round duct as illustrated.

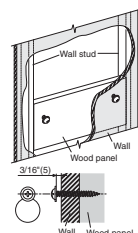


**Note:** Flexible ducting not recommended.



3 Referring to "DIMENSIONS" above, insert 2 supplied screws (M5.1x45) into the mounting wall for the left and right keyholes of the cabinet. Allow about 5mm space between the wall and screw-heads for hanging.

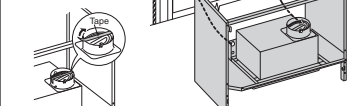
**Note:** Be sure to reinforce the wall with some wood panel.



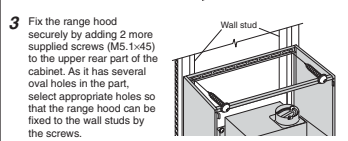
## 2. Range Hood Mounting

- CAUTION:** Wear working gloves to avoid injury.

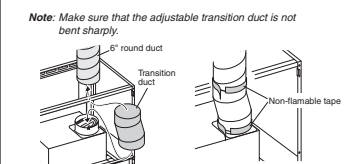
1 Detach the tape on the exhaust port, then hook both the left and right keyholes of the cabinet on the screws provided "1. Preparation" in step 3.



2 Tighten both the left and right screws, then put 2 supplied screws (M5.1x45) in the holes under the keyholes and tighten them firmly.



3 Fix the range hood securely by adding 2 more supplied screws (M5.1x45) to the upper rear part of the cabinet. As it has several oval holes in the part, select appropriate holes so that the range hood can be fixed to the wall studs by the screws.



## 3. Connecting Power Supply Wires

- WARNING:** Electrical wiring should be done by a qualified person(s) in accordance with all applicable codes and standards, including fire-rated construction. An unqualified person doing the work could result in fire, electric shock or injury.
- This range hood uses 120V AC. Do not connect to other voltage since fire, electric shock or damage could result.

1 Remove 4 screws fixing the front cover. The cover swings open 90° as shown.

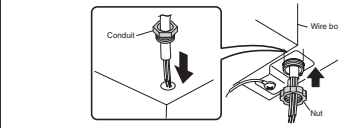
**Note:** Do not detach the cover from the range hood unit, as its hinge may be damaged.

2 Remove the nut from the conduit connector at the end of power wiring.

- WARNING:** Be sure to switch OFF the power at service panel before wiring.

3 Remove one screw fixing the wire cover and detach it.

4 Connect the conduit through the connecting hole of the enclosure using the nut previously removed.



5 Connect wires tightly and securely using wire connectors (not supplied). Connect the electrical wires as follows:

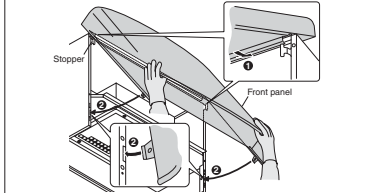
- Black to Black
- White to White
- Green to Green

6 Replace the wire cover with the screw removed previously. Make sure that all wires are connected properly and enclosed inside of the wiring compartment.

7 Replace the front cover with 4 screws.

## 4. Attaching Front Panel

1 With holding the front panel by both hands, engage the upper hook of the front panel with the crossbar of the cabinet.



2 Lower the bottom of the front panel slowly with checking that the front panel has hung on the left and right stoppers of the cabinet, then insert both the left and right tabs of the front panel into the slots of the cabinet.

**Note:** Be careful not to drop the front panel to avoid injury.

3 Fix the front panel using 2 screws (M4x10) supplied.

4 Attach 2 blind plates (supplied with the front panel) to the left and right of the front panel as illustrated.

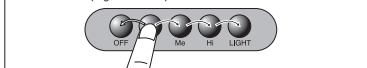
- (1) Hook the blind plate on the front panel.
- (2) Press the blind plate until it is locked.

## 5. Assembly and Check

1 **Assembly**  
One 40 W hi-intensity light bulb (not supplied) can be mounted in this range hood. Prior to function check, install a light bulb (in the base diameter 17 mm; intermediate base), rated 120 V - 40 W or below.

Turn the lamp clockwise to install after opening the lamp cover.

2 **Check**  
(1) Turn on the power to the range hood.  
(2) Make sure that the switches and light operate correctly. Refer to page 4 of the Operation Manual.



(3) Make sure that the range hood functions properly and it has no abnormal noises and/or vibration.

## 6. Explanation to the End User

- (1) Referring to the Operation Manual, explain the operation of this range hood to the end user.
- (2) The installation Manual and Operation Manual should be given to the end user.