



# Range Hood INSTALLATION MANUAL

MODEL: FSR-30/FSR-36  
FES-30/FES-36

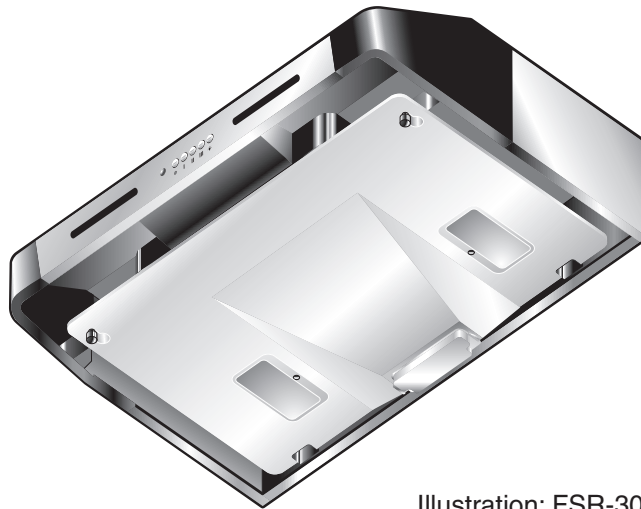


Illustration: FSR-30/FSR-36

|                        |                          |                         |                    |
|------------------------|--------------------------|-------------------------|--------------------|
| <b>English</b><br>2~16 | <b>Français</b><br>17~32 | <b>Español</b><br>33~48 | <b>中文</b><br>49~64 |
|------------------------|--------------------------|-------------------------|--------------------|

## TABLE OF CONTENTS

|  |        |
|--|--------|
| Safety Instructions.....                         | 2, 3   |
| Name of Parts .....                              | 4      |
| Circuit Diagram .....                            | 5      |
| Dimensions .....                                 | 5      |
| Range Hood Location .....                        | 6      |
| Installation .....                               | 7~15   |
| 1. Preparation .....                             | 7~11   |
| 2. Range Hood Mounting .....                     | 12     |
| 3. Connecting Power Supply Wires.....            | 13     |
| 4. Final Assembly and Check.....                 | 14, 15 |
| 5. Explanation to the End User by Installer..... | 15     |

**READ AND SAVE THESE INSTRUCTIONS.**  
Keep this manual in a convenient place for future reference.

**FUJI INDUSTRIAL CO., LTD.**

Made in Japan

1U03 3181



\* 1 U 0 3 3 1 8 1 \*


# SAFETY INSTRUCTIONS


Before installation and operation, read these instructions carefully and use this product only in the manner described by the manufacturer in the operation manual.

The instruction shown below are used to alert you to potential personal injury and property damage hazards.

There are three hazard classifications based on potentially dangerous situations.








Obey all safety instructions that show these symbols to avoid possible injury, death and/or property damage.

 **WARNING:** WARNING indicates a potentially hazardous situation which, if not avoided, could result in death or serious injury.








 **CAUTION:** CAUTION indicates a potentially hazardous situation which, if not avoided, may result in minor or moderate injury.

**CAUTION:** CAUTION used without the safety alert symbol indicates a potentially hazardous situation which, if not avoided, may result in property damage.

## WARNING

|   |   |
|---|---|
|    | <p>1. TO REDUCE THE RISK OF FIRE, ELECTRIC SHOCK, OR INJURY TO PERSONS, OBSERVE THE FOLLOWING:</p> <p>a) Use this unit only in the manner intended by the manufacturer. If you have questions, contact the manufacturer.</p> <p>b) Before servicing or cleaning the unit, switch power off at service panel and lock the service disconnecting means to prevent power from being switched on accidentally. When the service disconnecting means cannot be locked, securely fasten a prominent warning device, such as a tag, to the service panel.</p>  |
|  | <p>2. To reduce the risk of fire or electric shock, do not use this product with any solid-state speed control device.</p>  |
|  | <p>3. TO REDUCE THE RISK OF FIRE, ELECTRIC SHOCK, OR INJURY TO PERSONS, OBSERVE THE FOLLOWING:</p> <p>a) Installation work and electrical wiring must be done by a qualified person(s) in accordance with all applicable codes and standards, including fire-rated construction.</p> <p>b) Sufficient air is needed for proper combustion and exhausting of gases through the flue (chimney) of fuel burning equipment to prevent back drafting. Follow the heating equipment manufacturer's guidelines and safety standards such as those published by the National Fire Protection Association (NFPA), and The American Society for Heating, Refrigeration and Air Conditioning Engineers (ASHRAE), and the local code authorities.</p> <p>c) When cutting or drilling into wall or ceiling, do not damage electrical wiring and other hidden utilities.</p> <p>d) Ducted fan must always be vented to outdoors.</p> <p>e) This unit is designed for ducted or ductless installation. When ductless kit part number FDK-0004 is installed, then this unit operates as recirculating. The end user is responsible to ensure compliance with all Federal, State and Local Environmental and Fire codes.</p> |
|  | <p>4. TO REDUCE THE RISK OF FIRE, USE ONLY METAL DUCTWORK.</p>  |
|  | <p>5. This unit must be grounded.</p>   |
|  | <p>6. Install this range hood to the cabinet. Check that the hood is correctly installed, since incorrect installation could result in the range hood becoming detached and falling off.</p>  |
|  | <p>7. Connect only to an AC120 Volt power source or the range hood could result in fire, electric shock, and damage.</p>  |

## **CAUTION**

|  |   |
|--|---|
|   | 1. For general ventilating use only. Do not use to exhaust hazardous or explosive material and vapors.  |
|   | 2. To reduce the risk of fire and to properly exhaust air, be sure to duct air outside. Do not vent exhaust air into spaces within walls, ceilings or into attics, crawl spaces or garages. |
|   | 3. Read specification label on this product for further information and requirements.   |
|   | 4. Use only for the purpose of kitchen ventilation.   |
|   | 5. Do not install this range hood in the bathroom or in other wet rooms since electrical shock and damage may result.   |
|   | 6. Fasten the filter and other parts securely. Incorrect attachment may result in personal injury or property damage.   |
|  | 7. Keep your hands and other objects away from the fan while it is in motion. The range hood may injure you or damage itself.   |

**NOTE:** *The safety instructions are explained with the following pictographic symbols.*



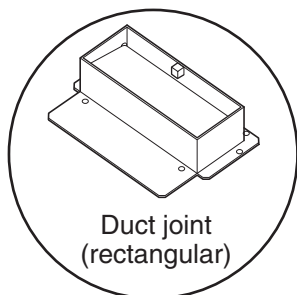
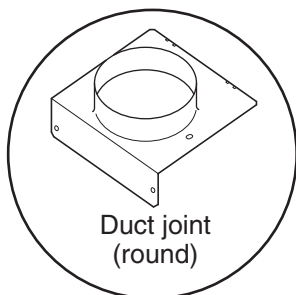
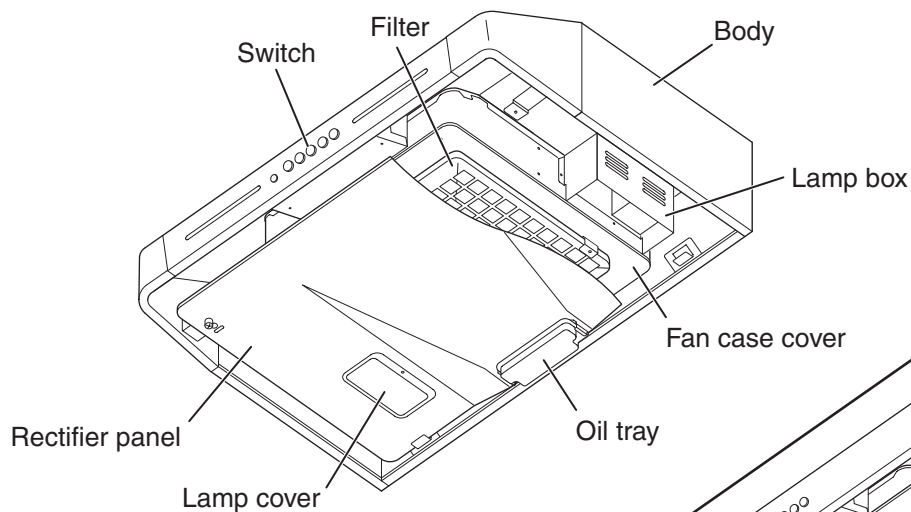
⊘ : means prohibition. It indicates actions, if any, that mustn't be done.



● : means forcible execution. It indicates actions, if any, that must be done.

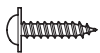


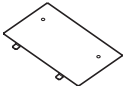
# NAME OF PARTS

**FSR-30/FSR-36**

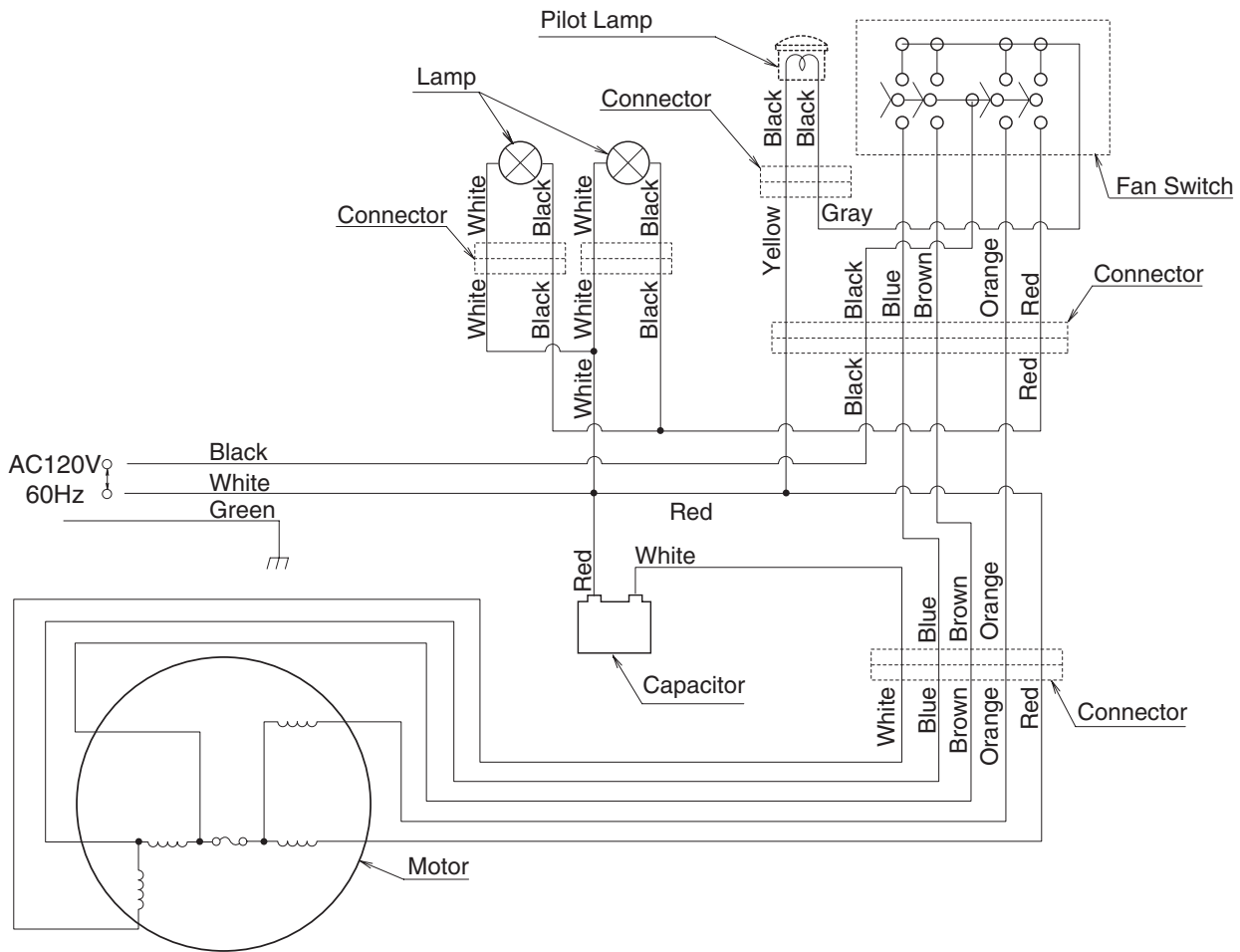


**FES-30/FES-36**

## Accessories

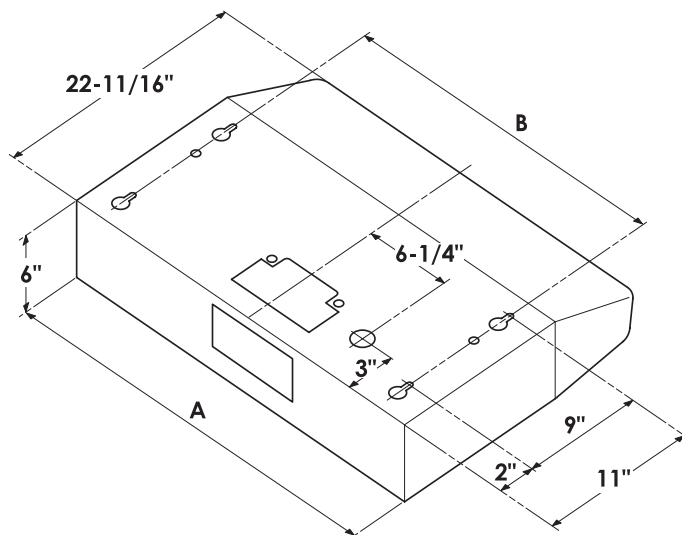
|   |                                      |
|---|--------------------------------------|
|  | Washer Head<br>Wood Screw (× 6 pcs.) |
|  | Screw (× 4 pcs.)                     |
|  | Soft Tape (× 1 pc.)                  |
|  | Cover Plate (× 1 pc.)                |

# CIRCUIT DIAGRAM



# DIMENSIONS

(Unit : inch)

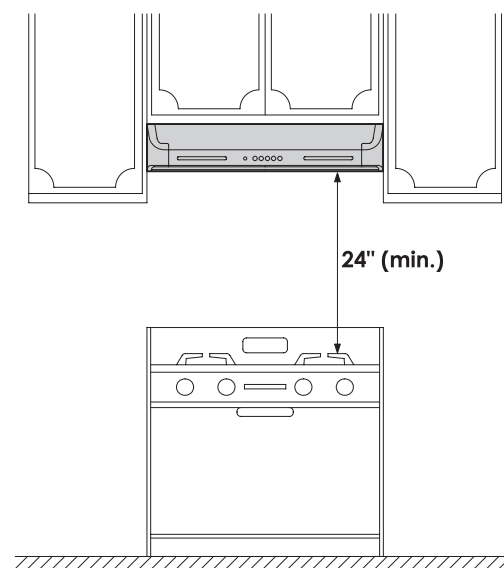


Dimensions

| Model         | A       | B  |
|---------------|---------|----|
| FSR-30/FES-30 | 29-7/8" | 27 |
| FSR-36/FES-36 | 35-7/8" | 33 |

# RANGE HOOD LOCATION

- 1 The range hood must be installed just above the cooktop.
- 2 The minimum distance from the cooking surface to the bottom of the range hood must be 24".



- 3 The total weight of the FSR/FES series range hood unit are;  
FSR-30/FES-30 ..... 35.3 lbs. (16 kg)  
FSR-36/FES-36 ..... 37.5 lbs. (17 kg)

- 4 Power requirements are:  
AC120 V, 60 Hz, 1.1 Amp

## **WARNING**

- Check that the hood is correctly installed, since incorrect installation could result in the detachment of the range hood and the unit could fall.

## **CAUTION**

- To protect hands from injury, wear working gloves when installing the range hood.

# INSTALLATION

## 1. Preparation

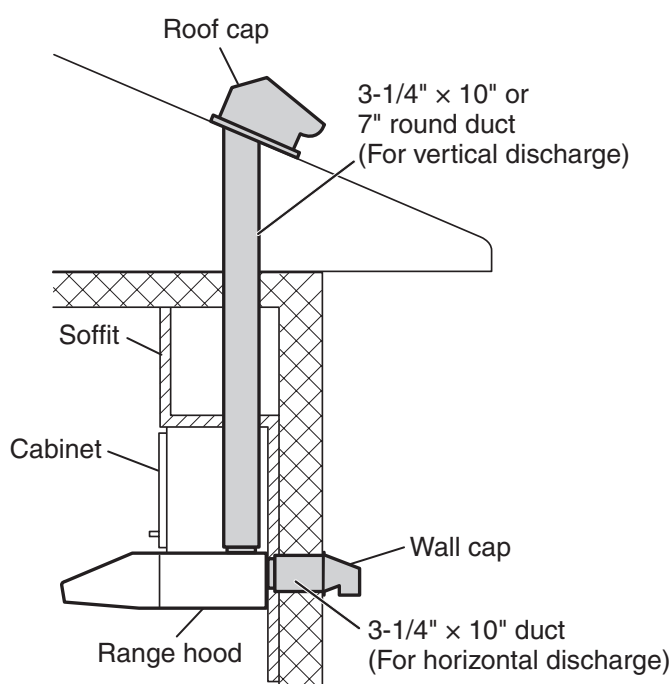
The following method is the standard installation.

There may be some different cases depending on the structure of the cabinet where the mounting bracket is placed or the shape and mounting condition of the unit to the cabinet. In such a case, please arrange best possible way according to the condition of the place where the range hood is being installed.

### WARNING

- If the range hood is not installed properly, it could become detached and fall.
- Ensure that the metal duct does not touch other metal housing materials, otherwise fire or electric shock could result.

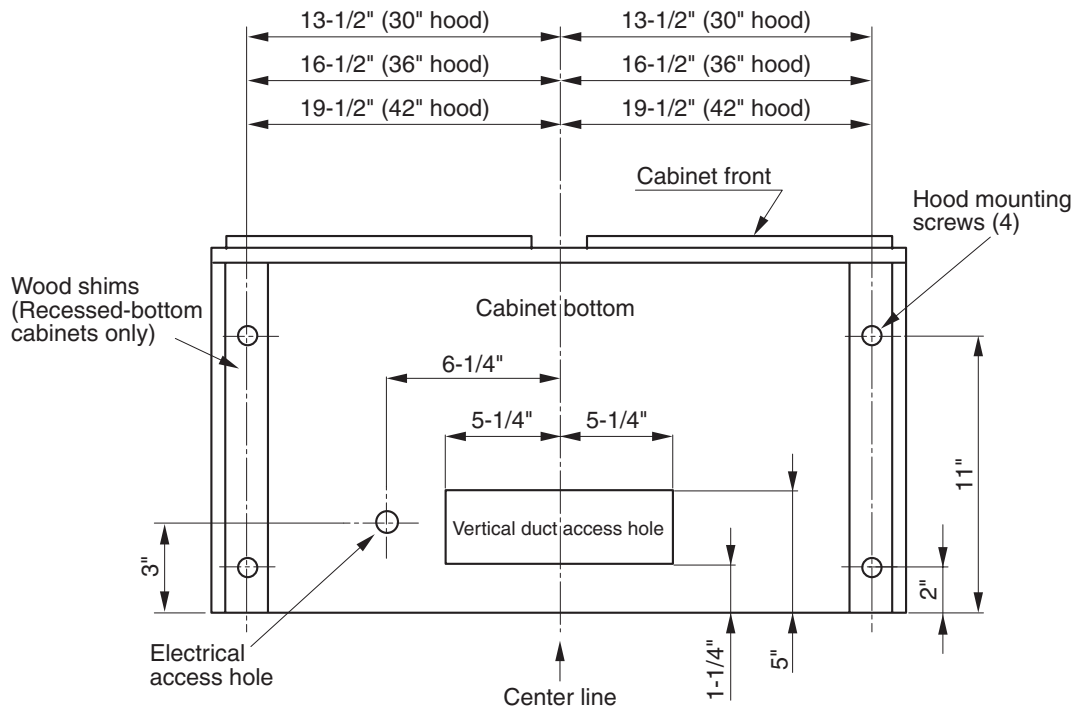
- 1 According to the conditions where the range hood is installed, determine whether it will be discharged vertically ( $3\frac{1}{4}$ "  $\times$  10" or 7" round duct) or horizontally ( $3\frac{1}{4}$ "  $\times$  10" only) from the unit. For vertical or horizontal discharge, run duct work between the hood location and the roof cap or wall cap. For best result in either direction, use minimum number of transitions and elbows. Be sure to attach a roof cap or wall cap to avoid rain/wind entry.



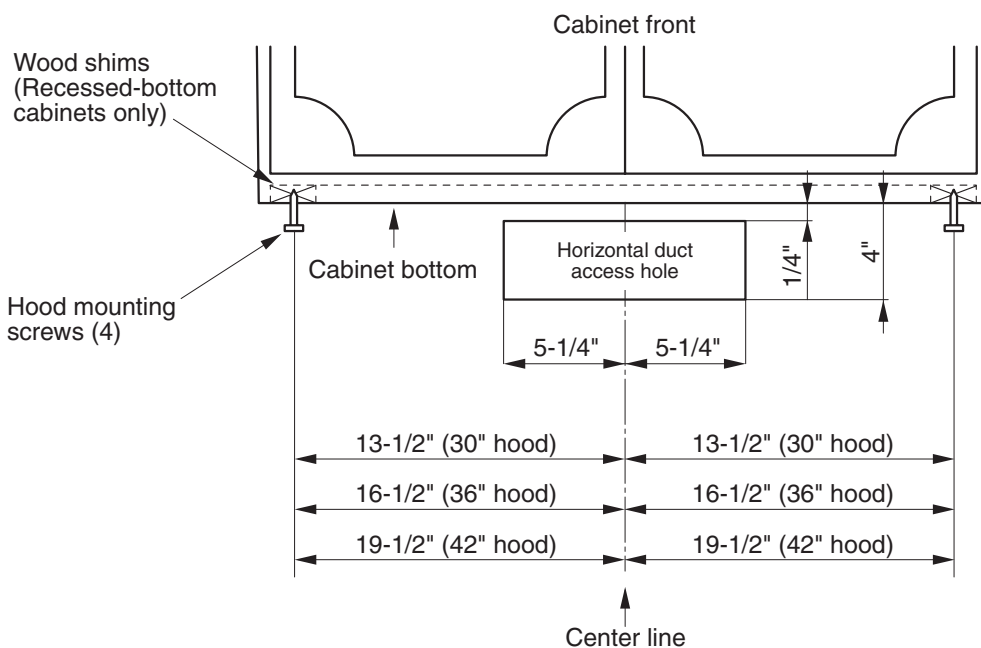
## INSTALLATION (continued)

**2** Use diagrams below, for proper placement of ductwork and electrical cutout in cabinet or wall.

### ■ 3 1/4" x 10" Vertical Ducting



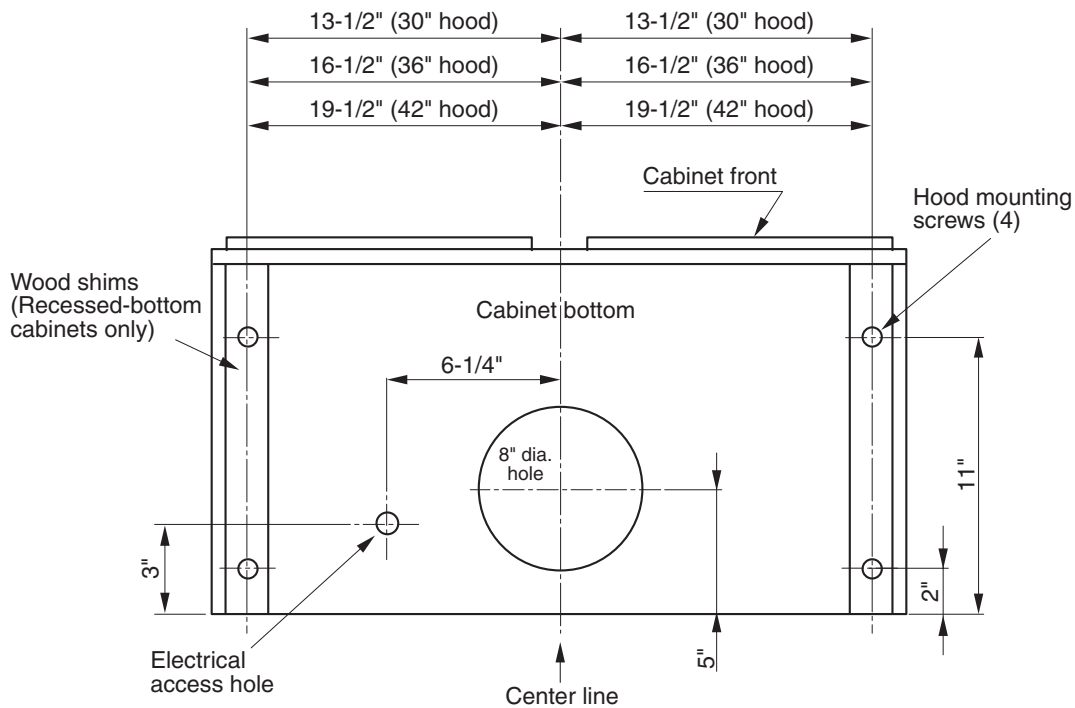
### ■ 3 1/4" x 10" Horizontal Ducting





## INSTALLATION (continued)

### ■ 7" Round Vertical Ducting



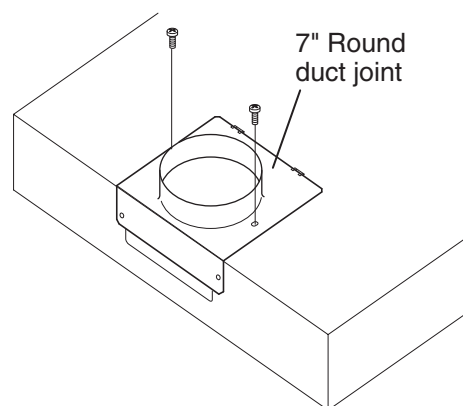
**3** Run house wiring between service panel and hood location.

**4** Prepare the range hood.

- (1) If you want to use the rectangular duct joint, remove the 7" round duct joint on the top plate of the body by removing 2 screws as shown.

**Note**

*Keep the screws for reusing later.*

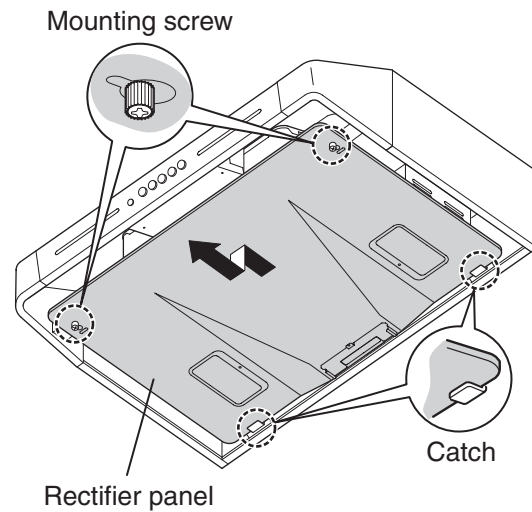


## INSTALLATION (continued)

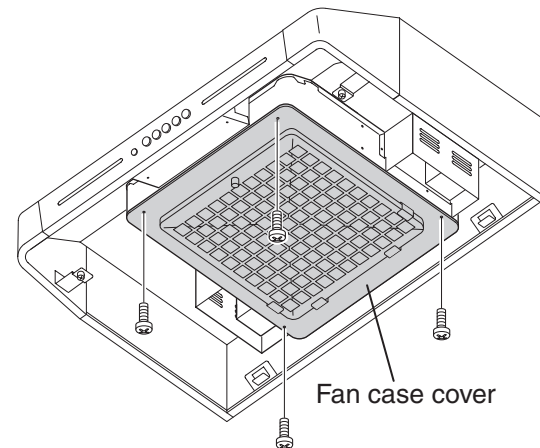
- (2) Loosen the mounting screws attaching the rectifier panel, pull the rectifier panel forward slightly to free the mounting screws from the mounting guide holes and the body catches.

**Note**

*Use a screwdriver if they are tight.*

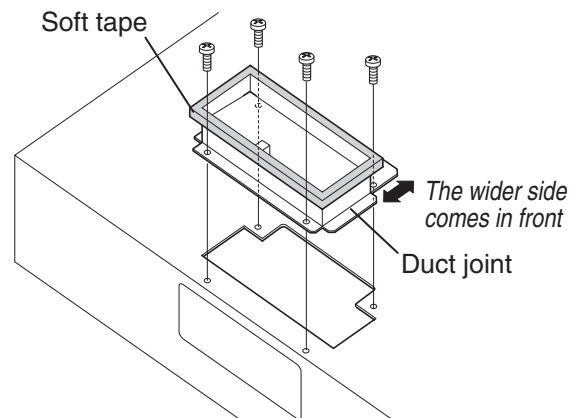


- (3) Remove the fan case cover by removing 4 screws.



### ■ In Case of 3¼" × 10" Vertical Discharge

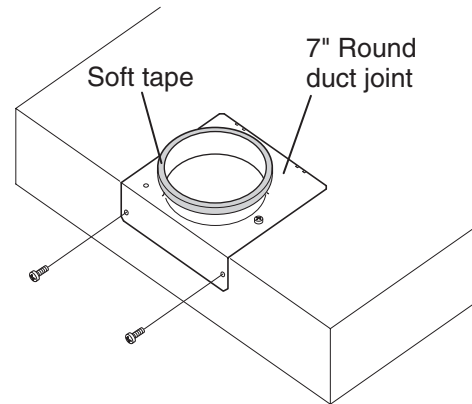
Mount the supplied 3¼"×10" rectangular duct joint on the top plate with 4 screws (2 pieces: removed in Step 4-1, the others: supplied). Then attach the supplied soft tape around the duct joint.



## INSTALLATION (continued)

### ■ In Case of 7" Round Vertical Discharge

Fix the round duct joint firmly by adding 2 screws supplied on its rear side, then attach the supplied soft tape around the duct joint.

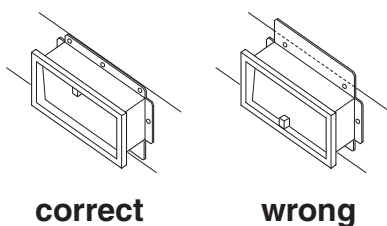


### ■ In Case of 3¼"×10" Horizontal Discharge

- (1) First, remove half-cut rectangular part of the rear plate (duct knockout) using a mallet, hammer, etc.
- (2) Mount the supplied 3¼"×10" rectangular duct joint with 2 screws.

#### Note

The wider side directs downward.

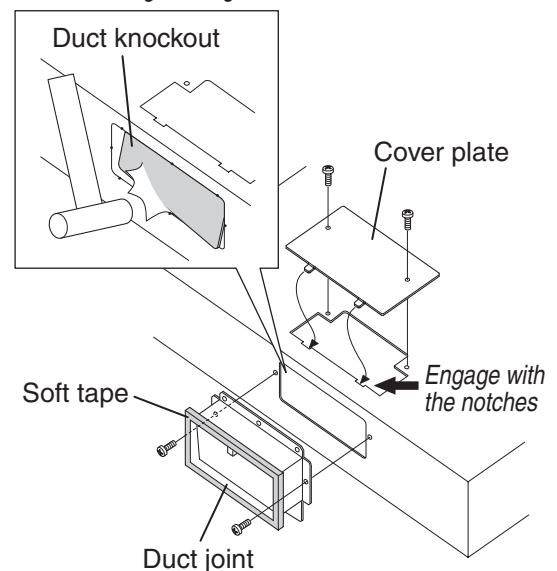


- (3) Then attach the supplied soft tape around the duct joint. To close the opening of the top plate, attach the supplied cover plate with 2 screws.

#### ⚠ CAUTION

- Do not apply excessive force when removing the knockout. The fan may be damaged.

Hit dented points on the rectangular edge

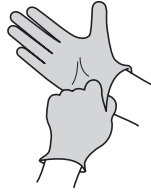


## INSTALLATION (continued)

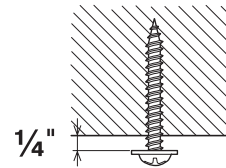
### 2. Range Hood Mounting

#### CAUTION

- Wear working gloves to avoid injury.



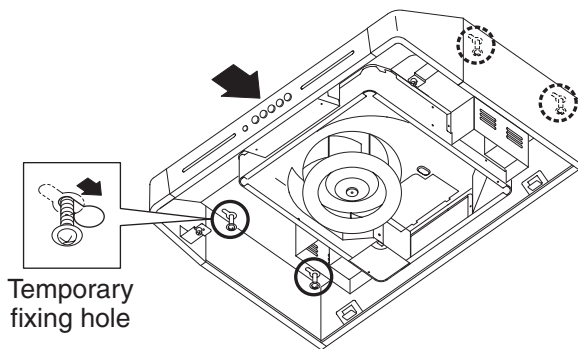
- 1 Referring to "DIMENSIONS" on page 5, insert 4 washer head wood screws into the bottom plate of the cabinet. Marking before screwing is recommended. Allow about 1/4" between the bottom plate and screwheads for hanging the hood body.



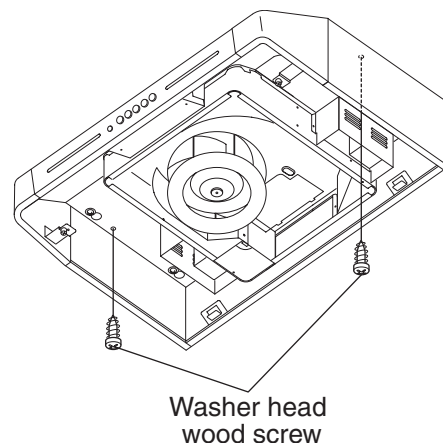
#### **Note**

Please use suitable accessories during installation (refer to page 4).  
May add or opt for other accessories as reinforcement when necessary.

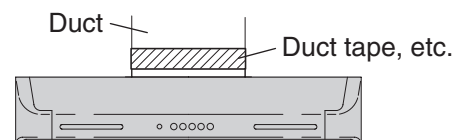
- 2 While inserting the duct joint into the duct end, hook the temporary fixing holes of the body on the screws, then slide the body backward until the screws are engaged in narrow end of the holes.



- 3 After ensuring that the range hood is positioned properly, tighten the 4 screws and fix it firmly using 2 more washer head wood screws.



- 4 Make the duct joint secure and airtight using non-flammable tape such as aluminum tape, etc. (not supplied)



## INSTALLATION (continued)

### 3. Connecting Power Supply Wires

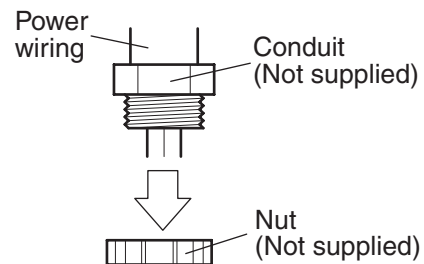
#### WARNING

- Electrical wiring should be done by a qualified person(s) in accordance with all applicable codes and standards, including fire-rated construction. An unqualified person doing the work could result in fire, electric shock or injury.
- This range hood uses 120V AC. Do not connect to other voltage since fire, electric shock or damage could result.

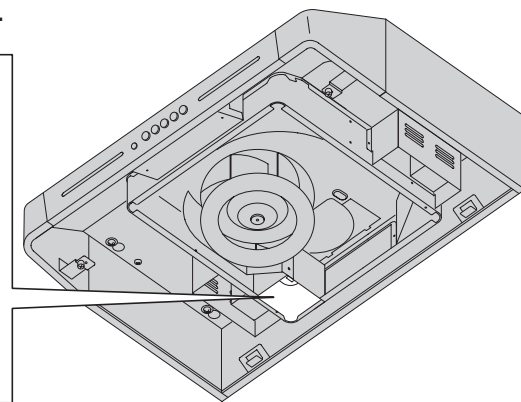
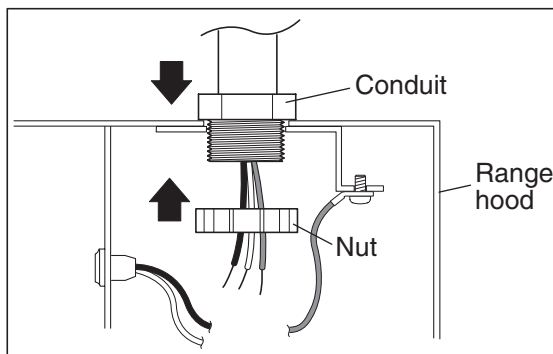
- 1 Remove the nut from the conduit connector at the end of power wiring.

#### WARNING

- Be sure to switch power OFF at service panel before wiring.



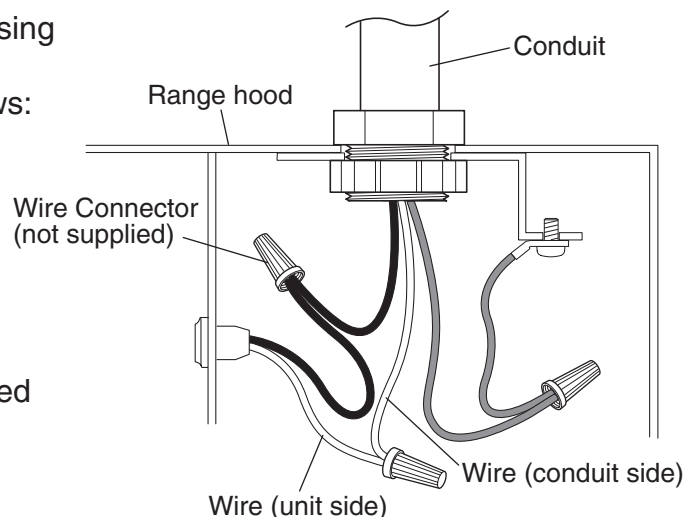
- 2 Connect the conduit through the connecting hole of the body using the nut previously removed.



- 3 Connect wires tightly and securely using wire connectors (not supplied). Connect the electrical wires as follows:

- Black to Black
- White to White
- Green to Green

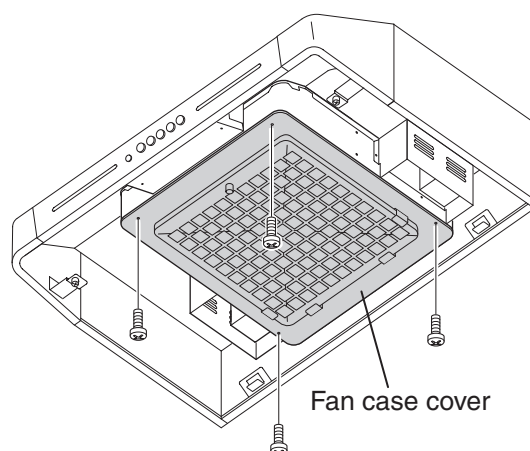
- 4 Make sure that all wires are connected properly and enclosed inside of the wiring compartment.



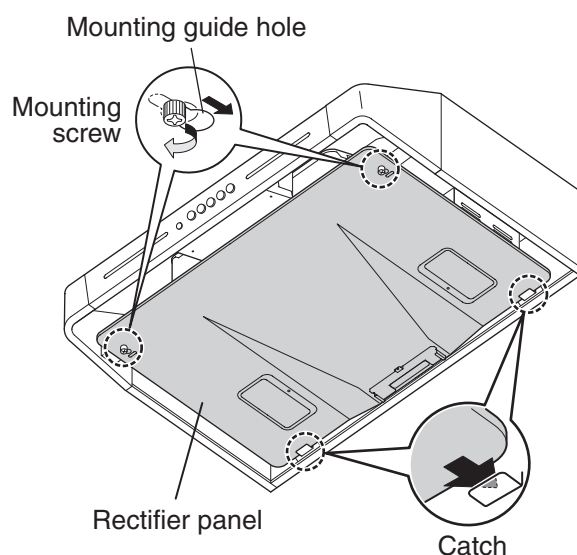
## INSTALLATION (continued)

### 4. Final Assembly and Check

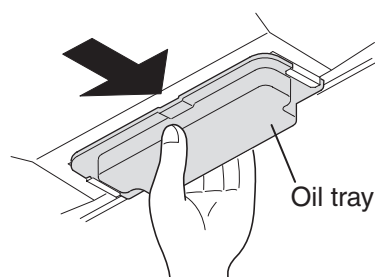
- 1 Attaching fan case cover**  
 Attach the fan case cover with 4 screws previously removed.



- 2 Attaching rectifier panel**  
 Holding the rectifier panel with both hands, place the rear of the panel in front of the catches and in line with the mounting guide holes. Then slide the panel back to engage the mounting guides and attach the catches. Tighten the mounting screw to attach the panel firmly.



- 3 Attaching oil tray**  
 Set the oil tray on the guide rail of the cooker hood, then push it completely to the end.



## INSTALLATION (continued)

### 4 Installing the light bulbs

Two 13 Watt compact fluorescent light bulbs (not supplied) can be installed in this range hood.

Prior to operation check, install two compact fluorescent light bulbs (Minitwist, E26, 120V, 13W).

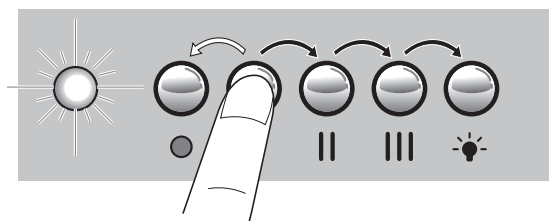
The following light bulbs are recommended for this range hood.

- SYLVANIA CF13EL/MICRO 120V, 13W

Turn the lamps clock-wise to install.

### 5 Operation check

- (1) Turn on the electrical circuit to the range hood.
- (2) Make sure that the switches and light operate correctly.  
Refer to page 4 of the Operation Manual.
- (3) Check the ventilating functions at Low ( I ), Medium ( II ) and High ( III ) positions.



- (4) Make sure that the range hood functions properly and it has no abnormal noises and/or vibration.

- ⚠ CAUTION**
- To reduce the risk of injury, keep your hands and other objects away from the fan while it is in motion.
  - Wear working gloves to avoid injury.

## 5. Explanation to the End User by Installer

- (1) Referring to the Operation Manual, explain the operation of this range hood to end users.
- (2) The Installation Manual and Operation Manual should be given to the end user.