



Range Hood OPERATION MANUAL

MODEL: FSR-30/FSR-36
FES-30/FES-36

English
2~12

Français
13~24

Español
25~36

中文
37~48

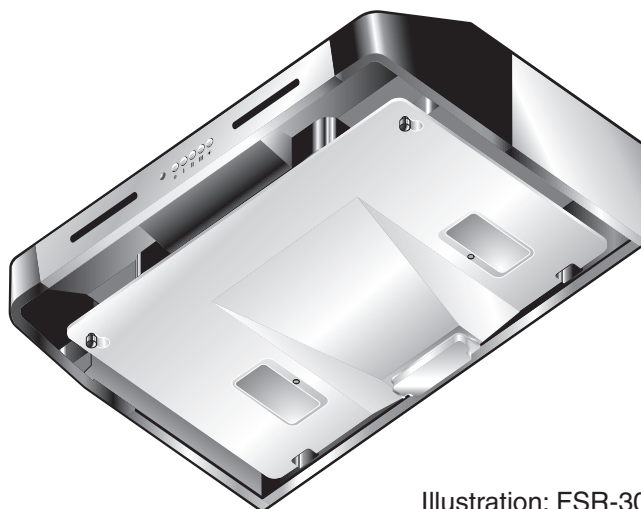


Illustration: FSR-30/FSR-36

TABLE OF CONTENTS

Safety Instructions.....	2, 3
Name of Parts	4
Operating the Range Hood	5
How to Use.....	5
Care and Maintenance.....	6
Disassembling.....	7
Cleaning.....	7
Re-assembling	8
Replacing the Light Bulb	8
Requesting Service.....	9
Prior to Requesting Service	9
Inspection Label.....	9
Specifications	10
Circuit Diagram	10
Parts List	11
Limited Product Warranty.....	12

READ AND SAVE THESE INSTRUCTIONS.

Keep this manual in a convenient place for future reference.

FUJI INDUSTRIAL CO., LTD.

Made in Japan

1U02 2281



* 1 U 0 2 2 2 8 1 *

SAFETY INSTRUCTIONS

Before installation and operation, read these instructions carefully and use this product only in the manner described by the manufacturer in the operation manual.

The signal words shown below are used to alert you to potential personal injury and property damage hazards.

There are three hazard classifications based on potentially dangerous situations.

Obey all safety instructions that show these symbols to avoid possible injury, death and/or property damage.

 **WARNING:**

WARNING indicates a potentially hazardous situation which, if not avoided, could result in death or serious injury.







 **CAUTION:**

CAUTION indicates a potentially hazardous situation which, if not avoided, may result in minor or moderate injury.









CAUTION:

CAUTION used without the safety alert symbol indicates a potentially hazardous situation which, if not avoided, may result in property damage.

WARNING

- | | |
|---|---|
|  | <p>1. TO REDUCE THE RISK OF FIRE, ELECTRIC SHOCK, OR INJURY TO PERSONS, OBSERVE THE FOLLOWING:</p> <ul style="list-style-type: none"> a) Use this unit only in the manner intended by the manufacturer. If you have questions, contact the manufacturer. b) Before servicing or cleaning the unit, switch power off at service panel and lock the service disconnecting means to prevent power from being switched on accidentally. When the service disconnecting means cannot be locked, securely fasten a prominent warning device, such as a tag, to the service panel. |
|  | <p>2. TO REDUCE THE RISK OF A RANGE TOP GREASE FIRE:</p> <ul style="list-style-type: none"> a) Never leave surface units unattended at high settings. Boilovers cause smoking and greasy spillovers that may ignite. Heat oils slowly on low or medium settings. b) Always turn hood ON when cooking at high heat or when flambeing foods (i.e. Crepes Suzette, Cherries Jubilee, Peppercorn Beef Flambe). c) Clean ventilating fans frequently. Grease should not be allowed to accumulate on fan or filter. d) Use proper pan size. Always use cookware appropriate for the size of the surface element. |
|  | <p>3. TO REDUCE THE RISK OF INJURY TO PERSONS IN THE EVENT OF A RANGE TOP GREASE FIRE, OBSERVE THE FOLLOWING:</p> <ul style="list-style-type: none"> a) SMOTHER FLAMES with a close-fitting lid, cookie sheet, or metal tray, then turn off the burner. BE CAREFUL TO PREVENT BURNS. If the flames do not go out immediately, EVACUATE AND CALL THE FIRE DEPARTMENT. b) NEVER PICK UP A FLAMING PAN - you may be burned. c) DO NOT USE WATER, including wet dishcloths or towels - a violent steam explosion will result. d) Use an extinguisher ONLY if: <ul style="list-style-type: none"> 1) You have a class ABC extinguisher, and know how to operate it. 2) The fire is small and contained in the area where it started. 3) The fire department is being called. 4) You can fight the fire with your back to an exit. |
|  | <p>4. Do not place any electrical parts in water or spray water on them. Such a situation could result in fire or electrical shock.</p> |
|  | <p>5. In the situation of a potential gas leakage, do not switch the unit on and off as it could result in a gas explosion.</p> |
|  | <p>6. Do not attempt to modify or repair this product. Refer all servicing to qualified personnel, otherwise it may result in fire, electric shock, or injury.</p> |


CAUTION

- | | |
|---|---|
|  | 1. For general ventilating use only. Do not use to exhaust hazardous or explosive material and vapors. |
|  | 2. To reduce the risk of fire and to properly exhaust air, be sure to duct air outside. Do not vent exhaust air into spaces within walls, ceilings or into attics, crawl spaces or garages. |
|  | 3. Read specification label on this product for further information and requirements. |
|  | 4. Switch power off at the service panel when you won't be using the range hood for a long period. If you do not do so, damage to the electrical insulation may result. |
|  | 5. Fasten the filter and other parts securely. Incorrect attachment may result in personal injury or damage to property. |
|  | 6. Do not use a commercially sold filter or filter cover on the filter part as it may affect its performance and cause trouble. |
|  | 7. Keep your hands and other objects away from the fan while it is in motion. If not, personal injury or damage may result. |
|  | 8. To protect hands from injury from the edges of the sheet metal, wear working gloves while servicing. |

NOTE:

The safety instructions are explained with the following pictographic symbols.



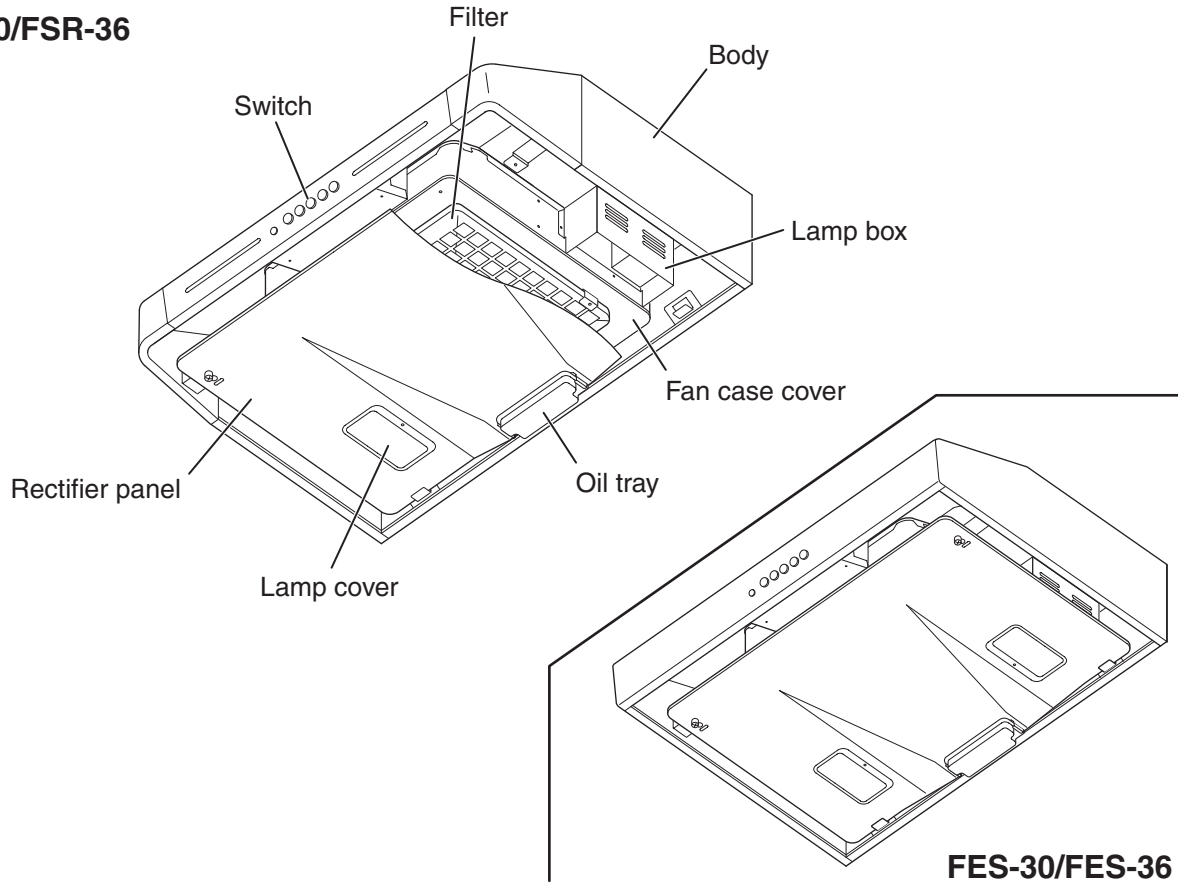
⊘ : means prohibition. It indicates actions, if any, that mustn't be done.



● : means forcible execution. It indicates actions, if any, that must be done.

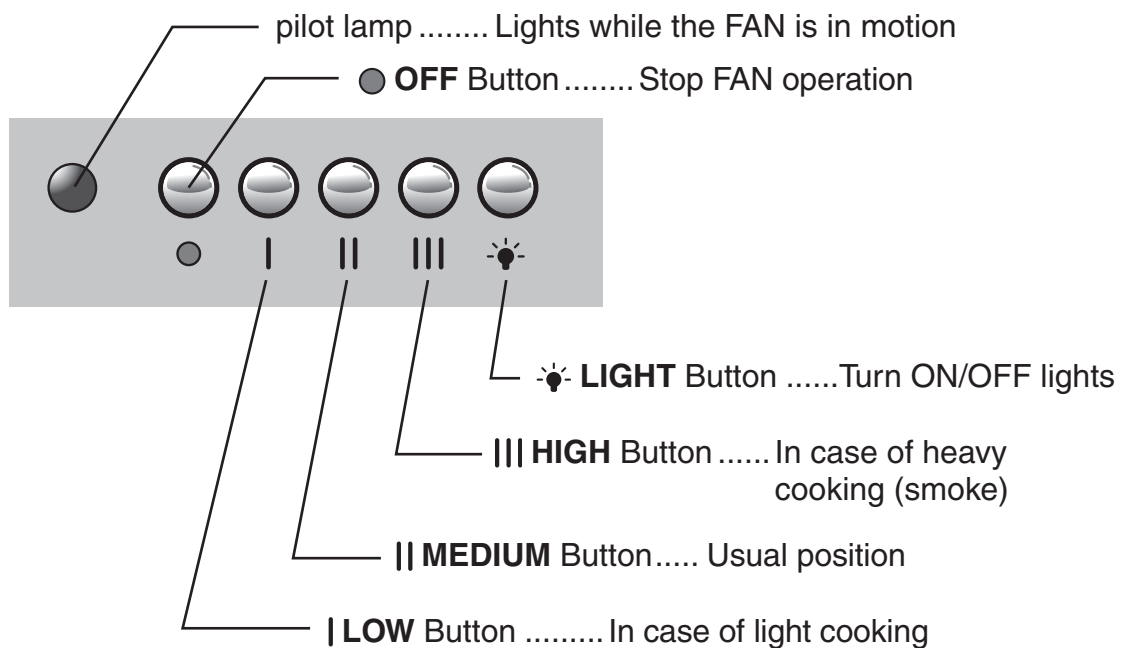
Name of parts

FSR-30/FSR-36



FES-30/FES-36

< Control Switch Buttons >



Operating the Range Hood

The range hood has five control switch buttons and one pilot lamp on its front panel.

- 1 Push one of the switches (Low, Medium, or High) according to your cooking need. The fan will start rotating.
- 2 To stop the fan, just push the OFF button.
- 3 Push the LIGHT button if you want to turn the light on. To turn it off, push the LIGHT button again.

NOTE:

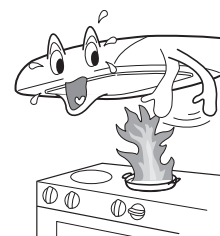
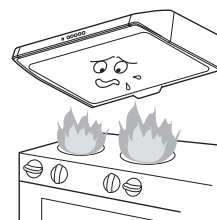
The pilot lamp turns on when the fan is rotating.

How to use

Before operation, make sure that the oil tray is installed securely on the rectifier panel.

⚠ CAUTION

- During cooking, do not touch the filters or their screws. If the filters are attached incorrectly, they may become detached and fall down.
- Do not touch the lamps or their peripheral areas when they are ON, or injury may result.
- Do not use a gas range with nothing on the burners. Otherwise the range hood could become overheated and might cause damage to the unit.
- Stop operation of the range hood immediately if a fire occurs while cooking. Continued operation of the range hood will add intensity to the fire.

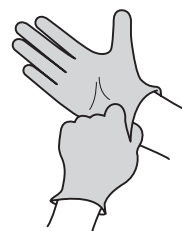
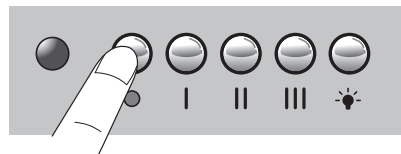


Care and maintenance

Clean the range hood often (especially, clean the filter/s once a month) as it becomes dirty, function may deteriorate if it's left unclean. For a family size of 4 to 5 people and cooking twice a day, clean the filter once every two weeks to avoid grease build-up, which is difficult to clean.

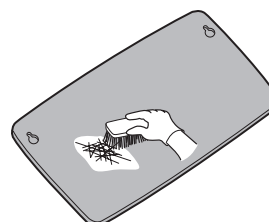
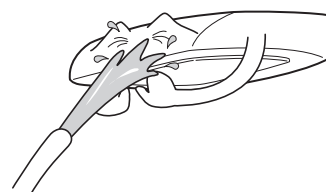
⚠ CAUTION

- Before replacing the light bulb or cleaning the range hood, be sure to set the lamp and off switches to the OFF position, then switch off the breaker at service panel.
- For safety, always wear working gloves, safety glasses or goggles while cleaning the filter, etc.
- Keep other people at a safe distance when cleaning to avoid injury from unexpected falling of filter or splashing of detergent.
- If the bulb burns out, wait until it has cooled off before removing, or you may burn your hand.



CAUTION

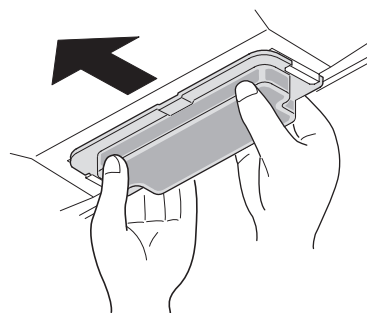
- Do not splash water on the electrical parts such as the switches, motors or connectors. Do not use a spray type detergent to clean electrical parts. It may cause electrical shock or damage to the unit.
- Do not use solvents such as thinner, benzine or polishing powder for cleaning the painted surfaces, face plates, etc. as these parts may become dull or scratched.
- Do not wash parts with any type of hard brush as they can cause damage.



Disassembling

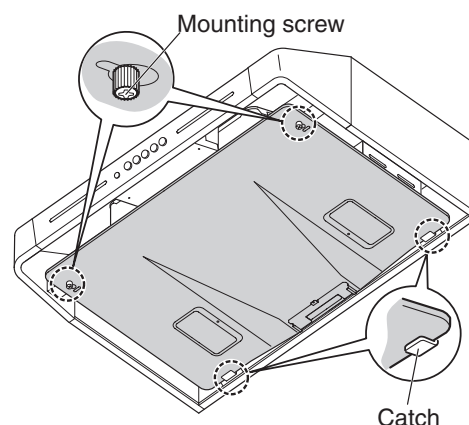
- Oil tray**
 Hold the oil tray at its both ends and slide forward.

NOTE:
 The tray may be filled with oil, so be careful when removing it.

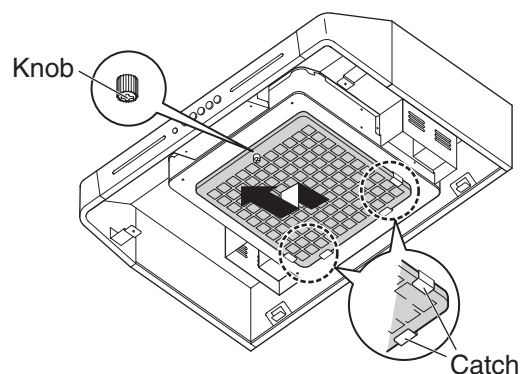


- Rectifier panel**
 Loosen the mounting screws attaching the rectifier panel, pull the rectifier panel forward slightly to free the mounting screws from the mounting guide holes and the body catches.

NOTE:
 Use a screwdriver if they are tight.

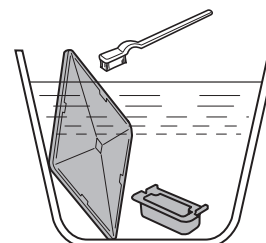


- Filter**
 First, remove one knob fixing the filter, then slide it to the arrow direction to disengage from the catches.

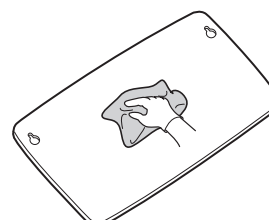


Cleaning

- Filter and oil tray**
 After immersing the filter and oil tray in water with a mild detergent for 30 to 40 minutes, wash them with a toothbrush or the like to remove dirt.
 Clean the filter frequently to avoid grease contamination and grease build-up, which is difficult to clean.



- Rectifier panel**
 Wash the rectifier panel in tepid water with a mild dissolved detergent. After washing, wipe it off thoroughly with a dry cloth.



- 3 Range hood body**
Wipe the range hood body off with a cloth immersed in a mild detergent. Then, wipe off moisture thoroughly with a dry cloth.



Re-assembling

Re-assembly will be done by following the disassembly procedure in reverse order described in Item "disassembling".

- (1) Make sure that the filter is fixed in the appropriate position firmly.
- (2) Make sure that there is no abnormal vibration sound when running blower.

Replacing the light bulb

Two 13 Watt compact fluorescent light bulbs (not supplied) can be installed in this range hood.

The light bulbs to purchase are two compact fluorescent light bulbs (Minitwist, E26, 120V, 13W).

The following light bulbs are recommended for this range hood.

- SYLVANIA CF13EL/MICRO 120 V, 13 W

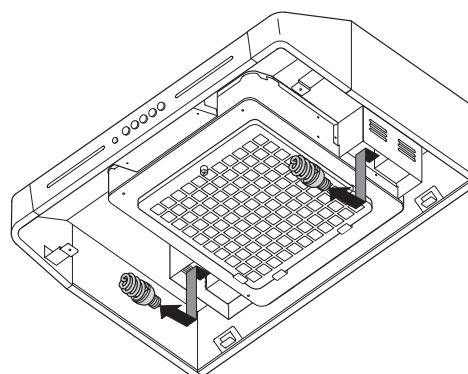
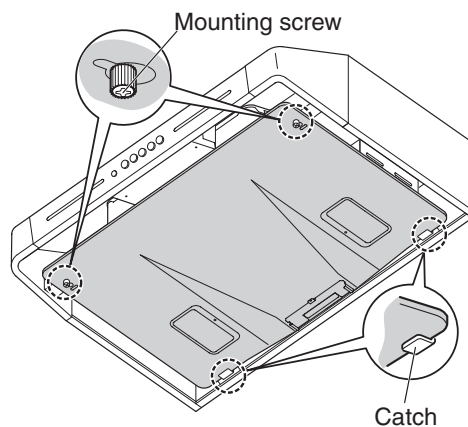
- 1** Remove the rectifier panel (refer to page 7 "Disassembling").

NOTE:

As the panel may have grease build-up, be careful when removing it.

- 2** Replace the light bulb with a new one.

- 3** Fasten the two screws firmly after re-assembling the rectifier panel.



Requesting service

Prior to requesting service

Prior to requesting service, do the following check by yourself for common errors.

<i>Situation</i>	<i>Check</i>
Range Hood does not operate.	Is power switch on at the service breaker?
Range Hood is noisier than usual or vibrating.	Is the filter contaminated by grease?

NOTE:

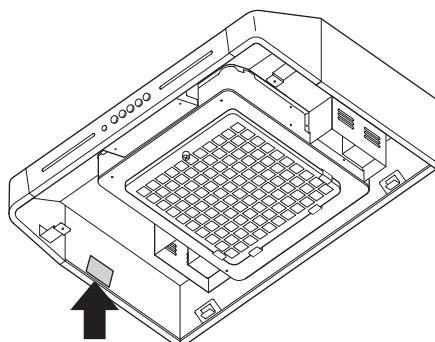
- *Service parts are kept at the manufacturer for a maximum of six years after ceasing the production of this model.*
- *Requesting service can be done by contacting the dealer who sold the range hood.*
- *When the range hood is not working normally even after checking common errors, please provide the following information to Fuji Industrial USA, Inc. (FIU).*

*Fuji Industrial USA, Inc. 16300 Christensen Rd., Ste 212
Seattle WA 98188-3403
Telephone: 1-888-547-9880
After Service Division Telephone: 1-866-FUJI IND
(1-866-385-4463)*

- a. Product----- Range Hood*
- b. Model Number ----- FSR-30/FSR-36/FES-30/FES-36*
- c. Date of purchase*
- d. What is the problem?*
- e. Owner's address*
- f. Owner's telephone number*
- g. Suggested date for service person's visit*

Inspection label

The model number is indicated on the inspection label, which is attached on the fan case cover of the range hood.



Specifications

Refer to the following table.

■ In case of 7" Round Vertical Discharge

Model	Voltage (V)	Frequency (Hz)	Speed	Power Consumption (W)	Air Flow (CFM) (0 in wg)	Air Flow (CFM) (0.1 in wg)	Sound Level (Sone)
FSR-30/36 FES-30/36	120	60	Hi	125	230	210	7.0
			Med	100	190	160	4.5
			Low	75	130	120	1.5

■ In case of 3-1/4"x10" Vertical Discharge

Model	Voltage (V)	Frequency (Hz)	Speed	Power Consumption (W)	Air Flow (CFM) (0 in wg)	Air Flow (CFM) (0.1 in wg)	Sound Level (Sone)
FSR-30/36 FES-30/36	120	60	Hi	125	240	210	6.5
			Med	100	200	160	4.5
			Low	75	130	130	1.5

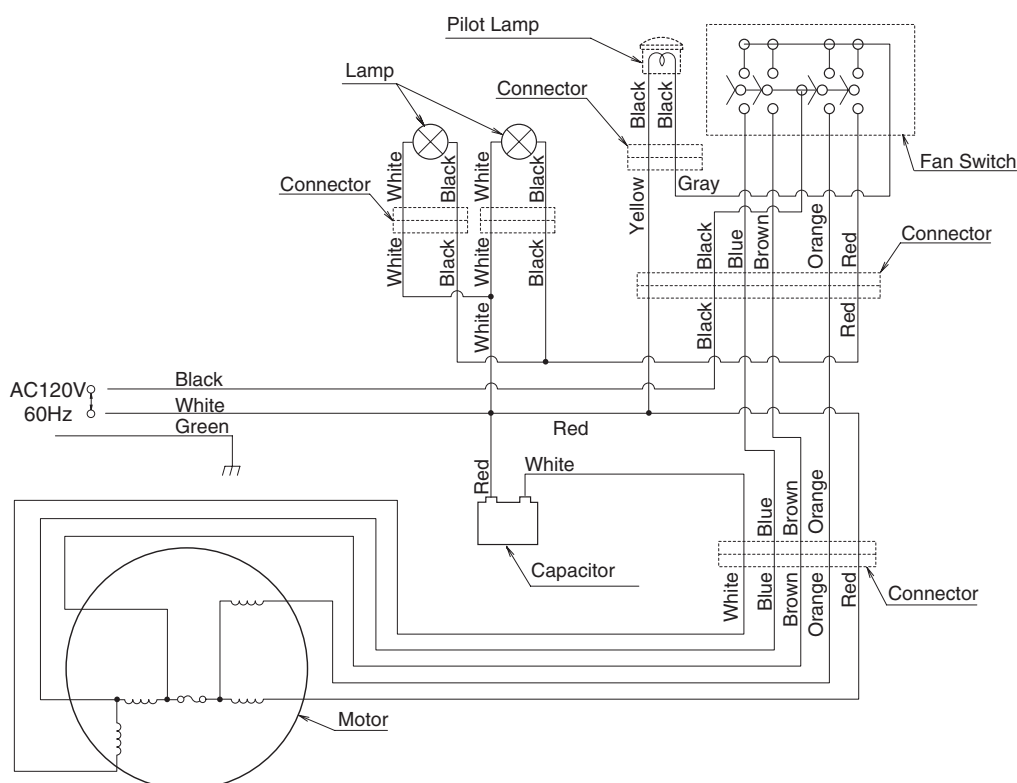
■ In case of 3-1/4"x10" Horizontal Discharge

Model	Voltage (V)	Frequency (Hz)	Speed	Power Consumption (W)	Air Flow (CFM) (0 in wg)	Air Flow (CFM) (0.1 in wg)	Sound Level (Sone)
FSR-30/36 FES-30/36	120	60	Hi	125	270	240	6.5
			Med	100	210	180	4.5
			Low	75	150	140	2.0

NOTE:




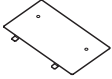
●●● INDUSTRIAL CO., LTD. has measured airflow under HVI-916 and sound levels under HVI-915.

Circuit diagram



Parts list

No	Component/Part
1	Attachment
2	Earth Wire Unit
3	Corner Cap(R)
4	Corner Cap(L)
5	Switch Unit
6	Fan Case
7	Strain Relief
8	Lamp Box
9	Lamp Receptacle Mount(R)
10	Lamp Receptacle Mount(L)
11	Lamp Wire Unit
12	Fan Guide(R)
13	Fan Guide(L)
14	Fan Guide(B)
15	Switch Wire Cover
16	Connector Wire Unit
17	Capacitor
18	Motor
19	Fan
20	Fan Case Cover
21	Filter
22	Rectifier Panel, for 30" Hood Rectifier Panel, for 36" Hood
23	Lamp Cover
24	Oil Tray
25	Duct Joint (Rectangular Type)
26	Duct Joint (Round Type)
27	Nut

Attachment	
Name of parts	Figure
Washer Head Wood Screw	 Six(6) Pieces
Screw	 Four(4) Pieces
Soft Tape	 One(1) Piece
Cover Plate	 One(1) Piece

