

How to Install Your Range Hood

When you've completed all the preparation steps, you're ready to install your range hood.

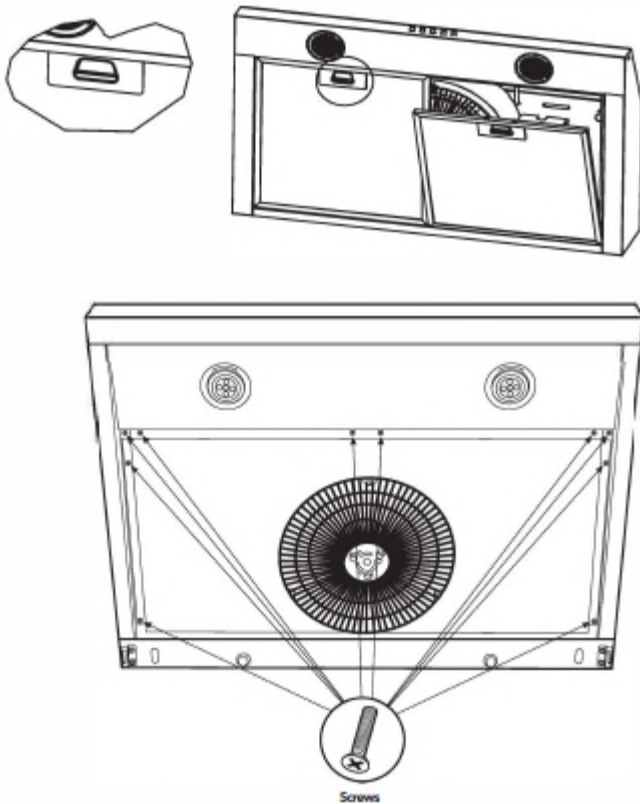
1. Test the Unit

Plug the unit into an outlet and press the touch panel to make sure that the unit is working.

⚠ IMPORTANT: If the range hood is not working properly, please contact us immediately (1-800-929-0168 / info@hauslane.com).

2. Uninstall the Range Hood's Bottom Cover

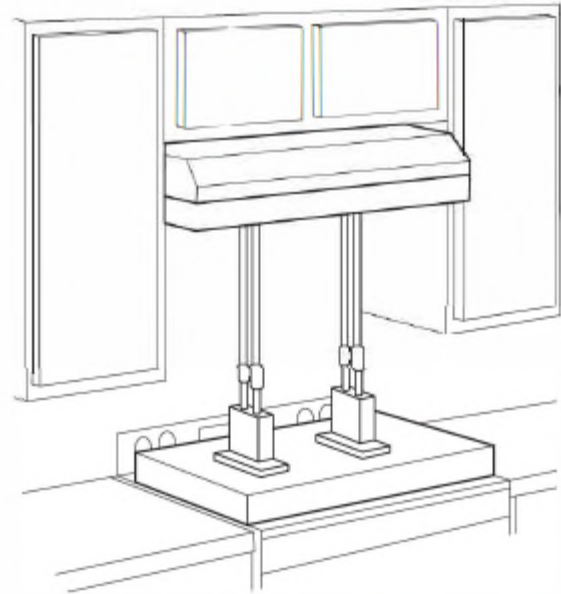
Remove the filter from the hood by pushing the filter knob inward. Slowly pull the filter down and remove gently from the range hood. Then, remove the bottom cover by carefully unscrewing the eight screws as shown.



3. Jack Up the Hood

If you are not removing the range, place the plywood (30" x 24") over the range / cooktop to avoid possible damage. Put the cabinet jacks on the plywood and place the second piece of plywood over the two cabinet jacks. Using the cabinet jacks, lift the hood into its position under the cabinet. Ensure that the adapter and power cord enter the cabinet openings and that the power cord is not pinched between the hood and the cabinet.

If you do not wish to use a cabinet jack, you will need three people. Have two helpers holding the range hood in place while the third person inserts the screws to mount the range hood. For cabinet jack operation, please refer to its manual.

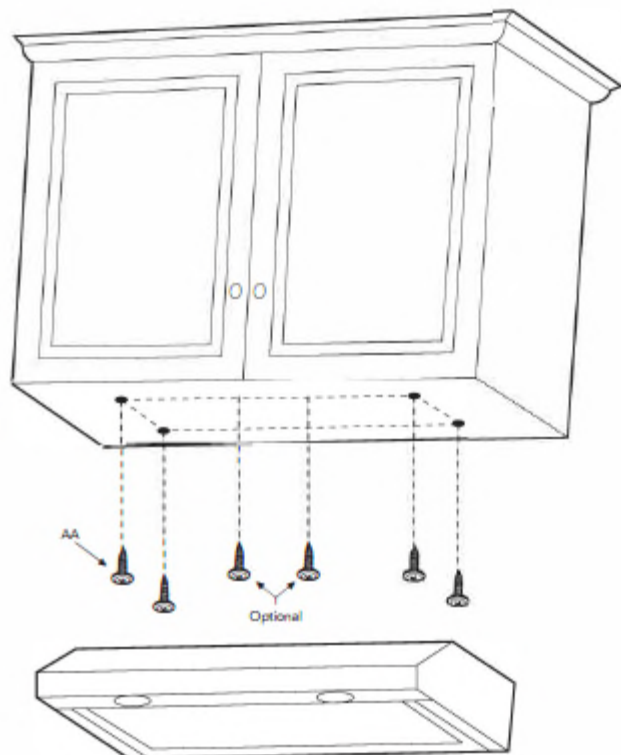


4. Screw It Into Place

From the bottom of the hood, carefully insert the mounting screws (AA) with washers into each of the pre-drilled mounting holes in the range hood. Start with the front left, then front right.

After the screws are in place for the front mounting holes, work on the rear left, then rear right. If you feel that you need to install the range hood more securely, you can use the additional two mounting screw holes in the front/center.

TIP: To easily reach the rear mounting holes, use an extension tool for the power drill.



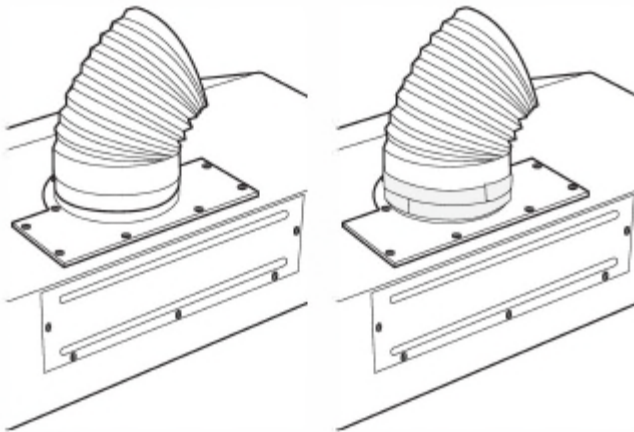
5. Double-Check Installation and Remove Support

Be sure that the hood is securely attached before removing the cabinet jacks and plywood.

6. Connect Damper & Check for Airtightness

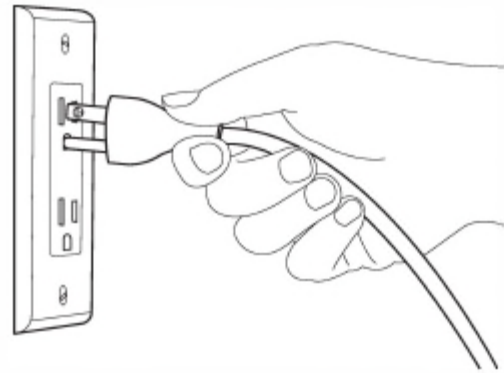
Turn on the hood to make sure that the damper opens and closes freely. This will ensure better and quieter performance. Insert the duct into the adapter, then attach with the two previously loosened screws. Make sure the duct is firmly attached to the adapter and wrap the joint with aluminum foil tape to make it air-tight.

⚠ IMPORTANT: Be careful when connecting the vent pipe to the adapter. Excessive force might dislodge the damper and fall into the house, which may damage the motor.



7. Plug the Range Hood In

Plug the power cable into an outlet.



8. Reinstall Bottom Cover and Filters

Using the 8 screws you removed earlier, reinstall the bottom cover and then reinstall the filters.

9. Keep This Manual

Put this manual in a safe place and keep for further

How to Use Your Range Hood

1. The hood is operated by using a push button switch on the front panel.
2. The light switch turns the lamps on and off. The blower switch turns the blower on to three speed settings:

- 1- OFF
- 2 - LOW SPEED
- 3 - MEDIUM SPEED
- 4- HIGH SPEED
- 5- LIGHT



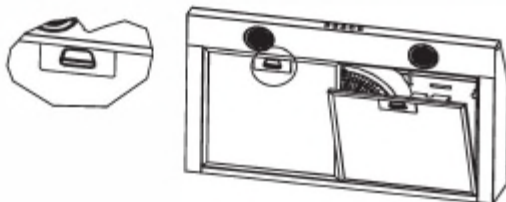
Basic Maintenance Instructions

Your range hood requires some easy routine maintenance to keep it running efficiently.

Maintaining the Filter

Clean the grease filters frequently—we suggest cleaning every 2 weeks. For your convenience, the filters are dishwasher safe!

1. Remove the baffle filters from the hood by pushing the filter knob inward. Then, carefully pull the baffle filter down and remove it gently.

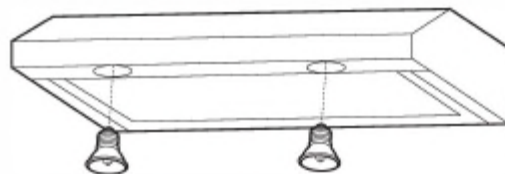
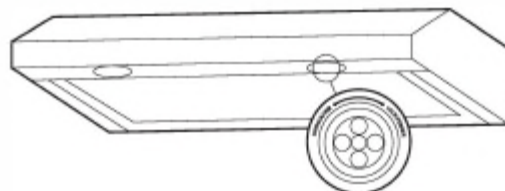


2. Clean the filters with warm water and detergent, or place them in the dishwasher. Be careful with the filters to avoid damage.
3. Let the filters dry completely.
4. Reinstall the filters.

Maintaining the Lighting

This range hood uses two lamps of 3W.

1. Turn off power. For halogen lights, let light bulbs cool completely before removing, if needed (about 5 minutes).
2. Wearing protective gloves, rotate the light bulb counterclockwise to disengage the bulb.
3. Place new lightbulb into the socket and rotate



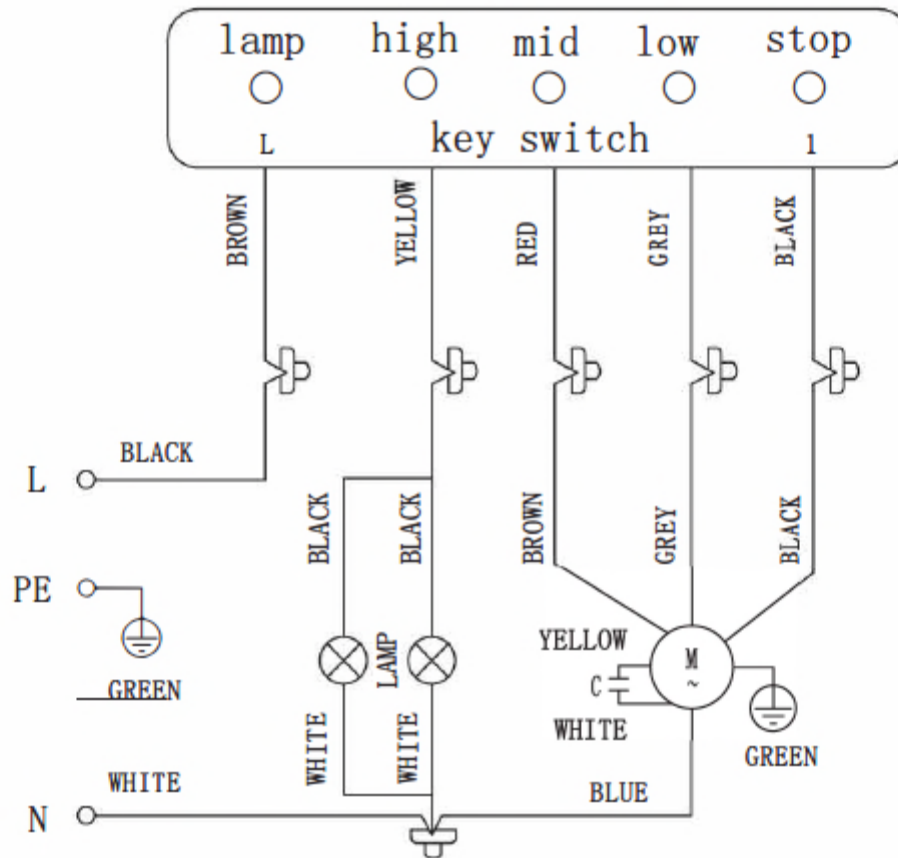
Cleaning Your Range Hood

This range hood will look great and function correctly for a long time with proper care. Here are a few do's and don'ts when caring for your range hood.

⚠ WARNING: Failure to maintain basic standards of care and cleaning will increase the risk of fire.

DO	DONT
Clean the range hood with warm, soapy cloth or a stainless-steel polish.	Don't use cleaners or cloths that are corrosive or abrasive. Don't use detergents with ingredients like chloride, iodide, or fluoride.
Clean the hood in line with the grain of the stainless steel.	Don't leave dirt or soap residue on the hood. This can damage the surface. Wash the hood's surface and rinse immediately with clean water.
After cleaning with soap, rinse with clean water and wipe with a clean, dry cloth.	Don't let particles, especially construction particles (from sanding, etc.) enter the hood. Cover the hood during room renovations.
Check the ducts and vents regularly to make sure they are not clogged.	Don't use flammable agents near the stove, as these can cause explosions.

Wiring Diagram



Troubleshooting Tips

⚠ WARNING: Failure to maintain basic standards of care and cleaning will increase the risk of fire.

Problem	Solution
My range hood won't work.	<ol style="list-style-type: none"> 1. Make sure the power supply and wiring are connected securely. 2. Double-check to see that the power breaker is on and the power supply is live. 3. Check to see that the control panel cables are connected correctly to the switchboards.
My range hood vibrates while the fan is operating.	<ol style="list-style-type: none"> 1. Check to ensure the hood is firmly secured to the cabinet/wall. Tighten or add screws if necessary. 2. Confirm that the motor is firmly in place and secured safely. If it is not, tighten it. 3. If those steps haven't resolved the issue, your fan may be damaged. If it is damaged, you may need to replace it.
The fan is operating weakly.	<ol style="list-style-type: none"> 1. Double-check to ensure the duct size is correct. 2. Clean ducts or filters if they're dirty. Also, check to make sure the mesh enclosure on the hood is receiving proper air ventilation. 3. If possible, check to see that the damper is functioning properly regarding the opening.
The fan is not working properly even though the lights are working.	<ol style="list-style-type: none"> 1. Double-check that the fan is not jammed /that it isn't scraping any of the surfaces of the hood. 2. If this doesn't work, you may need to replace the motor as it may be defective.
The vent hood is not working efficiently.	<ol style="list-style-type: none"> 1. The minimum distance between the cooking area and the appliance should be 24" or 30" maximum. Check to see if this is correct. 2. Make sure that the duct is not susceptible to easy wind opening. 3. Make sure the fan speed is at the appropriate rate. The heavier the cooking, the greater the speed of the hood should be set. 4. Closing the windows and doors in the room will allow the vent to work much better. 5. As noted during the installation process, all ductwork must be done correctly. You may need to reduce the length of ductwork or reduce elbows. 6. Make sure all joinery in ductwork is sealed and secured properly.
The light is not working.	<ol style="list-style-type: none"> 1. Check to see if lightbulb is loose and needs to be tightened. 2. If tightening doesn't fix the problem, replace bulb with a new one and see if that solves the issue. 3. If replacement and/or tightening does not solve, you may need to replace the lighting service system on the hood.
The touch panel is not responding.	<ol style="list-style-type: none"> 1. Perform a power cycle reset by unplug the power cord, wait 10 seconds, and plug the power cord back. 2. If Step 1 doesn't resolve the issue, please contact us immediately for a control panel replacement.

Still experiencing problems after following these steps? Contact a technician to assist. Contact us at **1-800-929-0168** or info@hauslane.com.

Contact Hauslane



Extended Warranties

If you are interested in an extended warranty, sign up on our website at www.hauslane.com



Parts and Accessories

If you need replacement parts or accessories, visit www.hauslane.com



Contact Us

We'd be happy to answer your questions or resolve any issues you may have.
Phone: **1-800-929-0168**



Find Us and Connect with Us

