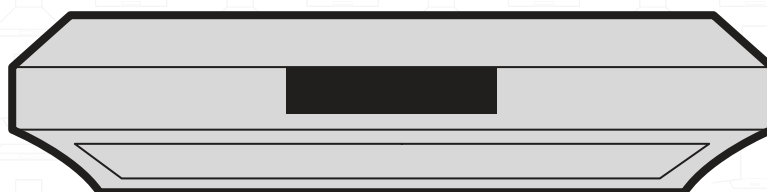


USER MANUAL



Model UC-PS38SS-30

H A U S L A N E | chef^{SERIES}

 [kitchensource.com](https://www.kitchensource.com)

 1.800.667.8721

Table of Contents

Safety Information.....	2	2. Take Off the Panel Filter.....	7
Warranty Information.....	3	3. Remove Bottom Cover & Attach the Adapter.....	7
Specifications.....	4	4. Jack Up the Hood.....	7
Parts Included.....	4	5. Screw It Into Place.....	7
Tools Needed.....	4	6. Double-Check Installation & Remove Support...	7
Preparation: What to do before installation.....	5	7. Connect Damper & Check for Airtightness.....	8
1. Read This Manual.....	5	8. Plug the Range Hood In.....	8
2. Gather Your Tools.....	5	9. Reinstall Bottom Cover & Panel Filters.....	8
3. Make Sure the Unit Works.....	5	10. Keep This Manual.....	8
4. Ensure There is Proper Height Clearance.....	5	How to Use Your Range Hood.....	8
5. Check Your Power Supply	5	Using the Front Control Panel.....	8
6. Check Ducts and Install Adapter.....	5	How to Use Steam Auto-Clean.....	9
7. Prepare the Cabinet (Soffit).....	5	Basic Maintenance Instructions.....	10
8. Find a Helper.....	5	Maintaining the Grease Filter.....	10
How to Install Your Range Hood.....	7	Maintaining the Lighting.....	10
1. Power the Range Hood.....	7	Cleaning Your Range Hood.....	10
		Troubleshooting Tips.....	11
		Contact Hauslane.....	12

Safety Information

Before installing your range hood, read the entire instruction manual. Installers, leave this manual with the homeowner.

⚠ WARNING
SUITABLE FOR USE IN HOUSEHOLD COOKING AREA ONLY.
TO REDUCE THE RISK OF FIRE, ELECTRICAL SHOCK, OR INJURY, OBSERVE THE FOLLOWING:

1. Use this range hood only in the manner intended by the manufacturer. If you have the questions, contact Chef Kitch at 1-800-929-0168 or email at info@hauslane.com.
2. Before servicing or cleaning, switch power off at service panel and lock service panel to prevent power from being switched on accidentally. When the service disconnecting means cannot be locked, securely fasten a prominent warning device, such as a tag, to the service panel.
3. Installation work and electrical wiring must be done by qualified personnel in accordance with all applicable codes and standards, including fire-rated construction codes and standards.
4. Sufficient air is needed for proper combustion and exhausting of gases through the flue (chimney) of fuel-burning equipment to prevent back drafting. Follow the heating equipment manufacturer's guidelines and safety standards such as those published by the National Fire Protection Association (NFPA), and the American Society for Heating, Refrigeration and Air Conditioning Engineers (ASHRAE), and the local code authorities.
5. When cutting or drilling into wall or ceiling, do not damage electrical wiring and other hidden utilities.
6. Ducted fans must always be vented to the outdoors.
7. Do not use this unit with any solid-state speed control device.
8. To reduce the risk of fire, use only steel ductwork.

9. This unit must be grounded.

TO REDUCE THE RISK OF A RANGE TOP GREASE FIRE:

1. Never leave surface units unattended at high settings. Boil overs cause smoking and greasy spillovers that may ignite.
2. Heat oils slowly on low or medium settings.
3. Always turn hood ON when cooking at high heat or when cooking flaming foods.
4. Clean ventilating fans frequently. Grease should not be allowed to accumulate on fan or filter.
5. Use proper pan size. Always use cookware appropriate for the size of the surface element.

⚠ WARNING
TO REDUCE THE RISK OF INJURY TO PERSONS IN THE EVENT OF A RANGE TOP GREASE FIRE, OBSERVE THE FOLLOWING*:

1. SMOTHER FLAMES with a close-fitting lid, cookie sheet or metal tray, then turn off the burner. BE CAREFUL TO PREVENT BURNS. IF THE FLAMES DO NOT GO OUT IMMEDIATELY, EVACUATE AND CALL THE FIRE DEPARTMENT.
2. NEVER PICK UP A FLAMING PAN as you may be burned.
3. DO NOT USE WATER, including wet dishcloths or towels. This could cause a violent steam explosion.
4. Use an extinguisher ONLY if:
 - A. You own a Class ABC extinguisher and you know how to operate it.
 - B. The fire is small and contained.

- C. The fire department has been called.
- D. You can fight the fire with your back to an exit.

*Based on "Kitchen Fire Safety Tips" published by NFPA.

⚠ CAUTION

1. For general ventilating use only. Do not use to exhaust hazardous or explosive materials and vapors.
2. To avoid damage and noisy and/or unbalanced impellers, keep drywall/construction dust, etc. off power unit.
3. Mount your range hood so that the bottom of the hood is 24" to 30" above the cooking surface. The minimum hood distance above cooktop must not be less than 24"; any installation less than 24" may cause overheating and cause damage to the range hood, HAUSLANE does not warrant this improper installation.

4. Two to three installers are recommended because of the larger size and weight of this hood.
5. To reduce the risk of fire and to properly exhaust air, be sure to duct air outside. Do not exhaust air into spaces within walls and ceiling or into attics, crawl space or garages.
6. Because of the high exhausting capacity of this hood, you should make sure enough air is entering the house to replace exhausted air by opening a window close to or in the kitchen.
7. Use with approved cord-connection kit only.
8. Please read product specification label on range hood for further information and requirements.

Warranty Information

This range hood is warranted to the original purchaser to be free of defects in material and workmanship for two (2) years from the date of purchase.

Our obligation shall be limited to the repair or replacement of a unit (at our discretion) that may prove, by our sole examination, to be defective under normal use and service during the warranty period. We may issue credit in the amount of the invoice value of the defective product (or a percentage of it according to use) in lieu of repair or replacement. Any failure of this product that is not traceable to a defect in material or workmanship is not covered by this warranty. These non-warrantable items include, but are not limited to:

- Any defects or damage to light bulbs
- Change in color or finish due to chemical usage
- Improper installation not in accordance with the instructions
- Dents, bumps, and scratches incurred during shipping, handling, or installation
- Damage caused by failure to follow care and cleaning guidelines, including damage caused by the use of abrasive cleaners
- Alterations made to the unit by the purchaser or installer
- Damage caused by accidental impact, fire, flood, freezing, and normal wear
- Bends and warping caused by forced connections, over-tightened fittings, and inadequate support during installation

A thorough inspection must be made before installation and any damage must be promptly reported. We will not be liable for failures or damage that could have been discovered or avoided by proper inspection and testing prior to installation. Incidental repairs that would involve a minimum of time and effort on behalf of the purchaser will not be considered warranty work and no compensation will be deemed forth coming.

This warranty is non-transferable and shall be voided if the unit is removed from its initial installation or if it is not installed following the instructions.

Under no circumstance shall we be held liable for personal injury or property damage resulting from improper installation or use of this product. We will not be held liable for

A thorough inspection must be made before installation and any damage must be promptly reported. We will not be liable for failures or damage that could have been discovered or avoided by proper inspection and testing prior to installation.

Incidental repairs that would involve a minimum of time and effort on behalf of the purchaser will not be considered warranty work and no compensation will be deemed forth coming.

This warranty is non-transferable and shall be voided if the unit is removed from its initial installation or if it is not installed following the instructions.

Under no circumstance shall we be held liable for personal injury or property damage resulting from improper installation or use of this product. We will not be held liable for inconvenience caused by loss of use of this product, costs incurred for labor or materials, removal and installation of replacement units, or any other incidental or consequential damages. Costs relating to obtaining access for repair or replacement are the responsibility of the user.

This warranty does not extend to commercial and institutional installation or use.

Warranty Claim Procedure

If a claimable defect occurs, please contact our customer service team at 1-800-929-0168 (8 a.m. - 5 p.m., PST, Monday - Friday). or email us at info@hauslane.com Before you make your claim call, please ensure that you have:

- Description of the range hood
- Proof of sale
- Details regarding the defect
- Name(s) and address(es) of the owner and installer

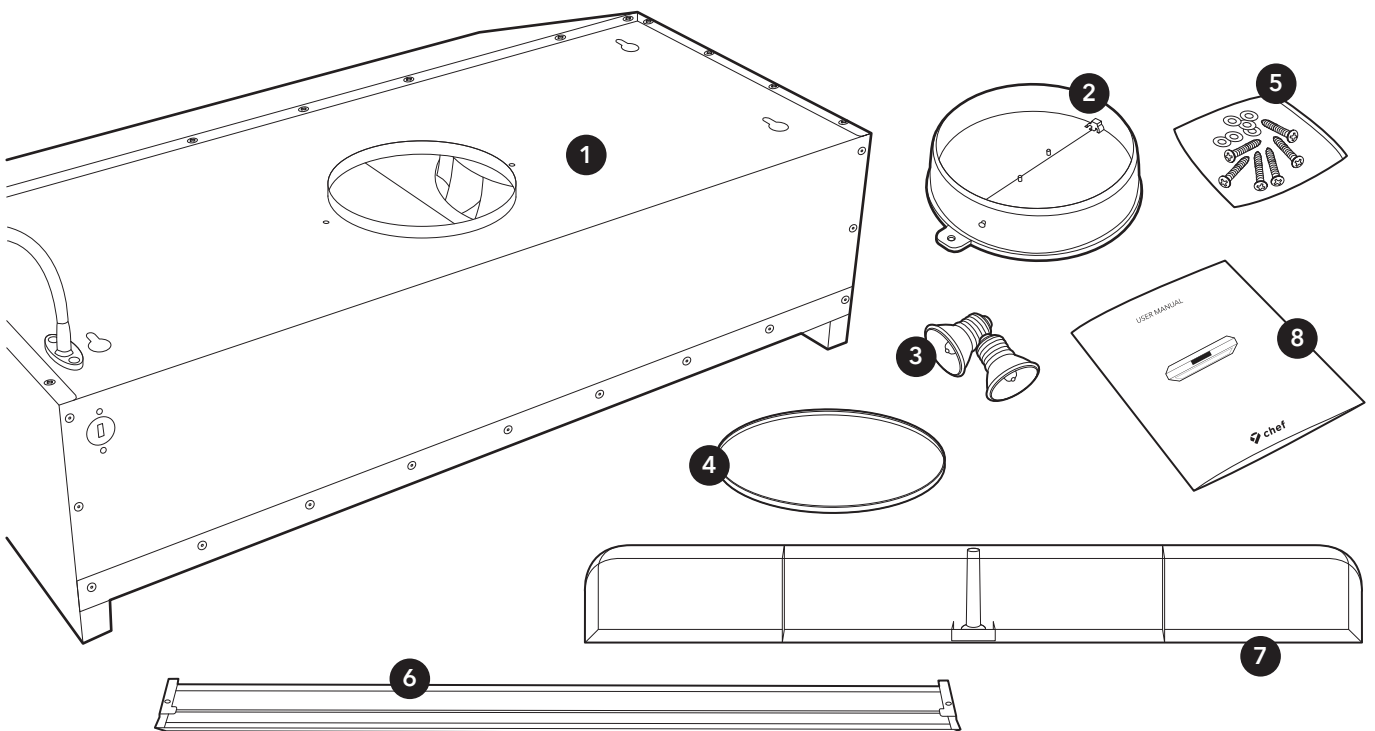
Claims must be filled out in writing and returned within six (6) months of the appearance of a defect. Failure to comply with this stipulation will make this warranty null and void. We reserve the right to a thirty-day (30) delay following the receipt of a claim in which to inspect the product. We assume no responsibility for labor costs, removing or replacing a previously installed product, transportation, or the return of a product.

Specifications

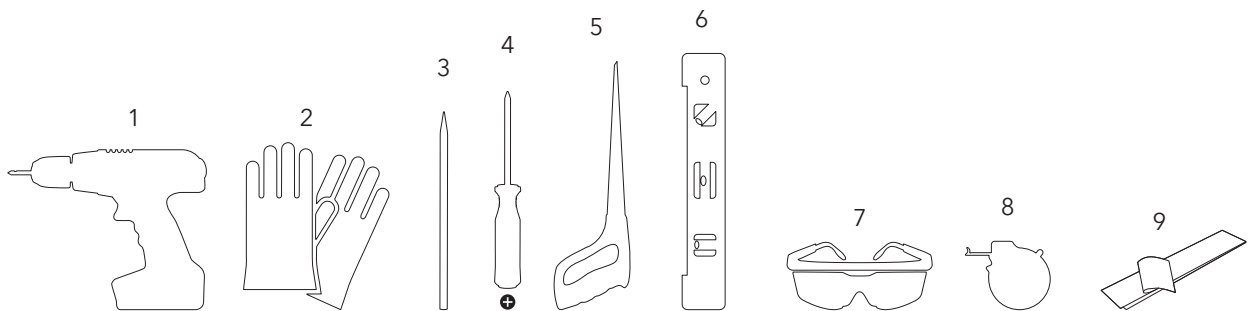
Dimentions UC-PS38SS-30	Volts	Hertz	Fan CFM	Speeds	Light Wattage	Stainless Steel Grade
29.7" W 22.9" D 8.2"H	120	60	950	6	3W (LED)	430

Package Contents

- 1** Hood
- 2** Round Adapter
- 3** (2) LED Light
- 4** Rubber Gasket
- 5** Philips Head Sheet Metal Screws
- 6** Grease Collector
- 7** Water Tray
- 8** User Manual



Tools Needed



- 1** Electric Drill & Extended length head driver bit
- 2** Safety Gloves
- 3** Pencil
- 4** Philips Screwdriver
- 5** Keyhole Saw
- 6** Level
- 7** Safety Goggles
- 8** Measuring Tape
- 9** Aluminum Foil Tape

Preparation: What to Do Before Installation

Before installing your range hood, carefully follow these steps:

1. Read This Manual

Read through all the steps. If you fail to read the instructions carefully, we will not be responsible for damages incurred on your part. If you're not confident in your abilities to install the range hood properly, we recommend hiring a certified technician to complete the installation.

2. Gather Your Tools

Ensure you have all the necessary tools according to the previous page.

3. Make Sure the Unit Works

Unpack the unit and check your range hood for damage or missing parts. Plug it in to an outlet to ensure the fan and lights work. If anything is damaged or missing, contact the seller to get the issues solved. Don't throw away packaging until you're sure you are fully satisfied with the product.

4. Ensure There is Proper Height Clearance

Check that you'll be able to install the PS38 Range Hood at the correct height. To ensure the best performance, the bottom of your range hood must be between 24" and 30" from the top of the cooking surface. For gas ranges, the required distance is 30".

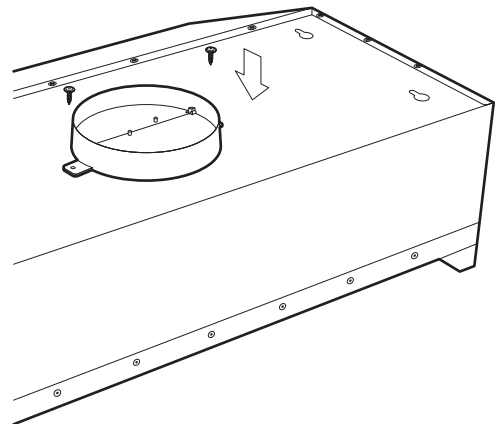
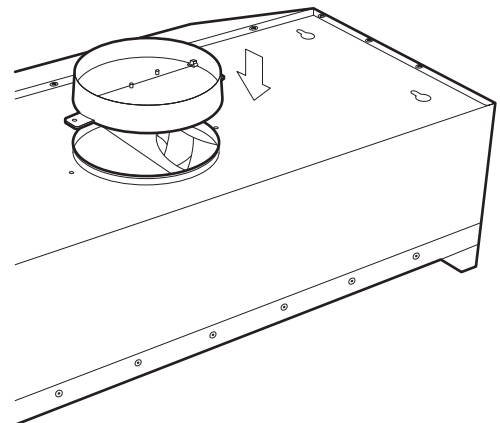
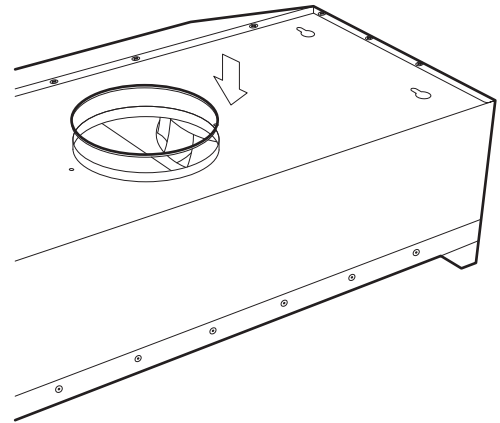
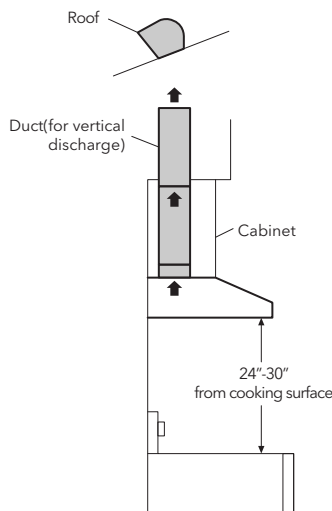
Do not exceed the maximum height of 30" while in operation. This is very important! Installing at the incorrect height could lead to drastic reduction in the range's performance or even cause a fire.

5. Check Your Power Supply and Ducts

Check to ensure your main voltage is in line with the required voltage outlined on the rating plate inside this hood. Also check the domestic power supply to guarantee adequate earthing before installation.

6. Check Ducts and Install Adapter

This range hood must be ducted to the outside using 6-inch ductwork. Use an existing duct or have one professionally installed. Don't connect the range hood to exhaust ducts that carry any type of combustion fumes like fireplaces, boilers, or any similar items. For best results, use a minimum number of transitions and elbows when running the ductwork. To install the adapter, place the black rubber gasket over the lip at the duct opening on the main body of the unit. Next, install the adapter over the lip and insert two screws (BB) to securely fasten the adapter.



7. Prepare the Cabinet (Soffit)

Measure the size of the outlet adapter relative to the cabinet. If it is not already done, you'll need to cut an opening in the cabinet to ensure the outlet adapter and power cable can pass through. If you must do this, use a pencil and ruler to mark the area, then cut with a wall/keyhole saw.

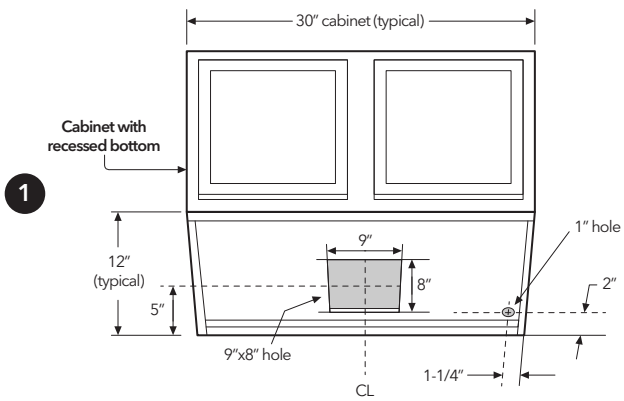
If you're installing the UC-PS38 under a cabinet with a recessed bottom, we recommend using 4" wood fillers on each side to stabilize the cabinet for secure mounting.

9. Find a Helper

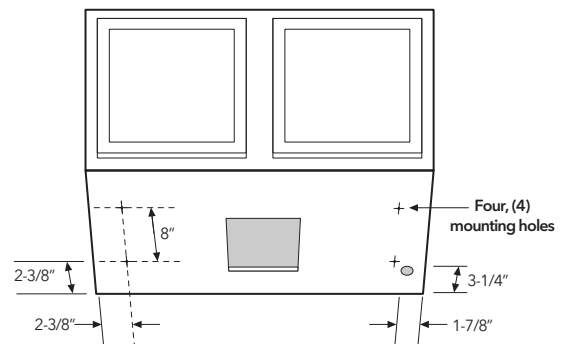
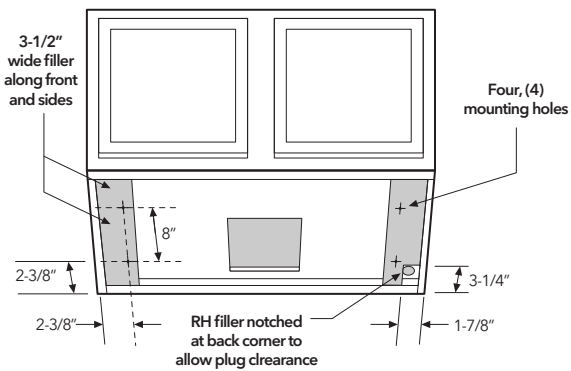
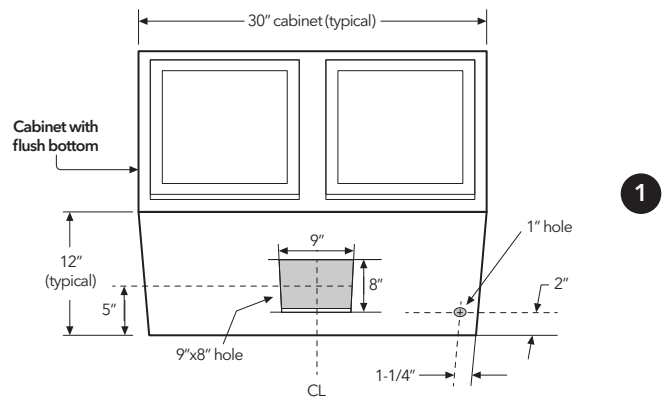
This range hood is best installed by two or more people due to its size and weight. Again, it is recommended to hire a certified technician for installation to reduce the risk of damage or injury.

Preparing the Cabinet

Cabinet with recessed bottom



Cabinet or soffit with flush bottom



How to Install Your Range Hood

When you've completed all the preparation steps, you're ready to install your range hood.

1. Power the Range Hood

Power the range hood and test all functions before proceeding with the installation. Plug the power cord into an outlet and ensure that the light, fan, and clock work properly. Refer to page 9, "How to Use Your Range Hood," for instruction.

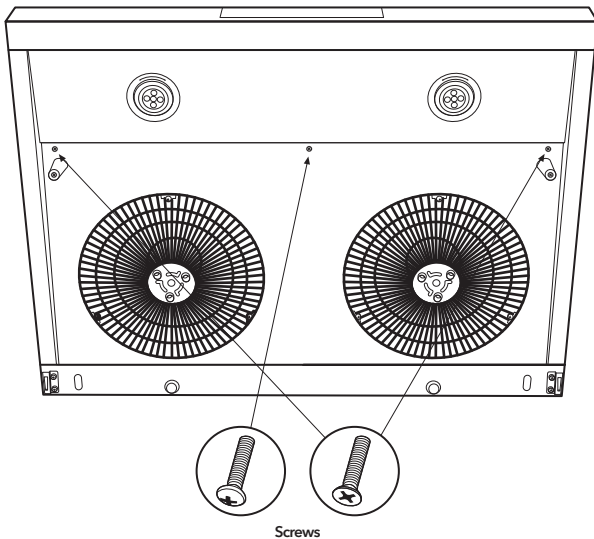
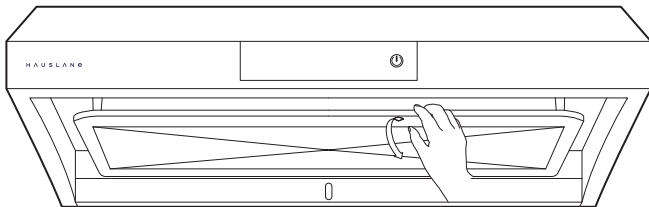
⚠ IMPORTANT: *If the range hood is not working properly, please contact us immediately (1-800-929-0168 / info@hauslane.com).*

2. Take Off the Panel Filter

Disengage the panel filter from the UC-PS38 range hood by putting slight pressure in pulling it down, then slowly lift the panel upward and remove gently from the bracket at the back.

3. Remove Bottom Cover & Attach the Adapter

Remove the bottom cover by carefully unscrewing the three screws as shown. Place the rubber gasket in the opening. Then, attach a round 6" outlet adapter and securely fasten the adapter with two screws.



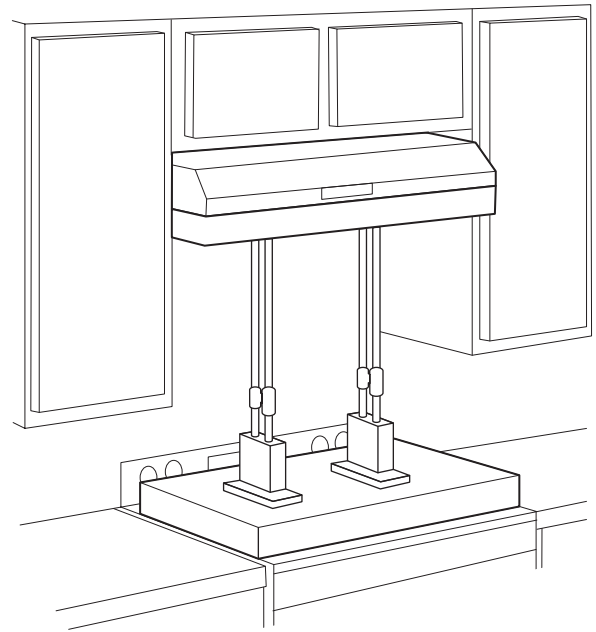
4. Jack Up the Hood

For this step, you will need one or two helpers.

If you aren't removing the range, place the plywood (30" x 24") over the range / cooktop to avoid possible damage. Put the cabinet jacks on the plywood and place the second piece of plywood over the two cabinet jacks. Using the cabinet jacks, lift the hood into its position under the cabinet. One person should operate the jack while another person steadies the range hood and situates it into the proper position. For cabinet jack operation, please refer to its manual.

Ensure that the adapter and power cord enter the cabinet openings and that the power cord is not pinched between the hood and the cabinet.

If you don't use a cabinet jack, you will need three people. Have two helpers holding the range hood in place while the third person inserts the screws to mount the range hood.



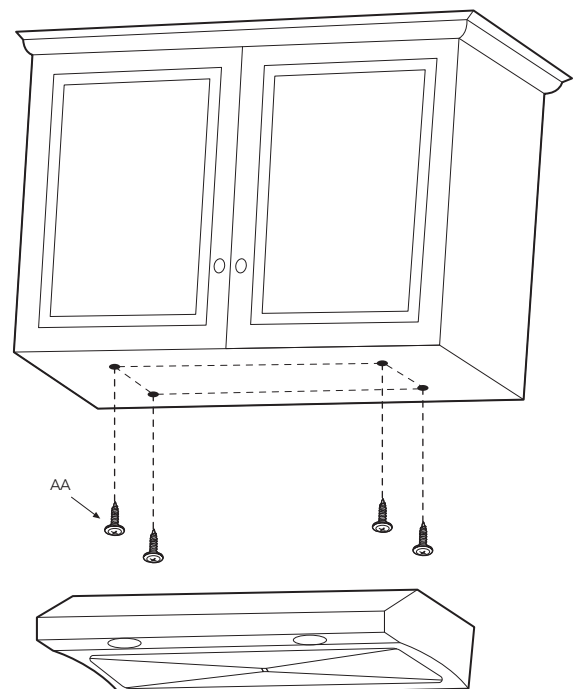
5. Screw It Into Place

From the bottom of the hood, carefully insert the mounting screws (AA) with washers into each of the pre-drilled mounting holes in the range hood. Start with the front left, then front right.

After the screws are in place for the front mounting holes, work on the rear left, then rear right. If you feel that you need to install the range hood more securely, you can use the additional two mounting screw holes in the front/center.

⚠ IMPORTANT: *Ensure the hood is perfectly leveled from back to front for the water cleaning process to function properly.*

Tip: To easily reach the rear mounting holes, use an extension tool for the power drill.



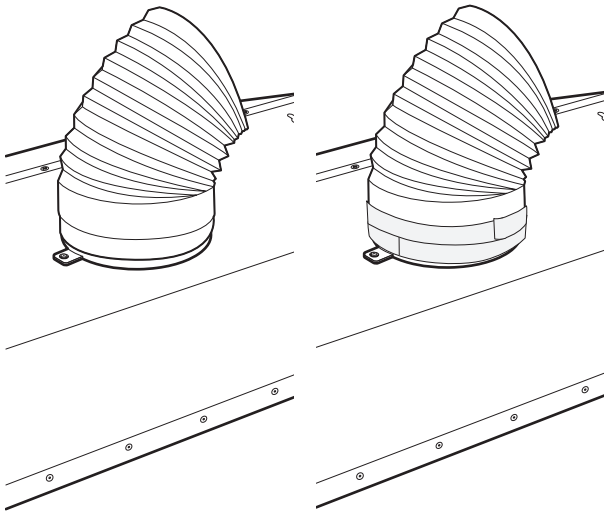
6. Double-Check Installation and Remove Support

Be sure that the hood is securely attached before removing the cabinet jacks and plywood.

7. Connect Damper & Check for Airtightness

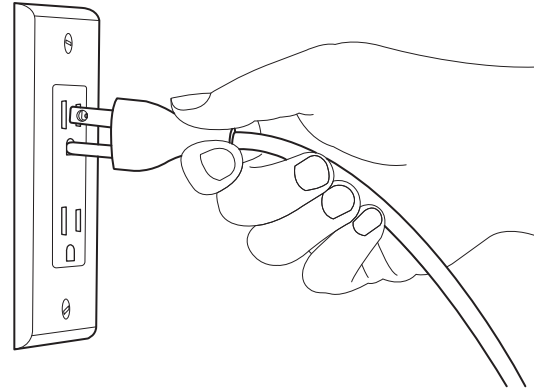
Turn on the hood to make sure that the damper opens and closes freely. This will ensure better and quieter performance. Loosen the screw on the side of the adapter, then insert the duct into the adapter and tighten the screw to lock in its position. Make sure the duct is firmly attached to the adapter and wrap the joint with aluminum foil tape to make it air tight.

⚠ IMPORTANT: Be careful when connecting the vent pipe to the adapter. Excessive force might dislodge the damper and fell into the house, which may damage the motor.



8. Plug the Range Hood In

Plug the power cable into an outlet.



9. Reinstall Bottom Cover, Panel Filter and Grease Collector

Using the 3 screws you removed earlier, reinstall the bottom cover. Then, reinstall the panel filter by aligning the holes to the bracket in the rear of the hood. After the panel filter is secured by the brackets, lift it up to put it back in place.

10. Keep This Manual

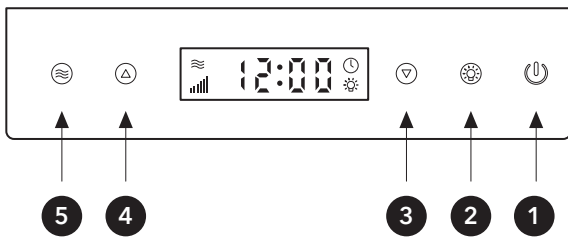
Put this manual in a safe place and keep for further reference.

How to Use Your Range Hood

The UC-PS38 range hood is very simple to use and is operated entirely using the front control panel.

Using the Front Control Panel

Use the front control panel to adjust your range hood's settings and to turn it on/off.



- 1- ON/OFF
- 2- LIGHT
- 3- DOWN
- 4- UP
- 5- STEAM AUTO CLEAN

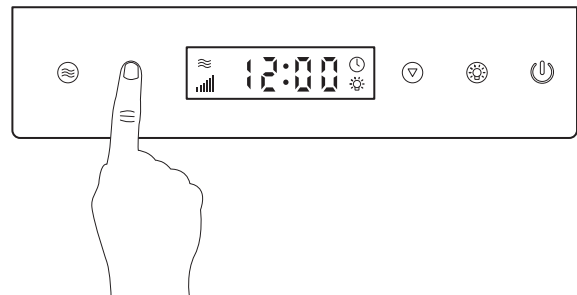
How to Turn Light On/Off

This range hood has a single light setting. Press the lightbulb button (2) to turn the light on or off.

⚠ CAUTION: For halogen lamps never touch bulbs during operation; they can get very hot.

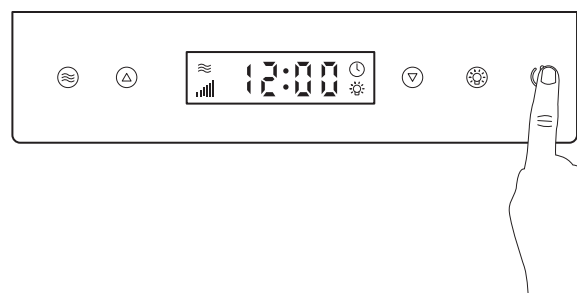
How to Set the Fan Speed

Press the on/off button (1) to turn the range hood on. To increase/decrease fan speed, use the up/down arrows (3 & 4) to find your desired fan speed.



How to Set the Clock

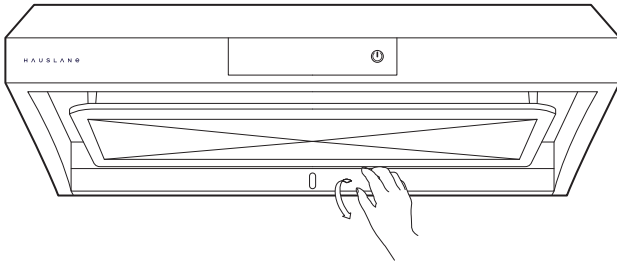
Press the on/off button for 3 seconds. When the time starts flashing, touch the up and down arrows (3 & 4) to reach the desired hour. Then, press the on/off button once again to set the minutes using the up and down buttons.



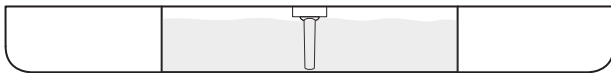
How to Use Steam Auto-Clean

The auto-clean feature makes it easy to clean the fan wheel and internal housing of the UC-PS38 range hood. Use it every 2 weeks or as frequently as possible.

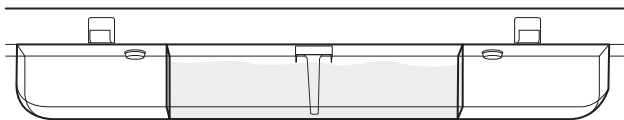
1. Gently remove the metal grease tray from the rear of the hood.



2. Use the clear plastic tray that came with the range hood. Fill the middle section with clean water up to the water level mark.

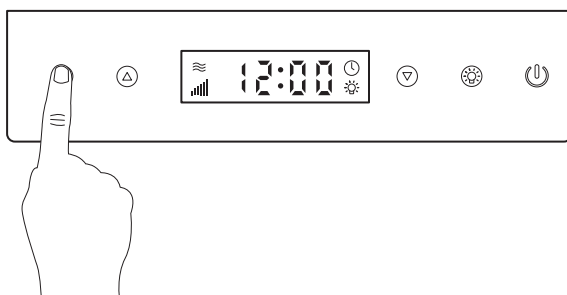


3. Gently attach the plastic tray to the range hood. Be careful to avoid spilling the water. Important: Make sure the plastic tray has a tight seal with the range hood after inserting. Mis-alignment or improper insert may lead to water not being properly drawn into the hood and the auto-clean function will not work properly.

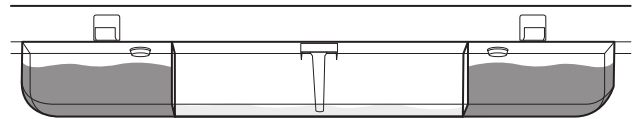


4. Touch and hold the Steam Auto-Clean button (5) to start the 3-minute cleaning process.

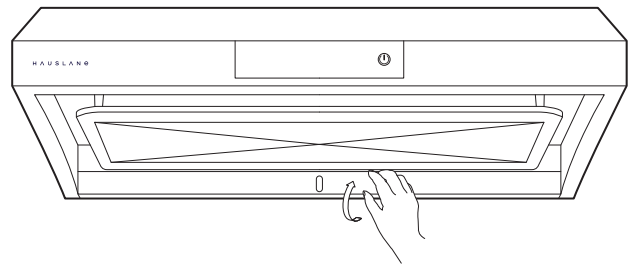
Note: This process may be noisy. High-pressure water is spraying onto the fan wheels while they are spinning. Since the steam is ventilated out, you may not notice any steam.



5. Towards the end of the process, dirty water will dispose into the plastic tray.garages.



6. When the cleaning process is complete, remove the plastic tray and dispose of the water. Reattach the metal grease tray to the range hood.



7. Reattach the metal grease tray to the range hood.

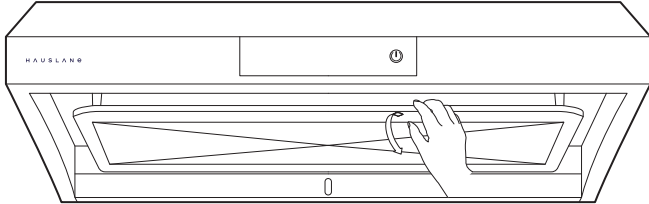
Basic Maintenance Instructions

Your range hood requires some easy routine maintenance to keep it running efficiently.

Maintaining the Grease Filter

Clean the grease filters frequently—we suggest cleaning every 2 weeks.

1. Remove the filter from the hood by gently pulling it down, then lift the panel upward and remove gently from the bracket at the back.

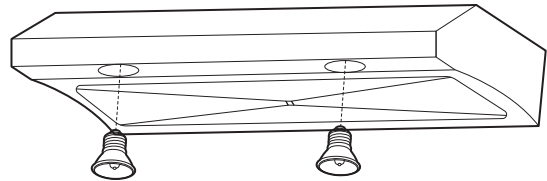
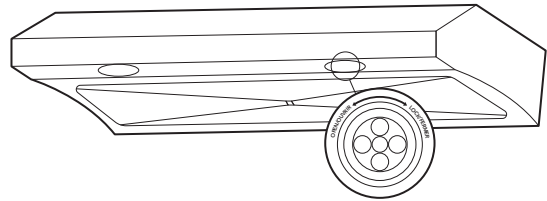


2. Clean the baffle filters with warm water and detergent, or place them in the dishwasher. Be careful with the filters to avoid damage.
3. Let the baffle filters dry completely.
4. Reinstall the baffle filters.

Maintaining the Lighting

This range hood uses two lamps of 3W.

1. Turn off power. For halogen lights, let light bulbs cool completely before removing, if needed (about 5 minutes).
2. Wearing protective gloves, rotate the light bulb counterclockwise to disengage the bulb.
3. Place new lightbulb into the socket and rotate clockwise until fixed.



Cleaning Your Range Hood

This range hood will look great and function correctly for a long time with proper care. Here are a few do's and don'ts when caring for your range hood.

⚠️ WARNING: Failure to maintain basic standards of care and cleaning will increase the risk of fire.

DO	DONT
Clean the range hood with warm, soapy cloth or a stainless-steel polish.	Don't use cleaners or cloths that are corrosive or abrasive. Don't use detergents with ingredients like chloride, iodide, or fluoride.
Clean the hood in line with the grain of the stainless steel.	Don't leave dirt or soap residue on the hood. This can damage the surface. Wash the hood's surface and rinse immediately with clean water.
After cleaning with soap, rinse with clean water and wipe with a clean, dry cloth.	Don't let particles, especially construction particles (from sanding, etc.) enter the hood. Cover the hood during room renovations.
Check the ducts and vents regularly to make sure they are not clogged.	Don't use flammable agents near the stove, as these can cause explosions.

Troubleshooting Tips

⚠️ WARNING: Failure to maintain basic standards of care and cleaning will increase the risk of fire.

Problem	Solution
My range hood won't work.	<ol style="list-style-type: none"> 1. Make sure the power supply and wiring are connected securely. 2. Double-check to see that the power breaker is on and the power supply is live. 3. Check to see that the control panel cables are connected correctly to the switchboards.
My range hood vibrates while the fan is operating.	<ol style="list-style-type: none"> 1. Check to ensure the hood is firmly secured to the cabinet/wall. Tighten or add screws if necessary. 2. Confirm that the motor is firmly in place and secured safely. If it is not, tighten it. 3. If those steps haven't resolved the issue, your fan may be damaged. If it is damaged, you may need to replace it.
The fan is operating weakly.	<ol style="list-style-type: none"> 1. Double-check to ensure the duct size is correct. 2. Clean ducts or filters if they're dirty. Also, check to make sure the mesh enclosure on the hood is receiving proper air ventilation. 3. If possible, check to see that the damper is functioning properly regarding the opening.
The fan is not working properly even though the lights are working.	<ol style="list-style-type: none"> 1. Double-check that the fan is not jammed /that it isn't scraping any of the surfaces of the hood. 2. If this doesn't work, you may need to replace the motor as it may be defective.
The vent hood is not working efficiently.	<ol style="list-style-type: none"> 1. The minimum distance between the cooking area and the appliance should be 24" or 30" maximum. Check to see if this is correct. 2. Make sure that the duct is not susceptible to easy wind opening. 3. Make sure the fan speed is at the appropriate rate. The heavier the cooking, the greater the speed of the hood should be set. 4. Closing the windows and doors in the room will allow the vent to work much better. 5. As noted during the installation process, all ductwork must be done correctly. You may need to reduce the length of ductwork or reduce elbows. 6. Make sure all joinery in ductwork is sealed and secured properly.
The light is not working.	<ol style="list-style-type: none"> 1. Check to see if lightbulb is loose and needs to be tightened. 2. If tightening doesn't fix the problem, replace bulb with a new one and see if that solves the issue. 3. If replacement and/or tightening does not solve, you may need to replace the lighting service system on the hood.
The touch panel is not responding.	<ol style="list-style-type: none"> 1. Perform a power cycle reset by unplug the power cord, wait 10 seconds, and plug the power cord back. 2. If Step 1 doesn't resolve the issue, please contact us immediately for a control panel replacement.

Still experiencing problems after following these steps? Contact a technician to assist. Contact us at **1-800-929-0168** or info@hauslane.com.

Contact Hauslane



Extended Warranties

If you are interested in an extended warranty, sign up on our website at www.hauslane.com



Parts and Accessories

If you need replacement parts or accessories, visit www.hauslane.com

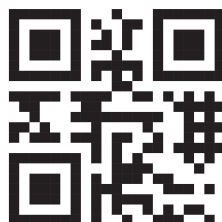


Contact Us

We'd be happy to answer your questions or resolve any issues you may have.
Phone: 1-800-929-0168



Find Us and Connect with Us



MODE D'EMPLOI



Modèle no. UC-PS38SS-30

H A U S L A N E | **chef** SERIES

Table des Matières

Consignes de Sécurité.....	2	2. Enlever le Filtre Panneau.....	7
Informations sur la Garantie.....	3	3. Retirer le Cache du Dessous et Fixer l'Adaptateur	7
Spécifications.....	4	4. Surélever la Hotte.....	7
Pièces Incluses.....	4	5. La Visser.....	7
Outils Nécessaires.....	4	6. Vérifier l'Installation et Retirer le Support.....	7
Préparation: Que faire avant l'installation.....	5	7. Connecter au Clapet d'Aération et Vérifier l'Étanchéité	8
1. Lire Ce Manuel.....	5	8. Brancher la Hotte.....	8
2. Rassembler Vos Outils.....	5	9. Remettre le Cache du Dessous et les Filtres Panneaux	8
3. S'assurer que l'Appareil Fonctionne.....	5	10. Conserver ce Mode d'Emploi.....	8
4. S'assurer que la Hauteur Libre est Suffisante.....	5	Comment Utiliser Votre Hotte.....	8
5. Vérifier Votre Alimentation Électrique.....	5	Utiliser le Panneau de Commande Avant.....	8
6. Vérifier les Conduits d'Aération et Installer l'Adaptateur.....	5	Comment Utiliser le Nettoyage Vapeur Automatique	9
7. Préparer le Meuble Haut de Cuisine (Sous-face)	5	Conseils d'Entretien Basiques.....	10
8. Trouver un Assistant.....	5	Entretien du Filtre à Graisse.....	10
Comment Installer Votre Hotte.....	7	Entretien de l'Éclairage.....	10
1. Allumer la Hotte.....	7	Nettoyer Votre Hotte.....	10
		Conseils de Dépannage.....	11
		Contacteur Hauslane.....	12

Consignes de Sécurité

Avant d'installer votre hotte, lisez entièrement le mode d'emploi. Les installateurs doivent laisser ce manuel au propriétaire de la maison.

ATTENTION

CONVIENT UNIQUEMENT À UNE UTILISATION DANS L'ESPACE CUISINE. AFIN DE RÉDUIRE LE RISQUE D'INCENDIE, DE CHOC ÉLECTRIQUE OU DE BLESSURE, SUIVEZ LES DIRECTIVES SUIVANTES:

- N'utilisez cette hotte que pour l'usage prévu par le fabricant. Si vous avez des questions, contactez Hauslane au +1-800-929-0168 ou par email à info@hauslane.com.
- Avant l'entretien ou le nettoyage, coupez l'alimentation sur le tableau électrique et verrouillez-le afin d'éviter que l'alimentation soit rallumée accidentellement. Quand le tableau électrique ne peut pas être verrouillé, mettez un avertisseur de danger bien visible, une étiquette par exemple, sur le panneau électrique.
- Les travaux d'installation et de câblage électrique doivent être effectués par un personnel qualifié conformément aux codes et standards en vigueur, y compris les codes et standards des constructions à indice de résistance au feu.
- Un apport d'air suffisant est nécessaire pour la bonne combustion et évacuation des gaz à travers le conduit (cheminée) de l'appareil de combustion afin d'éviter un refoulement. Suivez les directives et normes de sécurité du fabricant de l'appareil de chauffage, comme celles publiées par la National Fire Protection Association (NFPA) et la American Society for Heating, Refrigeration and Air Conditioning Engineers (ASHRAE) ou les codes des autorités locales.
- Lorsque vous coupez ou percez les murs ou le plafond, n'endommagez pas les câbles électriques ou d'autres équipements cachés.
- Les ventilateurs doivent toujours être raccordés vers l'extérieur.

- Les ventilateurs doivent toujours être raccordés vers l'extérieur.
- Afin de réduire le risque d'incendie, n'utilisez que des conduits en acier.
- Cette unité doit être maintenue au sol.

AFIN DE RÉDUIRE LE RISQUE D'UN INCENDIE DE CUISINIÈRE:

- Ne laissez jamais l'unité de surface sans surveillance à chaleur élevée. L'ébullition produit de la fumée et des retombées de graisse qui peuvent prendre feu.
- Chauffez l'huile à feu doux ou moyen.
- Allumez toujours la hotte quand vous cuisinez à feu chaud ou quand vous faites flamber un aliment.
- Nettoyer les ventilateurs régulièrement. La graisse ne doit pas s'accumuler sur le ventilateur ou le filtre.
- Utilisez une poêle/casserole de la bonne taille. Utilisez toujours des ustensiles appropriés à la taille de

ATTENTION

AFIN D'ÉVITER QUE DES PERSONNES SOIENT BLESSÉES EN CAS DE FEU DE CUISINIÈRE, SUIVEZ LES DIRECTIVES SUIVANTES:

- CONTRÔLEZ LES FLAMMES** à l'aide d'un couvercle étanche, une plaque à pâtisserie ou un plateau en métal, puis éteignez le brûleur. **FAITES ATTENTION AFIN D'ÉVITER LES BRÛLURES. SI LES FLAMMES N'APPARAISSENT PAS IMMÉDIATEMENT, ÉVACUEZ ET APPELEZ LES POMPIERS.**
- NE VOUS SAISISSEZ JAMAIS D'UNE POÊLE/CASSEROLE ENFLAMMÉE** vous pourriez vous brûler.

N'UTILISEZ PAS D'EAU, ni de torchons ou serviettes humides. Cela pourrait entraîner une violente explosion de vapeur.

Utilisez un extincteur seulement si

- A. Vous possédez un extincteur de classe A-B-C et vous savez vous en servir
- B. Le feu est de faible importance et contrôlé
- C. Les pompiers ont été appelés
- D. Vous pouvez combattre l'incendie en tournant le dos à une sortie de secours

⚠ ATTENTION

1. Convient uniquement pour la ventilation générale. Ne pas utiliser pour évacuer des matières et vapeurs dangereuses ou explosives.
2. Pour éviter que les pales soient bruyantes et/ou déséquilibrées, évitez que le plâtre/la poussière, etc. entre dans le groupe moteur.
3. Montez votre hotte de cuisine de façon à ce que le dessous de la hotte soit de 60 à 76 cm au-dessus de la cuisinière. La distance entre la hotte et le plan de travail ne doit pas être inférieure à 60 cm ; une distance inférieure à 60 cm peut

peut entraîner une surchauffe et causer des dégâts à la hotte, la garantie de HAUSLANE ne s'applique pas à ce type d'installation.

4. L'installation nécessite deux à trois personnes en raison de la largeur et du poids de cette hotte.
5. Afin de diminuer le risque d'incendie et de bien évacuer l'air, assurez-vous que l'air soit conduit vers l'extérieur. N'évacuez pas l'air dans les murs et le plafond ou dans les combles, le vide sanitaire ou un garage.
6. À cause de la forte capacité d'évacuation de cette hotte, vous devriez vous assurer qu'une quantité suffisante d'air entre dans la maison pour remplacer l'air évacué en ouvrant une fenêtre près de ou dans la cuisine.
7. N'utiliser qu'avec un kit de cordons d'alimentation approuvé.
8. Veuillez lire l'étiquette de spécification de produit sur la hotte pour plus d'informations et d'exigences.

Informations sur la Garantie

Cette hotte garantit à l'acheteur d'origine l'absence de défauts de matériaux ou de main d'œuvre pendant deux (2) ans à partir de la date d'achat.

Notre obligation est limitée à la réparation ou au remplacement d'une unité (à notre appréciation) qui se sera révélée défectueuse dans des conditions d'entretien et d'utilisation normales, selon notre propre examen et dans la période de garantie. Nous pouvons créditer le montant de la facture de la valeur du produit défectueux (ou un pourcentage de celui-ci en fonction de l'utilisation) au lieu de le réparer ou le remplacer. Toute défaillance du produit qui ne peut pas être attribuée à un défaut de matériaux ou de main d'œuvre n'est pas couvert par cette garantie. Ces éléments non couverts sont, mais ne sont pas limités à:

- Tout défaut ou dommage des ampoules
- Modification de la couleur ou de la finition due à l'utilisation de produits chimiques
- Modification de la couleur ou de la finition due à l'utilisation de produits chimiques
- Bosses, chocs et rayures occasionnés par la livraison, la manipulation ou l'installation
- Dommage provoqué par un manquement aux instructions d'entretien et de nettoyage, y compris les dégâts causés par l'utilisation d'un nettoyage abrasif
- Modifications apportées à l'unité par l'acheteur ou l'installateur
- Dommage causé par un impact accidentel, un incendie, une inondation, une congélation ou une usure normale
- Pliures et courbures provoquées par des connexions forcées, des raccords trop serrés et un support inadéquat

Une inspection approfondie doit être effectuée avant l'installation et tout dommage doit être signalé rapidement. Nous ne serons pas responsables des vices et dégâts qui auraient pu être découverts ou évités avec un bon examen et un test des équipements avant installation. Les petits travaux qui ne demandent qu'un minimum de temps et d'effort de la part de

l'acheteur ne seront pas pris en charge par la garantie et aucune compensation sera versée

Cette garantie n'est pas cessible et sera annulée si l'unité est retirée de l'endroit où elle a été installée ou si son installation n'a pas été effectuée en accord avec les instructions.

En aucun cas nous serons tenus responsables en cas de dommages corporels ou matériels résultants d'une mauvaise installation ou utilisation de ce produit. Nous ne serons pas tenus responsables des désagréments causés par la perte de jouissance de ce produit, les coûts engagés pour le personnel ou le matériel, le retrait et l'installation d'unités de remplacement ou tout autre dommage accessoire ou consécutif. Les coûts relatifs à l'accès à une réparation ou un remplacement sont de la responsabilité de l'utilisateur. Cette garantie ne s'étend pas à une installation ou utilisation commerciale et institutionnelle.

Procédure de Réclamation sous Garantie

En cas de dommage pouvant être revendiqué, veuillez contacter notre service client au +1-800-929-0168 (8h - 17h PST, Lundi - Vendredi) ou par email à info@hauslane.com Avant de nous contacter, assurez-vous d'avoir:

- Une description de la hotte
- La preuve de vente
- Les informations concernant le dommage
- Les nom(s) et adresse(s) du propriétaire et de l'installateur

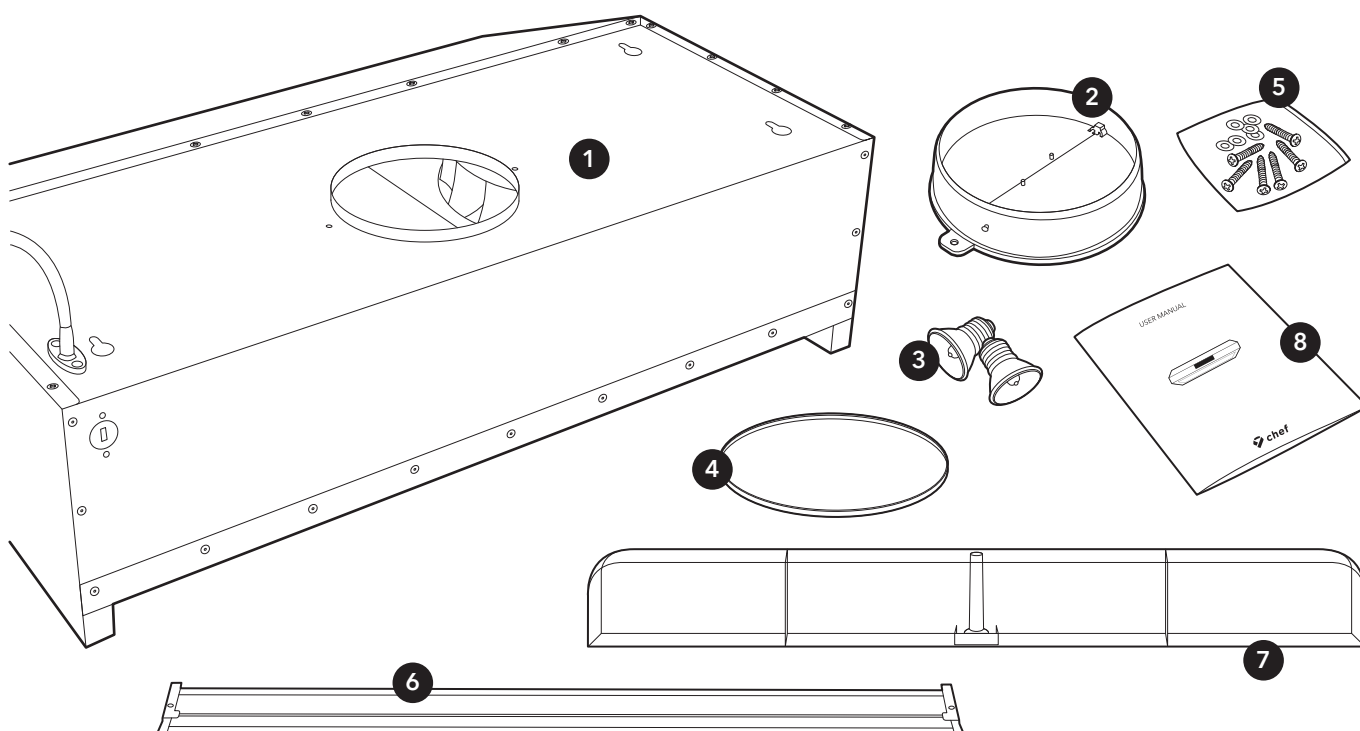
Les réclamations doivent être faites par écrit et envoyées sous six (6) mois à partir de l'apparition d'un dommage. Un manquement à cette condition annule et invalide la garantie. Nous nous réservons le droit à un délai de trente (30) jours suivant la réception de la réclamation durant lequel nous examinerons le produit. Nous ne prenons pas en charge les coûts de personnel, de retrait ou de remplacement d'un produit précédemment installé, de transport ou de retour d'un produit.

Spécifications

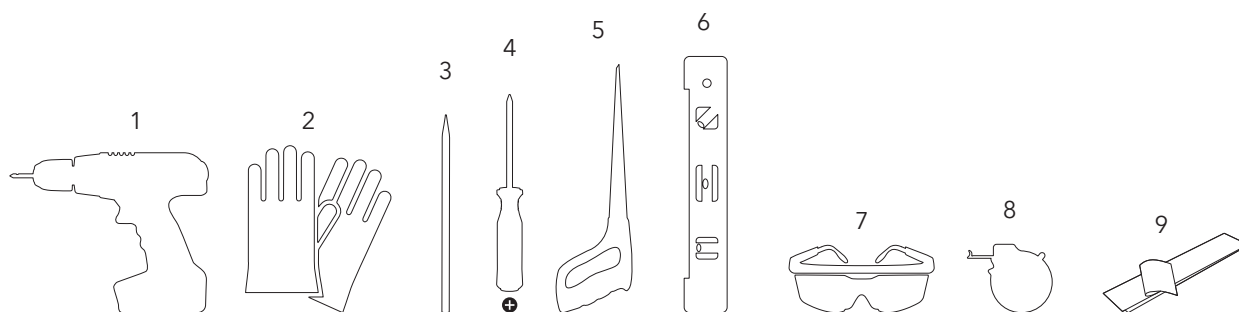
Dimensions UC-PS38SS-30	Volts	Hertz	CFM Ventilateur	Vitesses	Puissance de l'Éclairage	Grade d'Acier Inoxydable
L 75,4 cm P 58,2 cm H 20,8 cm	120	60	950	6	3W (LED)	430

Contenu du Paquet

- 1 Hotte
- 2 Adaptateur Rond
- 3 2 X Ampoule LED
- 4 Joint en Caoutchouc
- 5 Vis Cruciformes en Métal
- 6 Filtre à Graisse
- 7 Cuvette à Eau
- 8 Mode d'Emploi



Outils Nécessaires



- 1 Perceuse Électrique et Embout d'Extension
- 2 Gants de Sécurité
- 3 Crayon
- 4 Tournevis Cruciforme
- 5 Scie à Guichet
- 6 Niveau
- 7 Lunettes de Sécurité
- 8 Mètre Ruban
- 9 Bandes d'Aluminium

Préparation: Que Faire Avant l'Installation

Avant d'installer votre hotte, suivez attentivement les étapes suivantes:

1. Lire Ce Manuel

Lisez bien toutes les étapes. Si vous ne suivez pas correctement les instructions, nous ne serons pas tenus responsables des dommages en résultant. Si vous n'avez pas confiance en votre capacité à installer convenablement la hotte, nous vous conseillons de faire appel à un technicien certifié afin qu'il termine l'installation.

2. Rassembler Vos Outils

Assurez-vous d'avoir tous les outils nécessaires énumérés à la page précédente.

3. S'assurer que l'Appareil Fonctionne

Déballez l'appareil et vérifiez que la hotte ne soit pas abîmée et que rien ne manque. Branchez-la à une prise électrique pour vérifier que le ventilateur et la lumière fonctionnent. Si quelque chose est abîmé ou manquant, contactez le vendeur afin qu'il y remédie. Ne jetez pas l'emballage avant d'être sûr que vous êtes entièrement satisfait du produit.

4. S'assurer que la Hauteur Libre est Suffisante

Afin de garantir la meilleure performance, le dessous de votre hotte doit être éloigné de 60 à 76 cm de la cuisinière. La distance requise pour que les gaz s'évacuent est de 76 cm maximum.

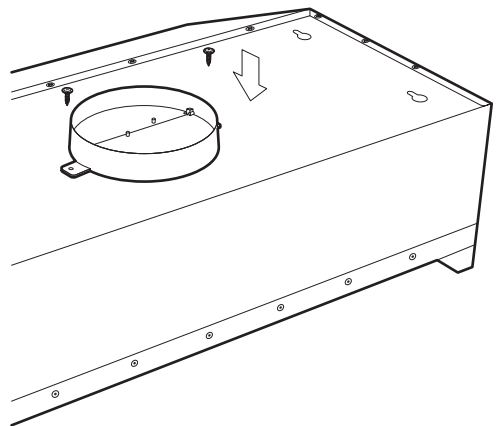
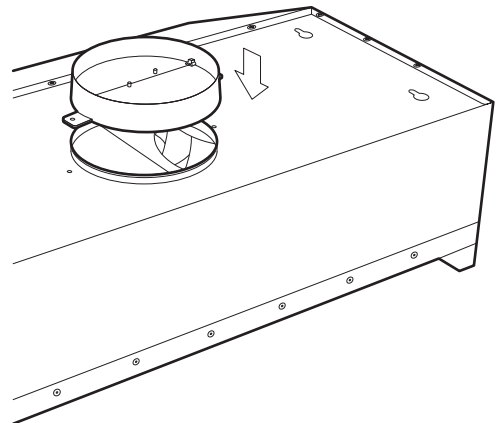
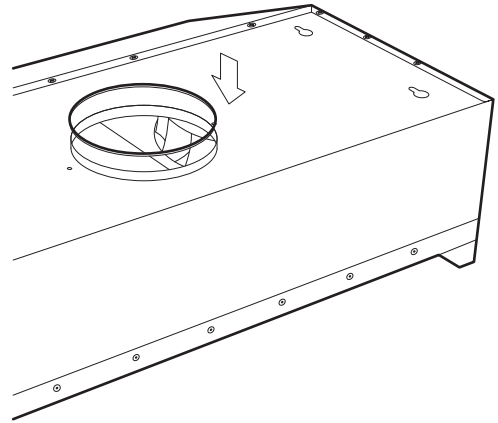
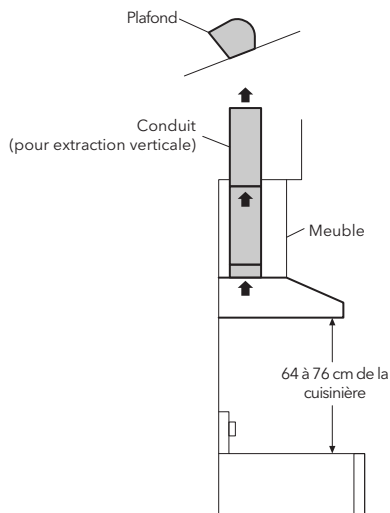
Ne dépassez pas une distance de 76 cm lors de l'utilisation. C'est très important ! Installer la hotte à la mauvaise distance pourrait entraîner une perte de performance considérable ou même un incendie.

5. Vérifier Votre Alimentation Électrique

Vérifiez que votre voltage principal est bien en accord avec le voltage requis, comme précisé sur la plaque signalétique présente dans cette hotte. Vérifiez également l'alimentation électrique domestique afin de garantir une bonne connexion terrestre avant l'installation.

6. Vérifier les Conduits d'Aération et Installer l'Adaptateur

Cette hotte aspirante doit être reliée à l'extérieur via des conduits de 15,2 cm. Servez-vous d'un conduit existant ou faites-en installer un par un professionnel. Ne connectez pas la hotte à des conduits d'échappement qui servent à évacuer des combustibles provenant de cheminées, chaudières ou tout autre appareil similaire. Pour un meilleur résultat, évitez au maximum les coudes et les transitions dans les conduits. Pour installer l'adaptateur, placez le joint en caoutchouc à l'entrée du conduit sur le corps de l'appareil. Ensuite, installez l'adaptateur et fixez-le solidement à l'aide de deux vis (BB).



7. Préparer le Meuble Haut de Cuisine (Sous-Face)

Mesurez la taille de l'adaptateur de sortie par rapport au meuble. Si ce n'est pas déjà fait, il faudra découper une ouverture dans le meuble pour s'assurer que l'adaptateur de sortie et le câble d'alimentation puissent passer à travers. Si vous devez faire ça, utilisez un crayon et une règle pour marquer la zone, puis coupez avec une scie murale/à guichet.

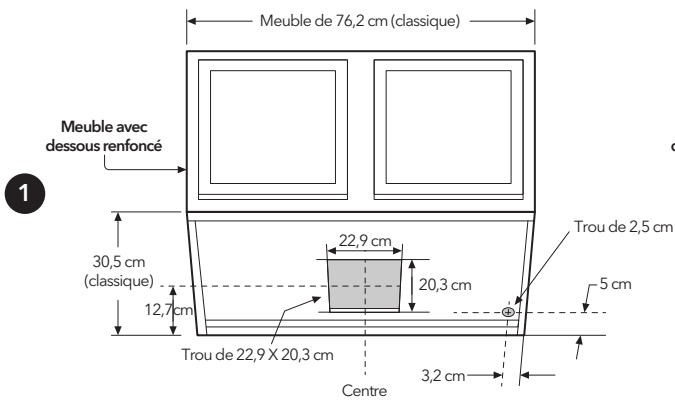
Si vous installez le UC-PS38 sous un meuble de cuisine dont le dessous est renforcé, nous recommandons d'utiliser une bande de bois de remplissage de 10,2 cm de chaque côté pour stabiliser le meuble pour le montage.

9. Trouver un Assistant

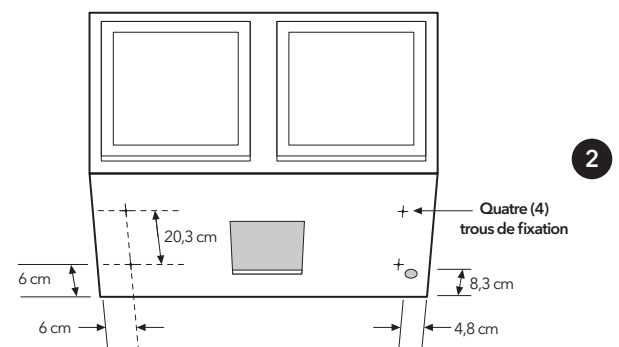
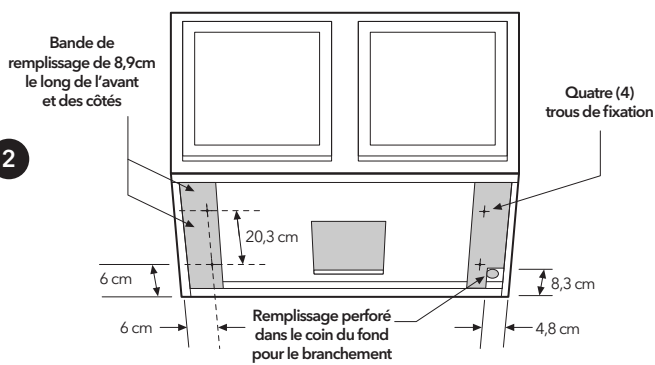
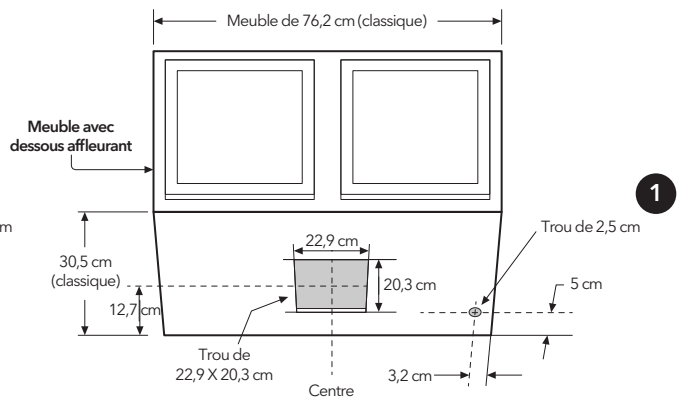
Il est recommandé que deux personnes ou plus soient présentes pour installer cette hotte, de par sa taille et son poids. Nous vous rappelons qu'il est conseillé d'engager un professionnel pour l'installation afin de réduire le risque d'endommager l'appareil ou de se blesser.

Préparer le Meuble

Meuble avec dessous renforcé



Meuble avec dessous affleurant



Comment Installer Votre Hotte

Une fois que vous avez terminé toutes les étapes de préparation, vous êtes prêts à installer votre hotte.

1. Allumer la Hotte

Branchez la hotte et testez toutes les fonctionnalités avant de passer à l'installation. Branchez le câble d'alimentation dans la prise pour vous assurer que le ventilateur, la lumière et l'horloge fonctionnent bien. Référez-vous à la page 9 "Comment Utiliser Votre Hotte" pour le mode d'emploi.

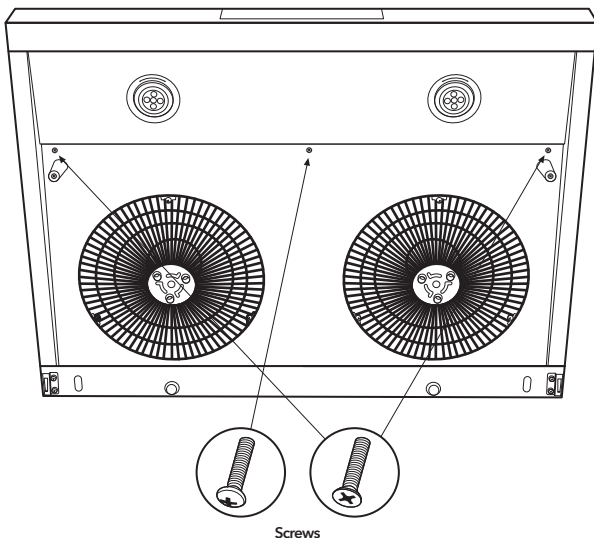
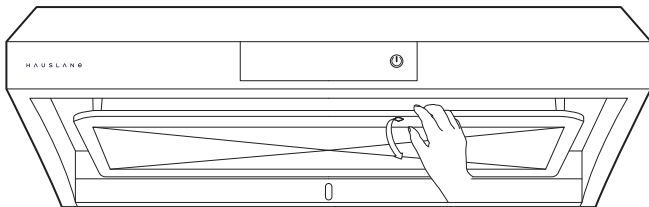
⚠ IMPORTANT: Si la hotte ne fonctionne pas correctement, veuillez nous contacter immédiatement (+1-800-929-0168 /

2. Enlever le Filtre Panneau

Retirez le filtre panneau de la hotte aspirante UC-PS38 en le tirant doucement, puis levez le panneau vers le haut et retirez-le du support le maintenant à l'arrière.

3. Retirer le Cache du Dessous et Fixer l'Adaptateur

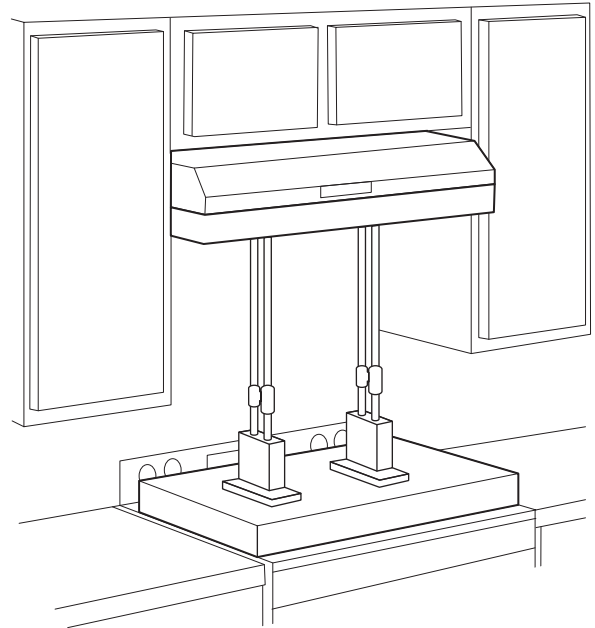
Retirez le cache du dessous en dévissant les trois vis comme sur le schéma. Placez le joint en caoutchouc dans l'ouverture. Ensuite, fixez un adaptateur électrique rond de 15,2 cm et vissez-le solidement à l'aide de deux vis.



4. Surélever la Hotte

Pour cette étape, vous aurez besoin d'un ou deux assistants. Si vous ne retirez pas la cuisinière, placez le contreplaqué (76,2 x 61 cm) sur la cuisinière pour éviter de l'abîmer. Mettez les vérins de levage sur le contreplaqué et placez la deuxième plaque de contreplaqué sur les vérins. À l'aide des vérins, surélevez la hotte jusqu'à sa position sous le meuble haut de cuisine. Une personne s'occupe des vérins pendant qu'une autre maintient la hotte et la guide dans la bonne position. Pour savoir comment fonctionne les vérins de levage, veuillez vous référer à leur mode d'emploi. Assurez-vous que l'adaptateur et le câble d'alimentation entrent bien par les ouvertures du meuble et que le câble d'alimentation n'est pas pincé entre la hotte et le meuble.

Si vous ne voulez pas utiliser de vérins de levage, trois personnes devront être présentes. Deux assistants devront maintenir la hotte en place pendant qu'une troisième mettra les vis pour la fixer.



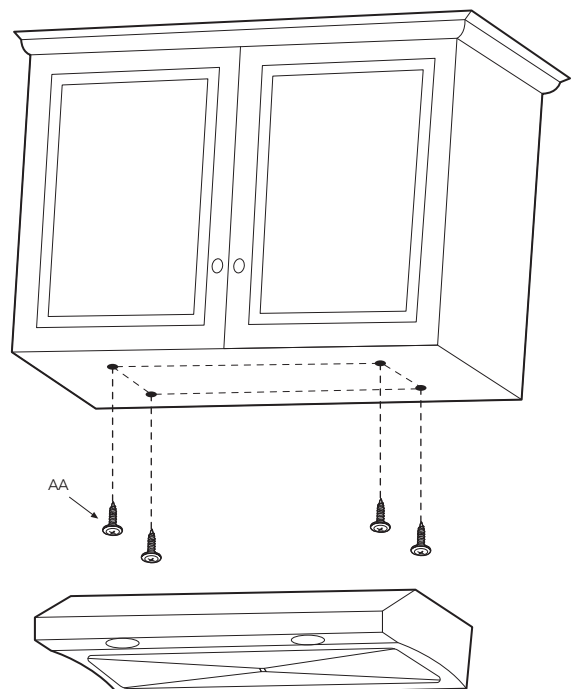
5. La Visser

À partir du dessous de la hotte, insérez minutieusement les vis d'assemblage (AA) avec rondelles dans chaque trou de fixation pré-percé dans la hotte. Commencez par le trou avant gauche, puis avant droit.

Une fois que les vis sont en place sur l'avant, occupez-vous du trou arrière gauche, puis arrière droit. Si vous pensez devoir sécuriser davantage l'installation de la hotte, vous pouvez utiliser les deux trous de fixation supplémentaires sur l'avant/le milieu.

⚠ IMPORTANT: Assurez-vous que la hotte soit parfaitement droite à l'aide d'un niveau, pour que le processus de nettoyage à l'eau puisse fonctionner correctement.

ASTUCE : Afin d'atteindre facilement les trous de fixation à l'arrière, utilisez un embout d'extension sur la perceuse.



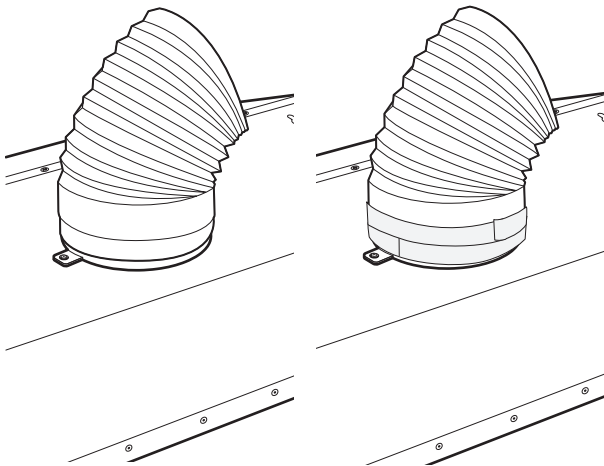
6. Revérifier l'Installation et Retirer le Support

Assurez-vous que la hotte soit bien fixée avant de retirer les vérins de levage et le contreplaqué.

7. Connecter au Clapet d'Aération et Vérifier l'Étanchéité

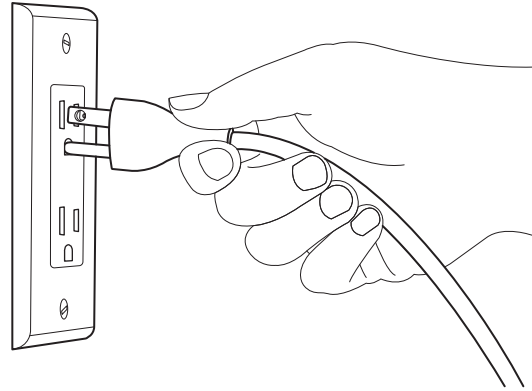
Allumez la hotte pour vous assurer que le clapet s'ouvre et se ferme sans problème. Les performances de l'appareil seront ainsi meilleures et plus silencieuses. Desserrez la vis sur le côté de l'adaptateur, puis insérez la gaine dans l'adaptateur et serrez la vis pour le maintenir en place. Assurez-vous que la gaine est bien fixée à l'adaptateur puis entourez le joint de feuilles d'aluminium afin de le rendre hermétique.

⚠ IMPORTANT: Faites attention quand vous reliez le conduit d'aération à l'adaptateur. Exercer une force trop importante pourrait déloger le clapet qui pourrait tomber dans la partie principale et endommager le moteur.



8. Brancher la Hotte

Branchez le câble d'alimentation à une prise.



9. Remettre le Cache du Dessous, le Filtre Panneau et le Récupérateur de Graisse

À l'aide des 3 vis préalablement retirées, remettez le cache du dessous. Ensuite, remplacez le filtre panneau en alignant bien les trous au support à l'arrière de la hotte. Une fois que le filtre panneau est bien fixé sur les supports, levez-le afin de le remettre en place.

10. Conserver ce Mode d'Emploi

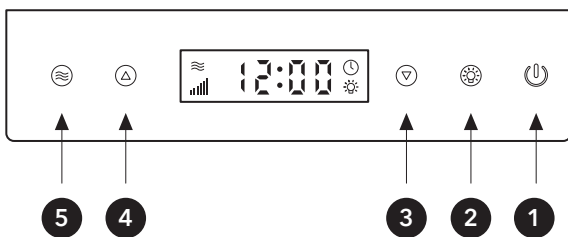
Placez ce mode d'emploi dans un endroit sûr et gardez-le pour une utilisation ultérieure.

Comment Utiliser Votre Hotte

L'UC-PS38 est très simple d'utilisation et est entièrement contrôlé par le panneau de contrôle avant.

Utiliser le Panneau de Contrôle Avant

Utilisez le panneau de contrôle pour changer les paramètres de votre hotte et pour l'allumer et l'éteindre.



- 1- ALLUMER/ÉTEINDRE
- 2- LUMIÈRE
- 3- BAS
- 4- HAUT
- 5- NETTOYAGE VAPEUR AUTOMATIQUE

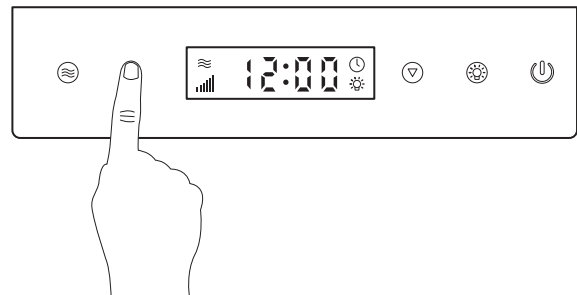
Comment Allumer/Éteindre la Lumière

Cette hotte a un seul mode d'éclairage. Appuyer sur le bouton ampoule (2) pour allumer ou éteindre la lumière.

⚠ ATTENTION: Pour les lampes halogènes, ne touchez jamais les ampoules lorsque la hotte est en marche, elles peuvent être bouillantes

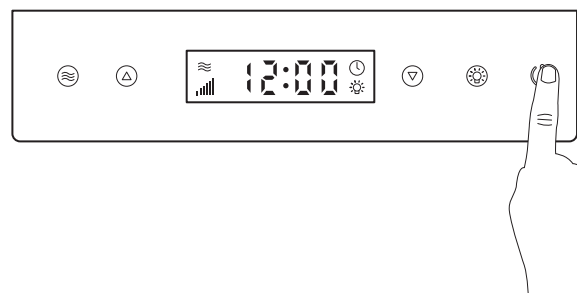
Comment Régler la Vitesse du Ventilateur

Appuyez sur le bouton allumer/éteindre (1) pour allumer la hotte. Pour augmenter/diminuer la vitesse du ventilateur, utilisez les flèches haut/bas (3 & 4) et réglez le ventilateur à la vitesse souhaitée.



Comment Régler l'Horloge

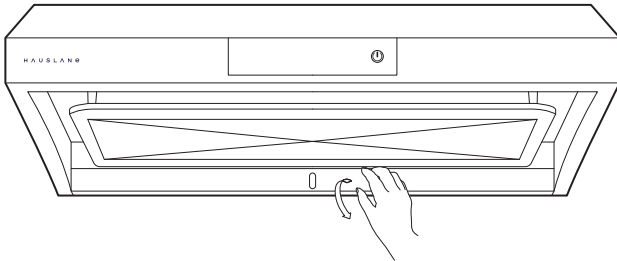
Appuyez sur le bouton allumer/éteindre pendant 3 secondes. Quand l'heure se met à clignoter, appuyez sur les flèches haut et bas (3 & 4) et réglez à l'heure souhaitée. Ensuite, appuyez de nouveau sur le bouton allumer/éteindre pour régler les minutes à l'aide des boutons haut et bas.



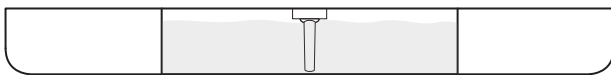
Comment Utiliser le Nettoyage Vapeur Automatique

La fonction nettoyage automatique rend le nettoyage des pales du ventilateur et de l'intérieur de la hotte aspirante UC-PS38 facile. Utilisez-le toutes les 2 semaines ou aussi souvent que possible.

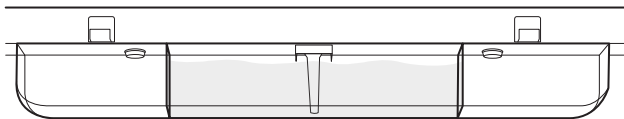
1. Retirez doucement le récupérateur de graisse en métal à l'arrière de la hotte.



2. Utilisez la cuvette en plastique transparente fournie avec la hotte. Remplissez la partie du milieu avec de l'eau propre jusqu'à la limite.



3. Fixez doucement la cuvette en plastique à la hotte. Faites attention à ne pas renverser l'eau. Important : Assurez-vous que la cuvette en plastique soit bien fixée à la hotte. Si elle est mal alignée ou insérée, l'eau ne sera pas correctement diffusée dans la hotte et la fonction de nettoyage automatique ne sera pas efficace.

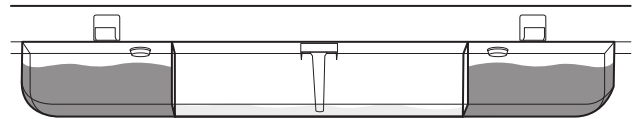


4. Touchez et maintenez le bouton de Nettoyage Vapeur Automatique (5) pour lancer le cycle de nettoyage de 3 minutes.

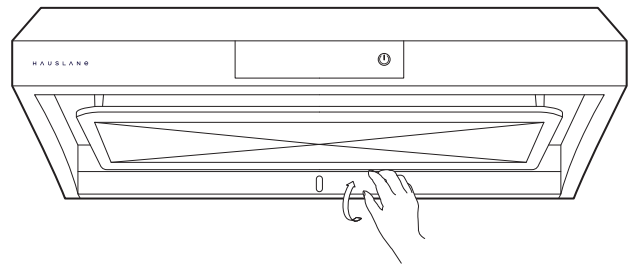
Note: Ce procédé peut être bruyant. De l'eau est aspergée à haute pression sur les pales du ventilateur pendant qu'elles tournent. Étant donné que la vapeur est évacuée par la ventilation, vous ne verrez pas de vapeur.



5. Vers la fin du procédé, l'eau usée se déposera dans les compartiments de la cuvette en plastique.



6. Quand le nettoyage est terminé, retirez la cuvette en plastique et jetez l'eau. Remettez le récupérateur de graisse en métal sur la hotte.



7. Remettez le récupérateur de graisse en métal sur la hotte.

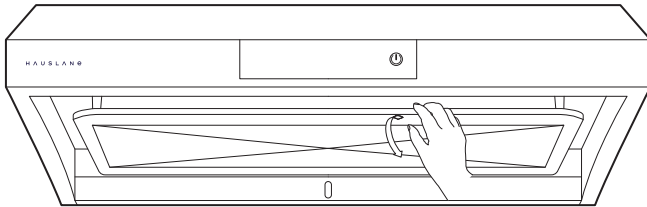
Conseils d'Entretien Basiques

Votre hotte a besoin d'être entretenue régulièrement afin de pouvoir continuer à fonctionner efficacement.

Entretien du Filtre à Graisse

Nettoyez régulièrement les filtres à graisse. Nous vous conseillons de les nettoyer toutes les 2 semaines.

1. Retirez le filtre de la hotte en le tirant doucement vers le bas. Ensuite, levez le panneau vers le haut et retirez-le doucement du support à l'arrière de la hotte.

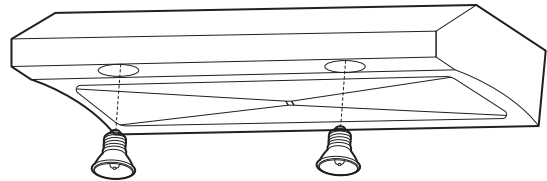
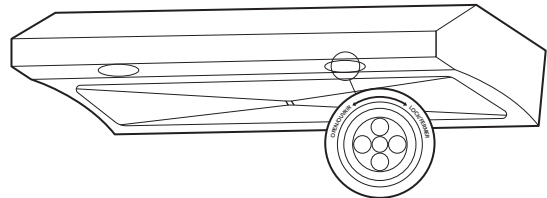


2. Nettoyez les filtres labyrinthe avec de l'eau chaude et du détergent, ou mettez-les au lave-vaisselle. Faites attention en manipulant les filtres pour éviter de les abîmer.
3. Attendez que les filtres labyrinthes soient bien secs.
4. Remettez les filtres labyrinthes à leur place.

Entretien de l'Éclairage

Cette hotte fonctionne avec deux lampes de 3W.

1. Coupez l'électricité. Pour les lampes halogènes, attendez que les ampoules soient bien froides avant de les retirer, si nécessaire (environ 5 minutes).
2. Mettez des gants de protection et tournez l'ampoule dans le sens inverse des aiguilles d'une montre afin de la retirer de la douille.
3. Placez la nouvelle ampoule dans la douille et tournez.



Nettoyer Votre Hotte

Cette hotte restera en bon état et fonctionnera correctement pendant longtemps si on en prend soin. Voici quelques actions à faire ou ne pas faire lorsque vous entretenez votre hotte aspirante.

⚠ ATTENTION: Si les conseils d'entretien et de nettoyage basiques ne sont pas suivis, le risque d'incendie augmente.

À FAIRE	À NE PAS FAIRE
Nettoyer la hotte avec un chiffon humide et du savon ou un poli pour acier inoxydable.	Ne pas utiliser de chiffons ou produits d'entretien corrosifs ou abrasifs. N'utilisez pas de produits ménagers contenant des ingrédients tels que du chlorure, de l'iodure ou du
Nettoyer la hotte de façon à respecter sa matière en acier inoxydable.	Ne pas laisser de résidus de saleté ou de savon sur la hotte. Ils pourraient endommager la surface. Laver la surface de la hotte et rincer immédiatement à l'eau claire.
Une fois nettoyée au savon, rincer à l'eau claire et sécher avec un chiffon propre et sec.	Ne pas laisser de particules et plus particulièrement des particules de bricolage (poussière issue du ponçage etc...) entrer dans la hotte. Recouvrir la hotte le temps d'effectuer des travaux de rénovation.
Vérifier les trous d'aération et conduits régulièrement pour s'assurer qu'ils ne sont pas bouchés.	Ne pas utiliser d'éléments inflammables à côté de la cuisinière, cela pourrait provoquer une explosion.

Conseils de Dépannage

⚠ ATTENTION: Si les conseils d'entretien et de nettoyage basiques ne sont pas suivis, le risque d'incendie augmente.

Problème	Solution
Ma hotte ne fonctionne pas.	<ol style="list-style-type: none"> 1. Vérifiez que l'alimentation électrique et les câbles sont bien connectés. 2. Vérifiez bien que le disjoncteur est en position marche et que l'alimentation en électricité est assurée. 3. Vérifiez que les câbles du panneau de commande sont bien connectés au tableau électrique.
Ma hotte vibre pendant que les ventilateurs sont en marche.	<ol style="list-style-type: none"> 1. Vérifiez que la hotte est bien fixée au meuble/mur. Resserrez ou ajoutez des vis si nécessaire. 2. Assurez-vous que le moteur est solidement fixé et sécurisé. S'il ne l'est pas, resserrez-le. 3. Si ces étapes n'ont pas permis de résoudre le problème, votre ventilateur est peut-être endommagé. S'il est endommagé, vous pourriez avoir besoin de le remplacer.
Le ventilateur est lent.	<ol style="list-style-type: none"> 1. Vérifiez bien que la taille de la gaine est correcte. 2. Nettoyez les conduits ou les filtres s'ils sont sales. Assurez-vous également que l'air est bien ventilé à travers la grille de la hotte. 3. Si possible, vérifiez que le clapet s'ouvre bien.
Le ventilateur ne fonctionne pas bien alors que la lumière fonctionne.	<ol style="list-style-type: none"> 1. Vérifiez bien que le ventilateur n'est pas bloqué / qu'il n'abîme pas une des surfaces de la hotte. 2. Si ce n'est pas le cas, il est possible que le moteur soit défectueux et qu'il faille le remplacer.
La ventilation ne fonctionne pas bien.	<ol style="list-style-type: none"> 1. La distance minimum entre la cuisinière et l'appareil doit être de 60 à 76 cm maximum. Vérifiez que cette distance est bien respectée. 2. Assurez-vous que les conduits ne soient pas trop exposés au vent. 3. Assurez-vous que la vitesse du ventilateur soit appropriée. Plus la préparation du repas/plat est importante, plus la vitesse de la hotte doit être élevée. 4. Fermer les fenêtres et les portes dans la pièce permettra à la ventilation de mieux fonctionner. 5. Comme ça a été signalé lors du processus d'installation, les conduits doivent être bien mis en place. Vous pourriez avoir besoin de réduire la taille du conduit ou des coudes. 6. Assurez-vous que tous les joints des conduits sont bien hermétiques et sécurisés.
La lumière ne fonctionne pas.	<ol style="list-style-type: none"> 1. Vérifiez que l'ampoule n'est pas desserrée auquel cas il faudra la resserrer. 2. Si la resserrer ne règle pas le problème, remplacez l'ampoule par une nouvelle et regardez si cela règle le problème. 3. Si après avoir resserré et /ou remplacé l'ampoule le problème persiste, il est possible que vous deviez remplacer le système d'éclairage de la hotte.
L'écran tactile ne fonctionne plus.	<ol style="list-style-type: none"> 1. Réinitialisez l'appareil en débranchant le cordon électrique, attendez 10 secondes et rebranchez le câble. 2. Si la première étape n'a pas réglé le problème, veuillez nous contacter immédiatement pour que nous remplaçons le panneau de commande.

Vous rencontrez toujours des problèmes après avoir suivi ces étapes ? Contactez notre support technique et un technicien vous aidera. Contactez-nous au **+1-800-929-0168** ou à **info@hauslane.com**

Contacter Hauslane



Extension de Garantie

Si vous êtes intéressé par une extension de garantie, inscrivez-vous sur notre site internet www.hauslane.com



Pièces et Accessoires

Si vous avez besoin de pièces ou accessoires de rechange, allez sur www.hauslane.com



Contactez-Nous

Nous serons heureux de répondre à vos questions ou de résoudre tout problème que vous rencontrez.
Téléphone: 1-800-929-0168



Retrouvez-Nous et Contactez-Nous

