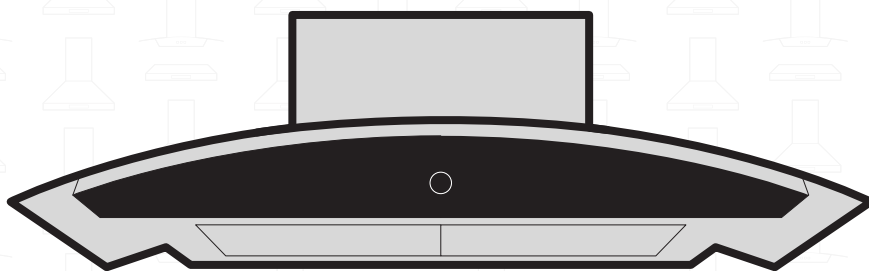


# USER MANUAL



Models WM-639SS-30 & WM-639SS-36

H A U S L A N E | chef<sup>SERIES</sup>

 [kitchensource.com](https://www.kitchensource.com)

 1.800.667.8721

# Table of Contents

|   |   |  |    |
|---|---|--|----|
| Safety Information.....                           | 2 | Satisfied With It.....   | 8  |
| Warranty Information.....                         | 3 | 2. Place Chimney Mounting Bracket.....                         | 8  |
| Specifications.....                               | 4 | 3. Mount the Hood.....   | 8  |
| Tools Needed.....                                 | 4 | 4. Attach Duct to Outlet Adapter (for ducted mode only).....   | 8  |
| Parts Included.....                               | 5 | 5. Assemble the Chimney Bottom.....                            | 9  |
| Preparation: What to do before installation.....  | 6 | 6. Assemble the Chimney Top.....                               | 9  |
| 1. Read This Manual.....                          | 6 | 7. Install Charcoal Filter (for non-ducted mode)....           | 9  |
| 2. Remove Packaging.....                          | 6 | How to Use Your Range Hood.....                                | 10 |
| 3. Ensure There is Proper Height Clearance.....   | 6 | 1. Using the Front Control Panel.....                          | 10 |
| 4. Check Your Power Supply and Ducts.....         | 6 | Basic Maintenance Instructions.....                            | 11 |
| 5. Complete Duct Work (for ducted mode).....      | 6 | 1. Maintaining the Baffle Filter.....                          | 11 |
| 6. Figure out Duct Requirements & Install Adapter | 7 | 2. Replacing the Non-Ducted Recirculation Charcoal Filter..... | 11 |
| 7. Remove Screws.....                             | 7 | 3. Replacing the LED Lamps.....                                | 11 |
| 8. Find a Helper.....                             | 7 | 4. Cleaning the Oil Cup.....                                   | 11 |
| How to Install Your Range Hood.....               | 8 | 5. Cleaning Your Range Hood.....                               | 11 |
| 1. Thoroughly Inspect the Unit & Ensure You Are   |   | Troubleshooting Tips.....                                      | 12 |
|   |   | Contact hauslane.....  | 13 |

## Safety Information

Before installing your range hood, read the entire instruction manual. Installers, leave this manual with the homeowner.

**⚠ WARNING**  
**SUITABLE FOR USE IN HOUSEHOLD COOKING AREA ONLY.**  
**TO REDUCE THE RISK OF FIRE, ELECTRICAL SHOCK, OR INJURY, OBSERVE THE FOLLOWING:**

1. Use this range hood only in the manner intended by the manufacturer. If you have the questions, contact Chef Kitch at 1-800-929-0168 or email at info@hauslane.com.
2. Before servicing or cleaning, switch power off at service panel and lock service panel to prevent power from being switched on accidentally. When the service disconnecting means cannot be locked, securely fasten a prominent warning device, such as a tag, to the service panel.
3. Installation work and electrical wiring must be done by qualified personnel in accordance with all applicable codes and standards, including fire-rated construction codes and standards.
4. Sufficient air is needed for proper combustion and exhausting of gases through the flue (chimney) of fuel-burning equipment to prevent back drafting. Follow the heating equipment manufacturer's guidelines and safety standards such as those published by the National Fire Protection Association (NFPA), and the American Society for Heating, Refrigeration and Air Conditioning Engineers (ASHRAE), and the local code authorities.
5. When cutting or drilling into wall or ceiling, do not damage electrical wiring and other hidden utilities.
6. Ducted fans must always be vented to the outdoors.
7. Do not use this unit with any solid-state speed control device.
8. To reduce the risk of fire, use only steel ductwork.

9. This unit must be grounded.

**TO REDUCE THE RISK OF A RANGE TOP GREASE FIRE:**

1. Never leave surface units unattended at high settings. Boil overs cause smoking and greasy spillovers that may ignite. Heat oils slowly on low or medium settings.
2. Always turn hood ON when cooking at high heat or when cooking flaming foods.
3. Clean ventilating fans frequently. Grease should not be allowed to accumulate on fan or filter.
4. Use proper pan size. Always use cookware appropriate for the size of the surface element.

**⚠ WARNING**  
**TO REDUCE THE RISK OF INJURY TO PERSONS IN THE EVENT OF A RANGE TOP GREASE FIRE, OBSERVE THE FOLLOWING\*:**

1. SMOTHER FLAMES with a close-fitting lid, cookie sheet or metal tray, then turn off the burner. BE CAREFUL TO PREVENT BURNS. IF THE FLAMES DO NOT GO OUT IMMEDIATELY, EVACUATE AND CALL THE FIRE DEPARTMENT.
2. NEVER PICK UP A FLAMING PAN as you may be burned.
3. DO NOT USE WATER, including wet dishcloths or towels. This could cause a violent steam explosion.
4. Use an extinguisher ONLY if:
  - A. You own a Class ABC extinguisher and you know how to operate it.
  - B. The fire is small and contained.
  - C. The fire department has been called.

D. You can fight the fire with your back to an exit.

\*Based on "Kitchen Fire Safety Tips" published by NFPA.

#### **⚠ CAUTION**

1. For general ventilating use only. Do not use to exhaust hazardous or explosive materials and vapors.
2. To avoid damage and noisy and/or unbalanced impellers, keep drywall/construction dust, etc. off power unit.
3. Mount your range hood so that the bottom of the hood is 24" to 30" above the cooking surface. The minimum hood distance above cooktop must not be less than 24"; any installation less than 24" may cause overheating and cause damage to the range hood, HAUSLANE does not warrant this improper installation.
4. Two to three installers are recommended because of the larger size and weight of this hood.
5. To reduce the risk of fire and to properly exhaust air, be sure to duct air outside. Do not exhaust air into spaces within walls and ceiling or into attics, crawl space or garages.
6. Because of the high exhausting capacity of this hood, you should make sure enough air is entering the house to replace exhausted air by opening a window close to or in the kitchen.
7. Use with approved cord-connection kit only.
8. Please read product specification label on range hood for further information and requirements.

## Warranty Information

This range hood is warranted to the original purchaser to be free of defects in material and workmanship for two (2) years from the date of purchase.

Our obligation shall be limited to the repair or replacement of a unit (at our discretion) that may prove, by our sole examination, to be defective under normal use and service during the warranty period. We may issue credit in the amount of the invoice value of the defective product (or a percentage of it according to use) in lieu of repair or replacement. Any failure of this product that is not traceable to a defect in material or workmanship is not covered by this warranty. These non-warrantable items include, but are not limited to:

- Any defects or damage to light bulbs
- Change in color or finish due to chemical usage
- Improper installation not in accordance with the instructions
- Dents, bumps, and scratches incurred during shipping, handling, or installation
- Damage caused by failure to follow care and cleaning guidelines, including damage caused by the use of abrasive cleaners
- Alterations made to the unit by the purchaser or installer
- Damage caused by accidental impact, fire, flood, freezing, and normal wear
- Bends and warping caused by forced connections, over-tightened fittings, and inadequate support during installation

A thorough inspection must be made before installation and any damage must be promptly reported. We will not be liable for failures or damage that could have been discovered or avoided by proper inspection and testing prior to installation.

Incidental repairs that would involve a minimum of time and effort on behalf of the purchaser will not be considered warranty work and no compensation will be deemed forth coming.

This warranty is non-transferable and shall be voided if the unit is removed from its initial installation or if it is not installed

following the instructions.

Under no circumstance shall we be held liable for personal injury or property damage resulting from improper installation or use of this product. We will not be held liable for inconvenience caused by loss of use of this product, costs incurred for labor or materials, removal and installation of replacement units, or any other incidental or consequential damages. Costs relating to obtaining access for repair or replacement are the responsibility of the user.

This warranty does not extend to commercial and institutional installation or use.

### Warranty Claim Procedure

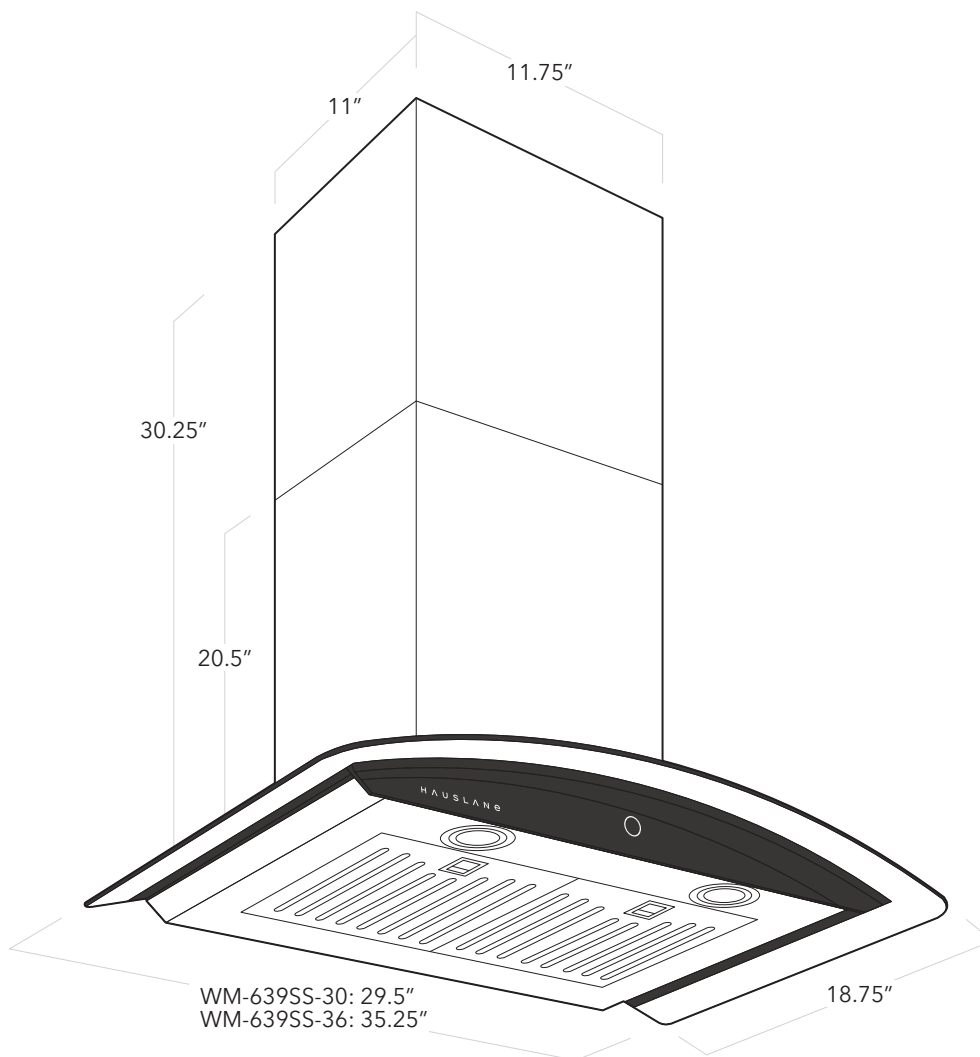
If a claimable defect occurs, please contact our customer service team at 1-800-929-0168 (8 a.m. - 5 p.m., PST, Monday - Friday), or email us at [info@hauslane.com](mailto:info@hauslane.com). Before you make your claim call, please ensure that you have:

- Description of the range hood
- Proof of sale
- Details regarding the defect
- Name(s) and address(es) of the owner and installer

Claims must be filled out in writing and returned within six (6) months of the appearance of a defect. Failure to comply with this stipulation will make this warranty null and void. We reserve the right to a thirty-day (30) delay following the receipt of a claim in which to inspect the product. We assume no responsibility for labor costs, removing or replacing a previously installed product, transportation, or the return of a product.

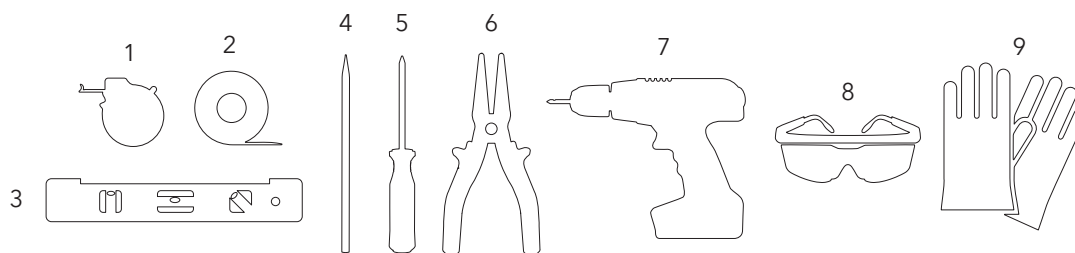
## Specifications

| Dimensions WM-639SS-30 | Dimensions WM-639SS-36 | Volts | Hertz | Fan CFM | Speeds | Light Wattage | Stainless Steel Grade |
|------------------------|------------------------|-------|-------|---------|--------|---------------|-----------------------|
| 29.5" W<br>18.75" D    | 35.25" W<br>18.75" D   | 120   | 60    | 900     | 3      | 2W (LED)      | 430                   |



## Tools Needed

Before you begin the installation process, gather the following tools:



1 Measuring Tape

2 Tape

3 Level

4 Pencil

5 Philips Screwdriver

6 Needle nose pliers

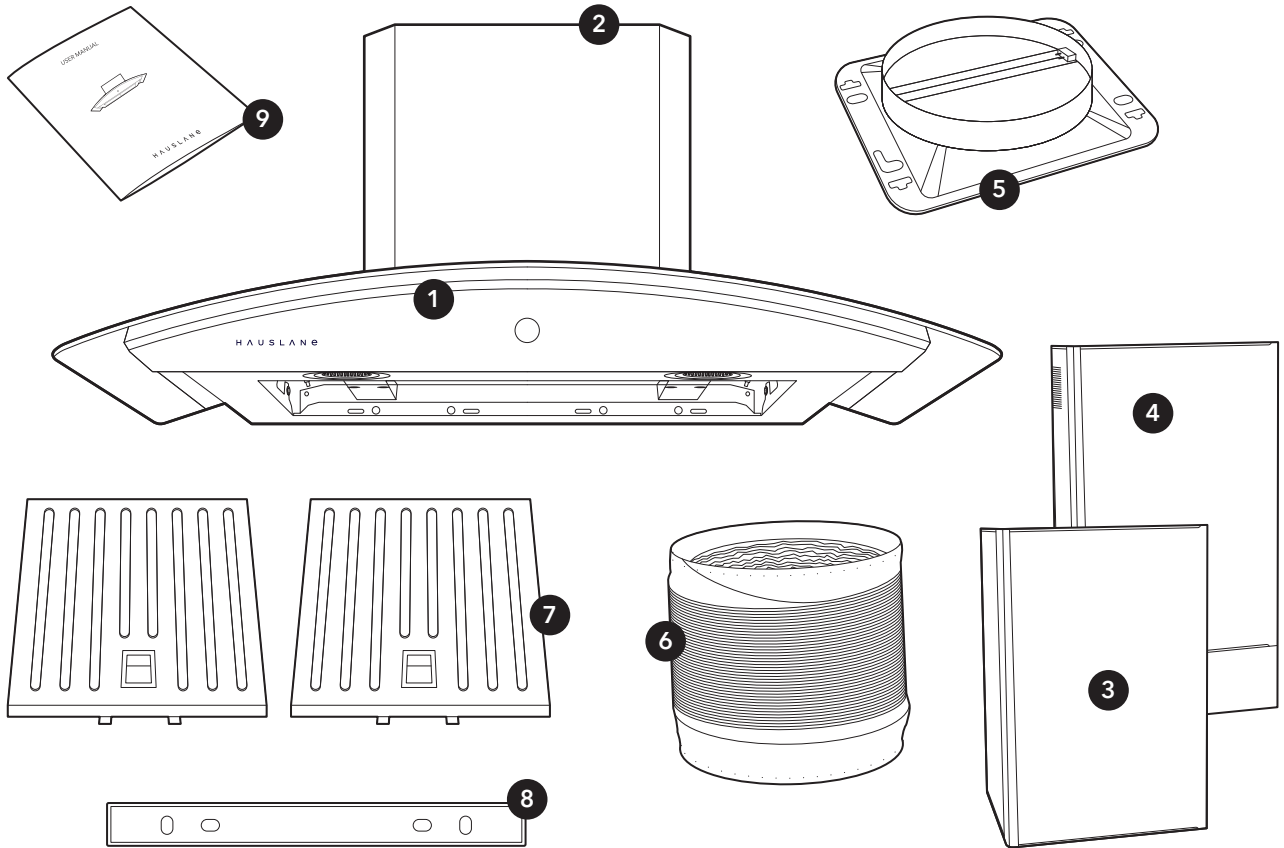
7 Electric Drill

8 Safety Goggles






9 Safety Gloves

## Package Contents

- 1 Range Hood
- 2 Chimney Bracket
- 3 Bottom Chimney
- 4 Top Chimney
- 5 Duct Adapter
- 6 Flexible Aluminum Duct
- 7 2 x Baffle Filters (Preinstalled)
- 8 Chimney Mounting Bracket
- 9 User Manual



## Parts Included

- 1  4 x AA Hood mounting screws
- 2  4 x BB Brick anchor
- 3  2 x CC Chimney mounting bracket screws
- 4  2 x DD Duct cover screws (another 2 are preinstalled on the back side of the unit)
- 4  4 x EE Adapter mounting screws (preinstalled on the unit)

## Preparation: What to Do Before Installation

Before installing your range hood, carefully follow these steps:

### 1. Read This Manual

Read through all the steps. If you fail to read the instructions carefully, we will not be responsible for damages incurred on your part. If you're not confident in your abilities to install the range hood properly, we recommend hiring a certified technician to complete the installation. While reading through the manual, ensure you have the necessary tools and parts according to the previous page.

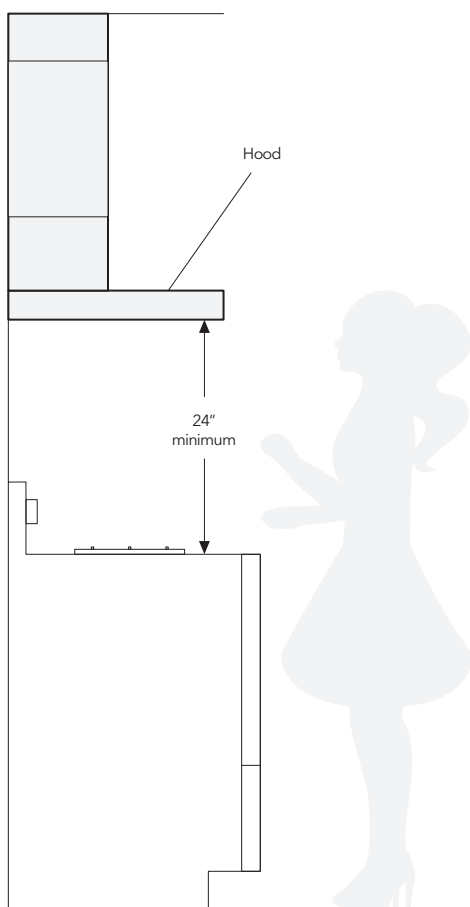
### 2. Remove Packaging

Open the box and carefully unbox the range hood. Remove any packaging, including the plastic wrap and protective plastic film, from the hood and the chimney covers. You can use stainless steel cleaner to wipe down the surface if desired. Keep all packaging materials until you are satisfied with our product.

### 3. Ensure There is Proper Height Clearance

To ensure the highest performance, the bottom of your range hood must be between 24" and 30" from the top of the cooking surface. For gas ranges, the required distance is 30".

Installing at the incorrect height could lead to drastic reduction in the range's performance or even cause a fire.



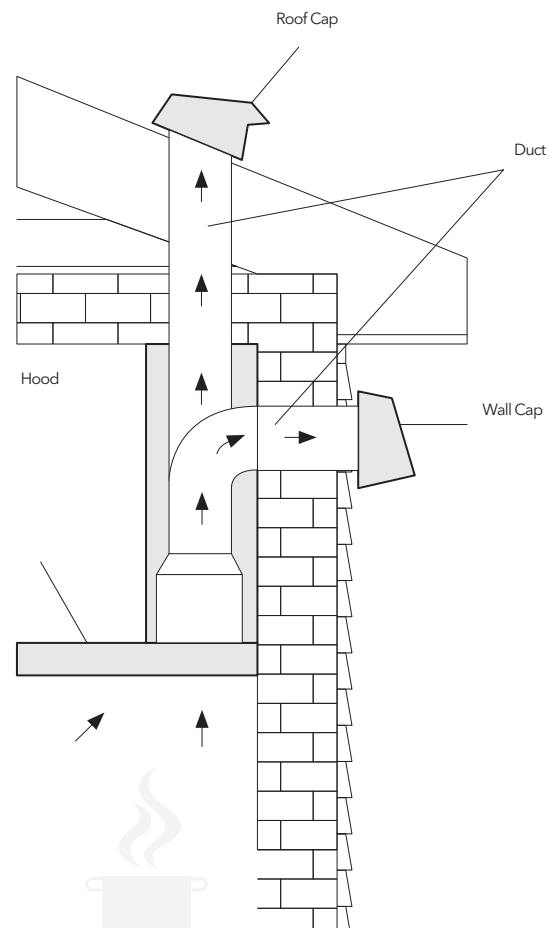
### 4. Check Your Power Supply and Ducts

Check to ensure your main voltage is in line with the required voltage outlined on the rating plate inside this hood. Also check the domestic power supply to guarantee adequate earthing before installation. When ducting to the outside, don't connect the range hood to exhaust ducts that carry any type of combustion fumes like fireplaces, boilers, or any similar items. The vents should have a short, straight run to the outside. Avoid any elbows if possible, and if an elbow is required, a minimum of a 12" straight run is imperative before the elbow.

### 5. Complete Duct Work (for ducted mode)

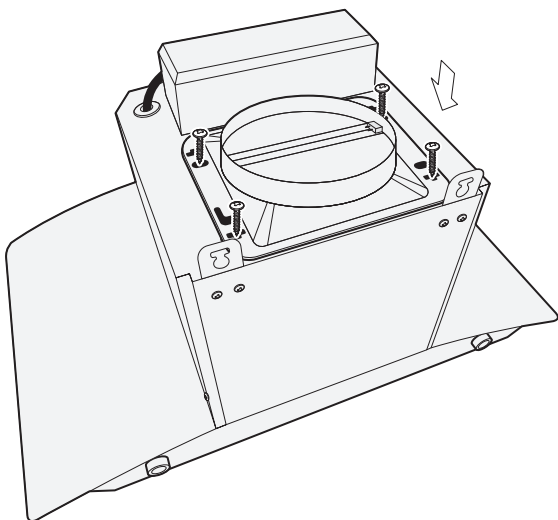
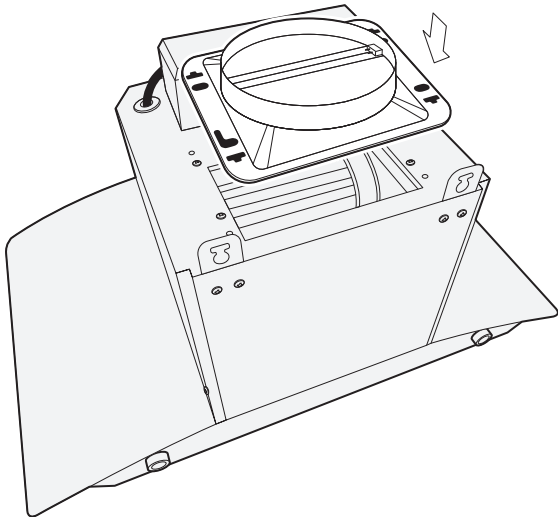
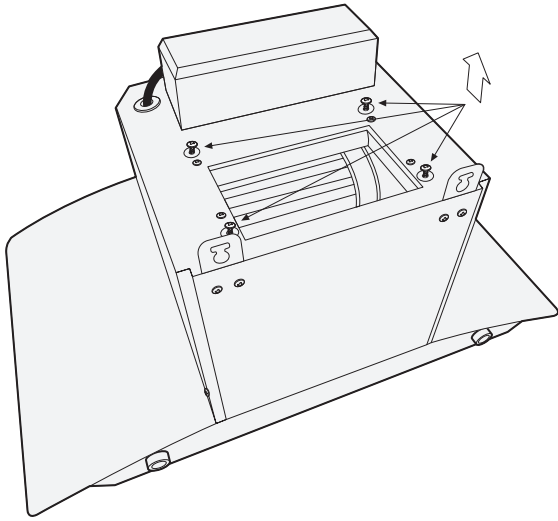
Remove the three baffle filters from the range hood by pulling the levers out and slowly removing them. Set them aside. Decide where the ductwork (not included) will run between the hood and the outside. A straight, short duct run will allow the hood to perform most efficiently. Long duct runs, elbows, and transitions will reduce the performance of the hood. Use as few of them as possible. Larger ducting may be required for best performance with longer duct runs.

Attach an adequate length of approximately 6 inches round duct to the air outlet adapter. The air must not be discharged into a flue that is used for exhausting fumes from appliances burning gas or other fuels. Be sure to fulfill all regulations concerning air discharge. Install a roof/wall cap. Connect round metal ductwork to cap and work back towards hood location. Use duct tape to seal the joints between ductwork sections. (The roof/wall cap should be sourced locally).



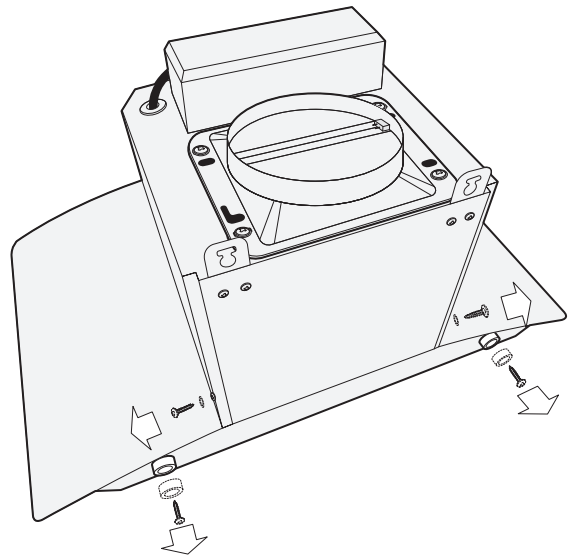
**6. Figure Out Ducting Requirements & Install Adapter**

Install duct adapter by removing 4 screws (EE) (need image), and then put the adapter over the vent exit and secure with the 4 previous removed screws at the exact location.



**7. Remove Screws**

Remove screws on the side and at the back. (Keep to secure chimney cover it needed)



**8. Find a Helper**

This range hood is best installed by two or more people due to its size and weight. Again, it is recommended to hire a certified technician for installation to reduce the risk of damage or injury.

## How to Install Your Range Hood

When you've completed all the preparation steps, you're ready to install your range hood.

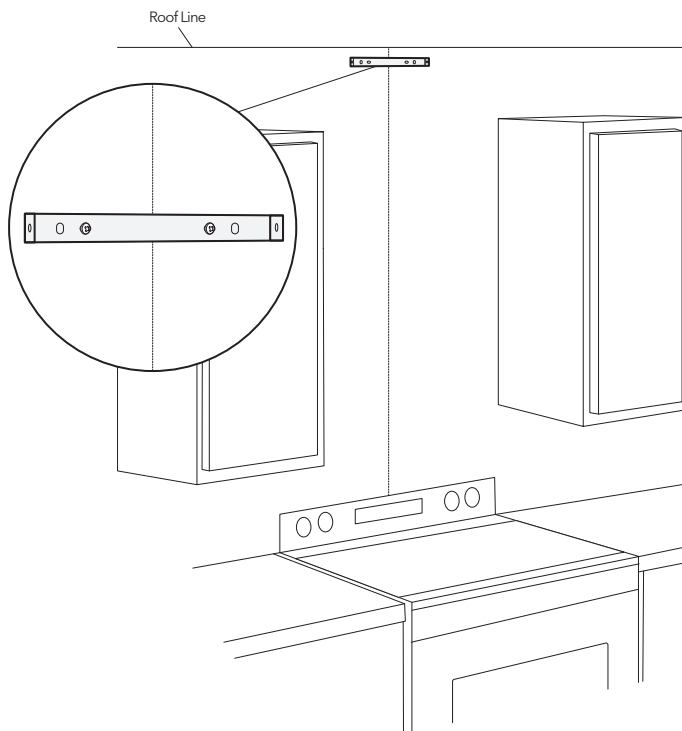
### 1. Thoroughly Inspect the Unit and Ensure You Are Satisfied With It

Check your range hood for damaged or missing parts. Plug it in to an outlet to ensure the fan and lights work. If anything is damaged or missing, contact the manufacturer to get the issues solved. Don't throw away packaging until you're sure you are fully satisfied with the product.

**⚠ IMPORTANT:** Power the range hood and test all functions before proceeding with the installation. *If the range hood is not working properly, please contact us immediately (1-800-929-0168 / info@hauslane.com).*

### 2. Place the Chimney Mounting Bracket

Secure the chimney mounting bracket (B) to the wall using the two chimney bracket screws (CC). Make sure that the top of the bracket is about one inch from the ceiling or upper limit of the installation area, aligning the center notch with the vertical reference line.



### 3. Mount the Hood

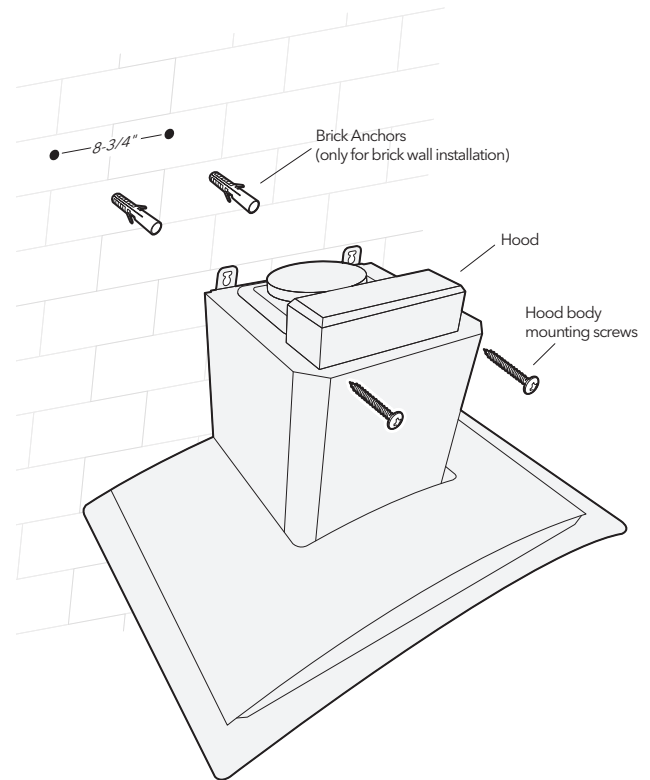
*If you are the only person installing the hood:*

Install the two hood mounting screws (AA) along with the corresponding anchors (BB) if it is a brick wall. The distance between the two screws should be 8-3/4". Use a level to ensure the two screws are level.

Hook the hood body (A) onto the screws (AA) that are already mounted onto the wall and securely tighten the screws.

*Or, if you have a helper:*

One person should hold the hood exactly where you want it to be installed. While one person holds the hood firmly against the wall, the other person should install the screws through the hood and tighten them securely.

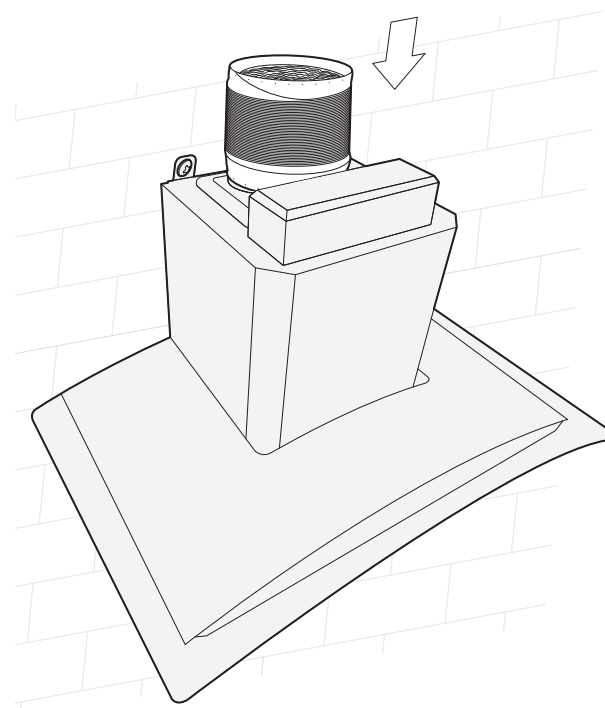


### 4. Attach Duct to Outlet Adapter (for ducted mode only)

**⚠ CAUTION:** to reduce risk of fire, use metal ductwork only.

Now, attach an adequate length of 6-inch round duct to the top of the outlet adapter. Secure the duct, taping all joints to ensure proper connection. Then, make sure the two flappers on the damper assembly operate freely.

Note: Ductwork is not included with this range hood.

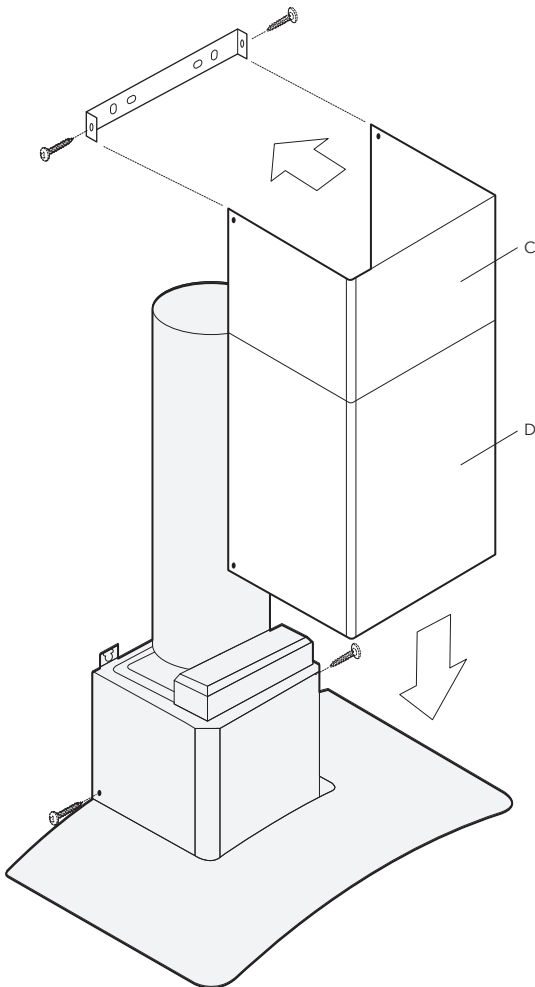




### 5. Assemble the Chimney Bottom

Carefully slide the bottom chimney (C) down outside the top chimney (D), and then carefully place the bottom chimney (C) into the recessed area of the hood body top.

If you feel that extra security is needed, fix the bottom chimney (C) with two previously removed chimney bottom screws (DD) supplied from side of hood body.



### 6. Assemble the Chimney Top

Raise the top chimney (D) up inside the bottom chimney (C). Secure the top chimney (D) to the chimney mounting bracket (B) that is securely attached on the wall with the two chimney bracket screws (CC) supplied from two sides.

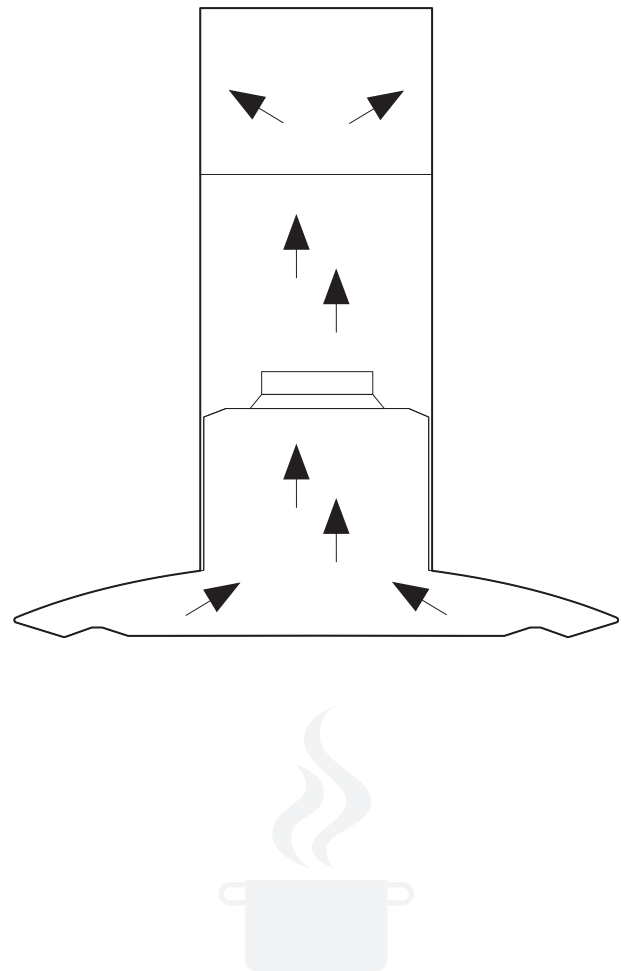
For 10-foot ceiling or higher, we recommend using a chimney extension. They can be purchased separately on our website at [www.chefrangehoods.com](http://www.chefrangehoods.com).

### 7. Install Charcoal Filter (for non-ducted mode)

If you want to use your range hood in non-ducted mode, you will need charcoal filters. Charcoal filters are not included and can be purchased separately on our website: [www.chefrangehoods.com](http://www.chefrangehoods.com)

To install the charcoal filter, you'll first need to remove the grease filter. Then, install the charcoal filter by placing the charcoal filter to the side of the blower, turn to lock the filter in place. The air will flow out from the two grids on the two sides of the chimney top.

After placing the charcoal filter, re-install the grease filter. The charcoal filter is not washable and should be replaced approximately every 3 months, or more frequently for heavy use.



### Be Careful with Electrical Connections.

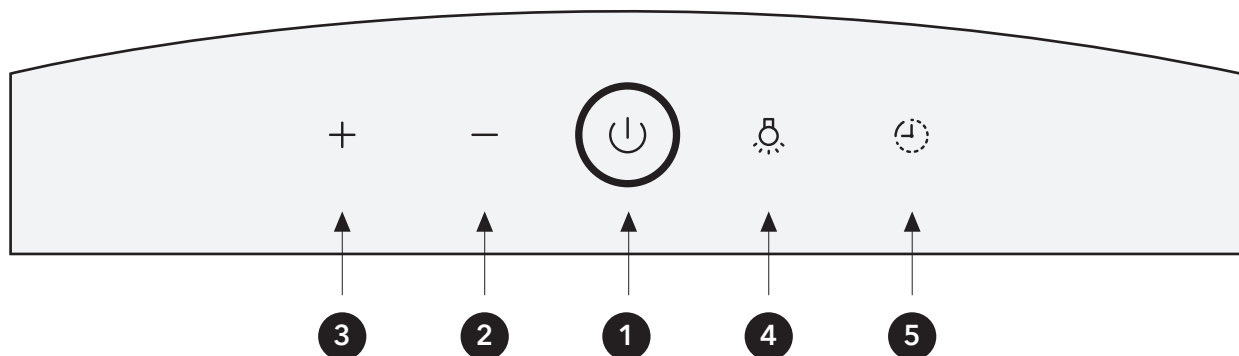
**⚠ WARNING:** Electrical wiring must be done by a qualified person(s) in accordance with all applicable codes and standards. Turn off electrical power at service entrance before wiring.

**⚠ WARNING:** Do not use the plug and an extension cord other than the ones initially supplied with the hood.

**⚠ WARNING:** The ground connection of this hood is compulsory. Do not remove ground prong of the plug.

## How to Use Your Range Hood

Now that your range hood is installed, it's time to learn how to use it. It is very simple to use and is operated entirely using the front control panel.



1- Press to power on and off.

2- Press once to reduce fan speed.

3- Press once to increase fan speed.

4- This range hood offers an upgraded illumination mechanism and has 2 light intensity levels. By touching the light button a low intensity is set. If you touch the button again, higher light intensity is set. By touching a third time, the light will turn off.

5- When the hood is operation, touch this button to enter 60S delay setting mode.

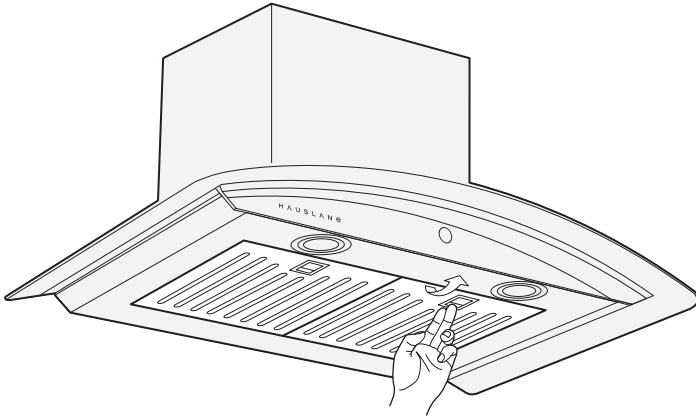
## Basic Maintenance Instructions

Your range hood requires some easy routine maintenance to keep it running efficiently.

### Maintaining the Baffle Filter

Clean the grease filters frequently—we suggest cleaning every 2 months, or more frequently for heavy use.

1. To remove the baffle filters, push down on the latch, tilt the filter, and lift out.



2. Wash the baffle filters, taking care not to bend them. Alternatively, place them in dishwasher.
3. Let the baffle filters dry completely.
4. Reinstall the baffle filters.

### Replacing the Non-Ducted Recirculation Charcoal Filter

The charcoal filter is not included. It is not washable and should be replaced approximately every 3 months, or more frequently for heavy use.

1. Install the charcoal filter (not included) by removing the baffle filter and placing the charcoal filter on the side of the motor and turn to lock its position.
2. After placing the charcoal filter, re-install the grease filter.

### Cleaning Your Range Hood

This range hood will look great and function correctly for a long time with proper care. Here are a few do's and don'ts when caring for your range hood.

**⚠ WARNING:** Failure to maintain basic standards of care and cleaning will increase the risk of fire.

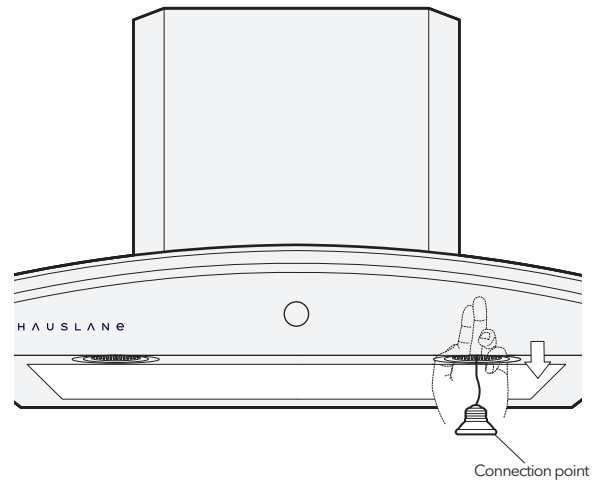
| DO   | DONT   |
|--|--|
| Clean the range hood with warm, soapy cloth or a stainless-steel polish.           | Don't use cleaners or cloths that are corrosive or abrasive. Don't use detergents with ingredients like chloride, iodide, or fluoride.     |
| Clean the hood in line with the grain of the stainless steel.                      | Don't leave dirt or soap residue on the hood. This can damage the surface. Wash the hood's surface and rinse immediately with clean water. |
| After cleaning with soap, rinse with clean water and wipe with a clean, dry cloth. | Don't let particles, especially construction particles (from sanding, etc.) enter the hood. Cover the hood during room renovations.        |
| Check the ducts and vents regularly to make sure they are not clogged.             | Don't use flammable agents near the stove, as these can cause explosions.  |

### Replacing the LED Lamps

**⚠ CAUTION:** Always switch off the electrical supply before replacing LED lamps.

This range hood requires two LED lamps (120V, 2W)

1. Switch off power and remove the baffle filters. Remove the baffle filters.
2. Disconnect the light from the range hood.
3. Push out the light bulb from inside. Install new lights by connecting the wire and pushing up the light. Reinstall baffle filters to complete the process.



### Cleaning the Oil Cup

The oil cup is located in the motor blower and must be cleaned frequently. Do not let the oil cup get more than half full.

1. Remove the oil cup by sliding it out carefully.
2. To clean, simply use a warm detergent.
3. Allow the oil cup to dry before reinstalling.

## Troubleshooting Tips

**⚠️ WARNING:** Please turn off the power circuit or power breaker panel before troubleshooting this range hood. Failure to do so can cause death or serious injury.

| Problem   | Solution   |
|---|--|
| My range hood won't work.   | <ol style="list-style-type: none"> <li>1. Make sure the power supply and wiring are connected securely.</li> <li>2. Double-check to see that the power breaker is on and the power supply is live.</li> <li>3. Check to see that the control panel cables are connected correctly to the switchboards.</li> </ol>  |
| My range hood vibrates while the fan is operating.                  | <ol style="list-style-type: none"> <li>1. Check to ensure the hood is firmly secured to the cabinet/wall. Tighten or add screws if necessary.</li> <li>2. Confirm that the motor is firmly in place and secured safely. If it is not, tighten it.</li> <li>3. If those steps haven't resolved the issue, your fan may be damaged. If it is damaged, you may need to replace it.</li> </ol>   |
| The fan is operating weakly.  | <ol style="list-style-type: none"> <li>1. Double-check to ensure the duct size is correct.</li> <li>2. Clean ducts or filters if they're dirty. Also, check to make sure the mesh enclosure on the hood is receiving proper air ventilation.</li> <li>3. If possible, check to see that the damper is functioning properly regarding the opening.</li> </ol>   |
| The fan is not working properly even though the lights are working. | <ol style="list-style-type: none"> <li>1. Double-check that the fan is not jammed /that it isn't scraping any of the surfaces of the hood.</li> <li>2. If this doesn't work, you may need to replace the motor as it may be defective.</li> </ol>  |
| The vent hood is not working efficiently.                           | <ol style="list-style-type: none"> <li>1. The minimum distance between the cooking area and the appliance should be 24" or 30" maximum. Check to see if this is correct.</li> <li>2. Make sure that the duct is not susceptible to easy wind opening.</li> <li>3. Make sure the fan speed is at the appropriate rate. The heavier the cooking, the greater the speed of the hood should be set.</li> <li>4. Closing the windows and doors in the room will allow the vent to work much better.</li> <li>5. As noted during the installation process, all ductwork must be done correctly. You may need to reduce the length of ductwork or reduce elbows.</li> <li>6. Make sure all joinery in ductwork is sealed and secured properly.</li> </ol> |
| The light is not working.   | <ol style="list-style-type: none"> <li>1. Check to see if lightbulb is loose and needs to be tightened.</li> <li>2. If tightening doesn't fix the problem, replace bulb with a new one and see if that solves the issue.</li> <li>3. If replacement and/or tightening does not solve, you may need to replace the lighting service system on the hood.</li> </ol>  |

Still experiencing problems after following these steps? Contact a technician to assist. Contact us at **1-800-929-0168** or [info@hauslane.com](mailto:info@hauslane.com).

---

# Contact Hauslane

---



### Extended Warranties

If you are interested in an extended warranty, sign up on our website at [www.hauslane.com](http://www.hauslane.com)



### Parts and Accessories

If you need replacement parts or accessories, visit [www.hauslane.com](http://www.hauslane.com)



### Contact Us

We'd be happy to answer your questions or resolve any issues you may have.  
Phone: 1-800-929-0168



Find Us and Connect with Us

