

6" High, Drawer Extends to 22" Depth	MODEL White or Black Front Panel	MODEL Stainless Front Panel
<ul style="list-style-type: none"> ◆ 635± CFM @ 1.5 to 4.6 Sones ◆ 7" Round Duct, 4.25" Off Center 	<p>WHITE PANEL G3030PS1-WH G3036PS1-WH G3042PS1-WH</p> <p>BLACK PANEL G3030PS1-BL G3036PS1-BL G3042PS1-BL</p>	<p>WHITE BODY / STAINLESS PANEL G3030PS1-WH-SS G3036PS1-WH-SS G3042PS1-WH-SS</p> <p>BLACK BODY / STAINLESS PANEL G3030PS1-BL-SS G3036PS1-BL-SS G3042PS1-BL-SS</p>
<ul style="list-style-type: none"> ◆ 760± CFM @ 1.5 to 4.6 Sones ◆ 8" Round Transition 4.25" Off Center 	<p>WHITE PANEL G3030PS1-8-WH G3036PS1-8-WH G3042PS1-8-WH</p> <p>BLACK PANEL G3030PS1-8-BL G3036PS1-8-BL G3042PS1-8-BL</p>	<p>WHITE BODY / STAINLESS PANEL G3030PS1-8-WH-SS G3036PS1-8-WH-SS G3042PS1-8-WH-SS</p> <p>BLACK BODY / STAINLESS PANEL G3030PS1-8-BL-SS G3036PS1-8-BL-SS G3042PS1-8-BL-SS</p>
6" High, Drawer Extends to 18" Depth	MODEL White or Black Front Panel	MODEL Stainless Front Panel
<ul style="list-style-type: none"> ◆ 430± CFM @ 2.5 to 7.6 Sones ◆ 7" Round Duct 	<p>WHITE PANEL G3030SD4-WH G3036SD4-WH G3042SD4-WH G3048SD4-WH</p> <p>BLACK PANEL G3030SD4-BL G3036SD4-BL G3042SD4-BL G3042SD4-BL</p>	<p>WHITE BODY / STAINLESS PANEL G3030SD4-WH-SS G3036SD4-WH-SS G3042SD4-WH-SS G3048SD4-WH-SS</p> <p>BLACK BODY / STAINLESS PANEL G3030SD4-BL-SS G3036SD4-BL-SS G3042SD4-BL-SS G3042SD4-BL-SS</p>
<ul style="list-style-type: none"> ◆ 360± CFM @ 2.5 to 4.9 Sones ◆ 7" Round Duct 	<p>WHITE PANEL G3030SD2-WH G3036SD2-WH G3042SD2-WH</p> <p>BLACK PANEL G3030SD2-BL G3036SD2-BL G3042SD2-BL</p>	<p>WHITE BODY / STAINLESS PANEL G3030SD2-WH-SS G3036SD2-WH-SS G3042SD2-WH-SS</p> <p>BLACK BODY / STAINLESS PANEL G3030SD2-BL-SS G3036SD2-BL-SS G3042SD2-BL-SS</p>



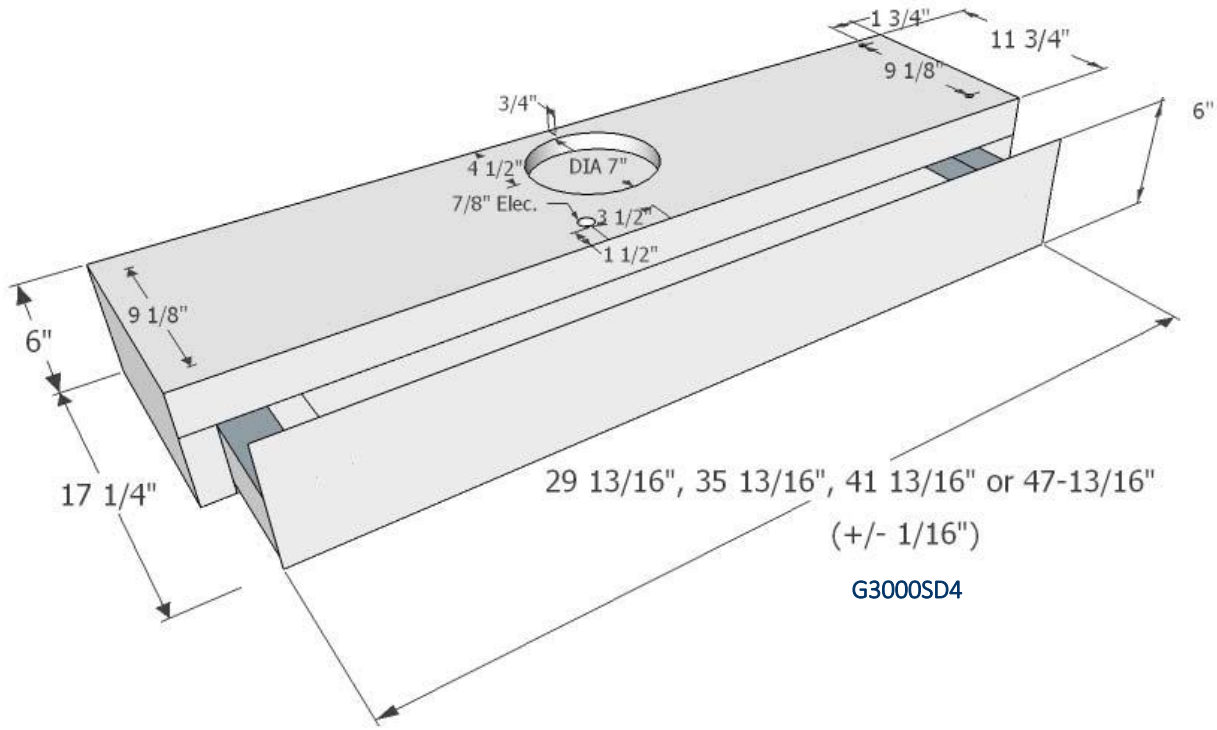
G3000SD4-WH-SS

FEATURES:

- ◆ Variable or Rocker Controls.
- ◆ Lighting: 75 Watt Max Incandescent. (Not Included)
- ◆ Filters: Aluminum Mesh
- ◆ Heat Controlled Thermostat, Fire Safety Controlled. Activates at 130 degrees. (On PS1 model only).
- ◆ Distance Code: UL Tested 36" above cooking surface. SD2 can be mounted at 30".
- ◆ Electrical: 115 AC, 60 Hz, 9 Amps. For proper installation, unit must be hard wired. Suggested use with 15 Amp Circuit.
- ◆ Installation: Included Mounting Screws.



Flush Mount Specifications



SEVEN YEAR, IN HOME, LIMITED WARRANTY, THE BEST IN THE INDUSTRY!

All dimensions are (+/-) 1/16" and are subject to change. Drawings are not to scale.