



Features

- ◆ **Lighting:** Front Panel Lighting: 2x 6.5 Watt LED Included
- ◆ **Heat Sensor:** Fire Safety Thermostat with Automatic turn ON when temp. reaches 130 degrees.
- ◆ **Filters:** Stainless Steel Baffle filters.
- ◆ **Custom:** Custom sizes available. Call with exact dimensions for pricing and delivery time.
- ◆ **Rails:** Decorative Rails available.
- ◆ **Optional Duct Cover:** Made to your specification. See reverse side for calculations.
- ◆ **Optional Modified Wiring:** Wiring for “remote” switch placement. Includes switches & knobs.

Specifications

- ◆ **Power:** Flame Retardant Centrifugal Blowers. 635 to 1425 CFM.
- ◆ **Electrical:** 115 AC, 60 Hz, 9 Amps. Suggested use with 15 Amp circuit.
- ◆ **Stainless Steel:** Complete **Stainless Steel** Construction for Durability and Fire Safety.
- ◆ **Finishes:** Standard: Stainless Steel, White or black powder coat available. **Optional:** Over 60 custom color choices available.
- ◆ **Distance Codes:** Check local city, county and cooking appliance specifications. UL tested at 36” above cooking surface.
- ◆ **Installation:** Under cabinet or wall mount for easy installation.

Warranty

- ◆ **Warranty: 7 Year, In-Home—Parts & Labor. (Best in the Industry!)**
- ◆ No “Performance” Warranty when used above BBQ Style Grills/Griddles. Call to discuss.

MODELS	POWER CFM	MOTOR TYPE	CONTROLS	SONES LOW-HI	DEPTH	DUCT	SIZES
WH1900PSB	635	Dual Blowers	Variable	1.5 - 4.6	24”	Single 7”	30”, 36”, 42”, 48”
WH1900PSB-8	765	Dual Blowers	Variable	1.5 - 4.6	24”	Single 8”	30”, 36”, 42”, 48”
WH1900PSB-K	850	Dual Blowers	Variable	1.5 - 4.6	24”	Single 10”	30”, 36”, 42”, 48”
WH1900PS1-TWB-8	1295	Twin Blowers	Variable	1.5 - 4.6	24”	Two 8”	36” - 60”

Available in Rear Vented Option. Mesh Filters Only—Call for a quote.

Employee Owned
American Made
Since 1961 

Wall Mount Specifications

NOTE

Example: WH1900PSB-8

Vent size 8" round by 3-1/2" high.

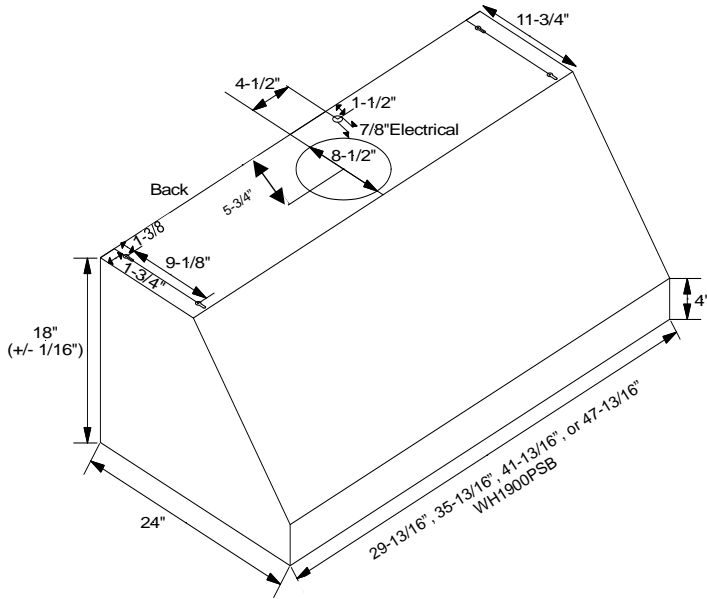
Increase CFM by 20% with 8" vent transition.

Example: WH1900PSB-K

Vent size 10" round by 7" high.

Increase CFM by 35% with 10" vent transition.

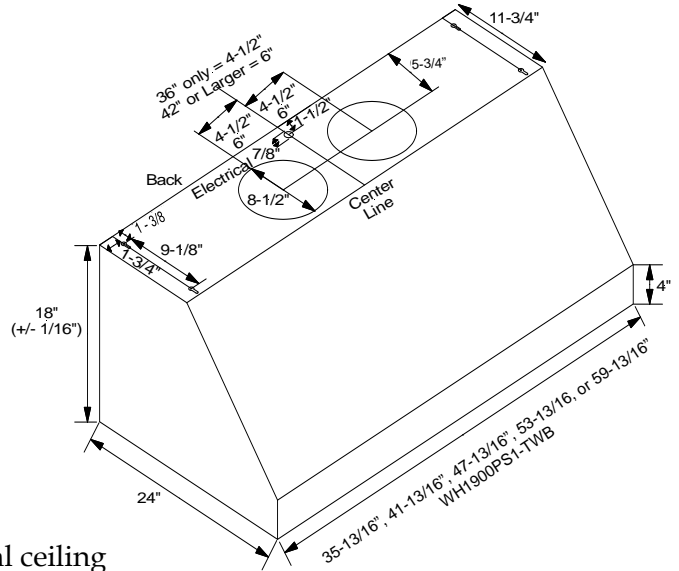
All other dimensions remain the same.



8" Transition
8" Round x 3-1/2" high



10" Transition
10" Round x 7-1/2" high



Ceiling Height = _____
 Counter Height = 36"
 Mounting Height = 36"
 Hood Height = 18"

Subtract counter height and mounting height from total ceiling height, then subtract height of hood. This will give you your stack height.

Example for an 8 foot ceiling: 96" minus – 36" minus – 36" minus – 18" = 6" High Stack

Provide WIDTH & HEIGHT.

WH1900PSB MODELS

Model #: WH-STK-(FINISH)-HEIGHT

11.5" X "Width" X "Height"

FINISH: BL= BLACK, WH=WHITE, SS=STAINLESS STEEL

EXAMPLE: **WH-STK-SS-6"**

WH1900PS1-TWB MODEL

Model #: WHTW-STK-(FINISH)-HEIGHT

11.5" X "Width" X "Height"

FINISH: BL= BLACK, WH=WHITE, SS=STAINLESS STEEL

EXAMPLE: **WHTW-STK-WH-12"**



SEVEN YEAR, IN HOME, LIMITED WARRANTY, THE BEST IN THE INDUSTRY!

All dimensions are (+/-) 1/8" and are subject to change. Drawings are not to scale.