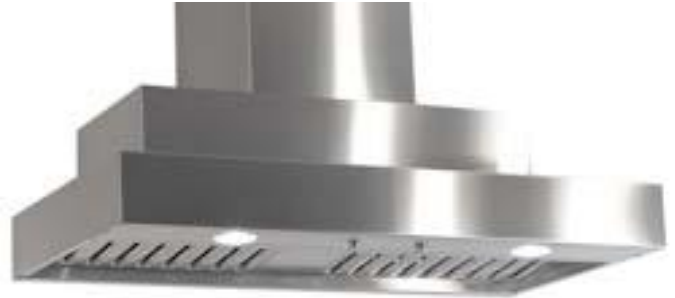


Imperial

Kitchen Ventilation

Contemporary Wall Mount —Pro Style

The power you need. The quiet you want!



Features

- ◆ **Lighting:** Lighting uses 50 Watt Halogen Spots (PAR20). (Bulbs NOT Included)
- ◆ **Heat Sensor:** Fire Safety Thermostat with Automatic turn ON when temp. reaches 130 degrees.
- ◆ **Filters:** Stainless Steel Baffle (10" high) or Aluminum Mesh Filters (6" High).
- ◆ **Duct Cover:** Made to your specifications. See reverse side for stack calculations.
- ◆ **Custom:** Custom sizes available. Call with exact dimensions for pricing and delivery time.
- ◆ **Rails:** Decorative rails available.
- ◆ **Optional Remote Controls:** Remote control wiring available.

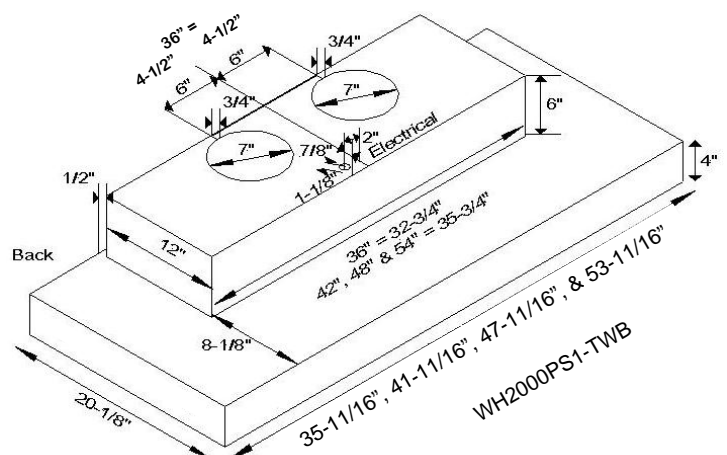
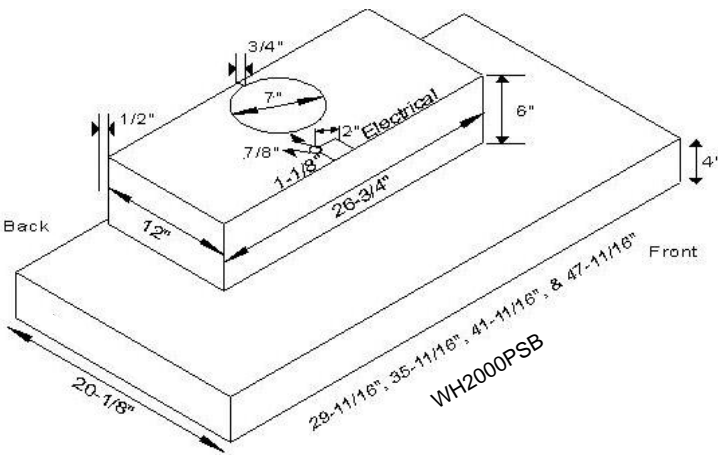
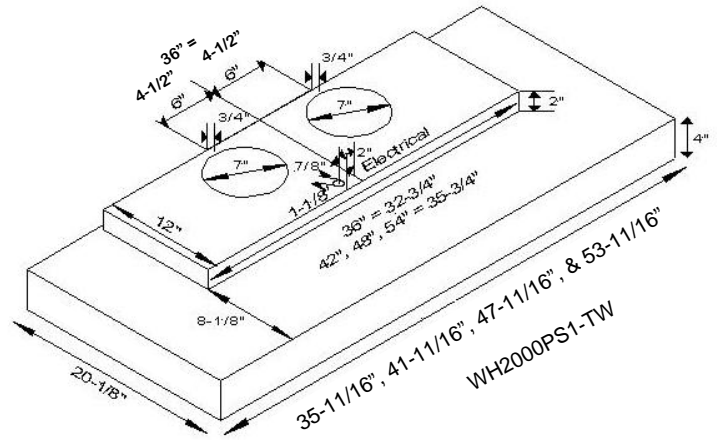
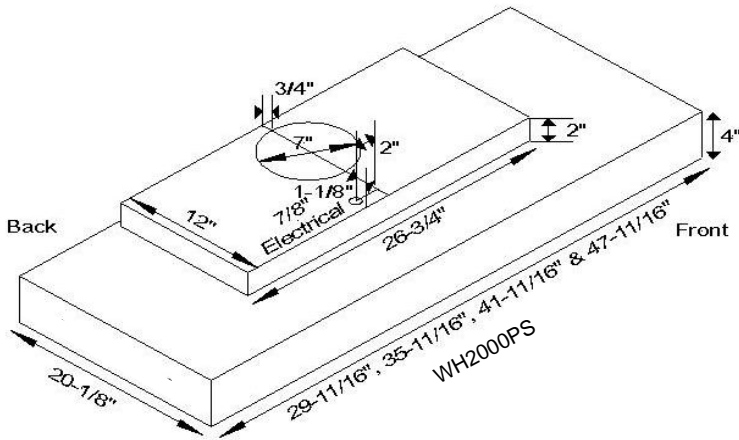
Specifications

- ◆ **Power:** Flame Retardant Centrifugal Blowers. 635 to 1425 CFM.
- ◆ **Stainless Steel:** Complete **Stainless Steel** Construction for Durability and Fire Safety.
- ◆ **Finishes:** Standard: Stainless Steel, White or black powder coat available. **Optional:** Over 60 custom color choices available.
- ◆ **Distance Codes:** Check local city, county and cooking appliance specifications. UL tested at 36" above cooking surface.
- ◆ **Installation:** Includes duct cover made to your specifications for easy installation.
- ◆ **Warranty**
- ◆ **Warranty: 7 Year, In-Home—Parts & Labor.**
- ◆ No "Performance" Warranty when used above BBQ Style Grills, may not be satisfactory in all situations. Call to discuss.

MODELS	POWER CFM	MOTOR TYPE	CONTROLS	SONES LOW—HI	DEPTH	LIGHTS	DUCT	SIZES
WH2000PSB	635	Dual Blowers	Variable	1.6 - 4.6	20"	Front Panel	Single 7"	30", 36", 42" & 48"
WH2000PSB-8	800	Dual Blowers	Variable	1.6 - 4.6	20"	Front Panel	Single 8"	30", 36", 42" & 48"
WH2000PSB-K	925	Dual Blowers	Variable	1.6 - 4.6	20"	Front Panel	Single 10"	30", 36", 42" & 48"
WH200PS1-TWB	1100	Twin Blowers	Variable	1.6 - 4.6	20"	Front Panel	Two 7"	36" to 54"
WH200PS1-TWB-8	1320	Twin Blowers	Variable	1.6 - 4.6	20"	Front Panel	Two 8"	36" to 54"
WH2000PS	735	Dual Blowers	Variable	1.6 - 4.6	20"	Front Panel	Single 7"	30", 36", 42" & 48"
WH2000PS-8	900	Dual Blowers	Variable	1.6 - 4.6	20"	Front Panel	Single 8"	30", 36", 42" & 48"
WH2000PS-K	1000	Dual Blowers	Variable	1.6 - 4.6	20"	Front Panel	Single 10"	30", 36", 42" & 48"
WH2000PS1-TW	1270	Twin Blower	Variable	1.6 - 4.6	20"	Front Panel	Two 7"	36" to 54"
WH2000PS1-TW-8	1425	Twin Blower	Variable	1.6 - 4.6	20"	Front Panel	Two 8"	36" to 54"



Wall Mount Specifications ~ 7" Duct



CEILING HEIGHT = _____
 COUNTER HEIGHT = 36"
 MOUNTING HEIGHT = 36"
 HOOD HEIGHT = 6"

Subtract counter height and mounting height from total ceiling height, then subtract height of hood. This will give you your stack height.

Example for an 8 foot ceiling: 96" minus— 36", minus— 36", minus— 6" = 18" High Stack

WH2000

11.5 x 11.5 x HEIGHT
Example: WH-STK-18"

WH2000-TW

11.5 X 23.5 X HEIGHT
Example: WHTW-STK-18"

Price includes duct cover up to 48". Call for cost on custom sizes over 48"



SEVEN YEAR LIMITED WARRANTY, THE BEST IN THE INDUSTRY!

All dimensions are (+/-) 1/8" and are subject to change. Drawings are not to scale.